

DETAIL E  
MECHANICAL KEY TYPE

1.8V	TYPE 2
2.5V	TYPE 1
POWER SUPPLY	KEY TYPE

NOTES.

- 材質: ハウジング: LCP樹脂, UL94V-0、色: 黒色  
 コンタクト: 銅合金  
 メタルラッチ: ステンレス  
 MATERIAL: HOUSING: LCP, UL94V-0, COLOR: BLACK  
 CONTACT: COPPER ALLOY  
 METAL LATCH: SUS
- メッキ: コンタクト (接点部、半田付け部): 金メッキ 0.0075μm MIN, ニッケル下地 1.5μm MIN.  
 PLATING: CONTACT (CONTACT POINT, SOLDER AREA):  
 Au PLATE 0.0075μm MIN, Ni UNDER PLATE 1.5μm MIN.
- コネクタを平坦面に置き、端子半田付け部の浮きは、0.1mm以下  
 MUST BE MEASURED FLOATING AMOUNT OF CONTACT TAILS  
 FROM DATAM SURFACE IS 0.1mm MAX.

- ※ 標準適用外寸法  
 NOT TO SCALE.
- 公差非累積  
 TOLERANCES NON-CUMULATIVE
- 他社のソケット用  
 FOR SOCKET OF THE OTHER COMPANIES



煜倫股份有限公司

www.morethanall.com

RoHS Compliant

DRAWING BY CY

CHECKED BY GENIUS

UNIT / mm SCALE 1:1

DATE

SIZE A4

TOLERANCES ARE

- X, ±
- .X ±
- .XX ±
- .XXX ±
- ANG ±

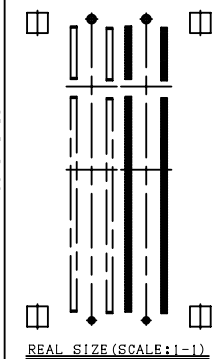
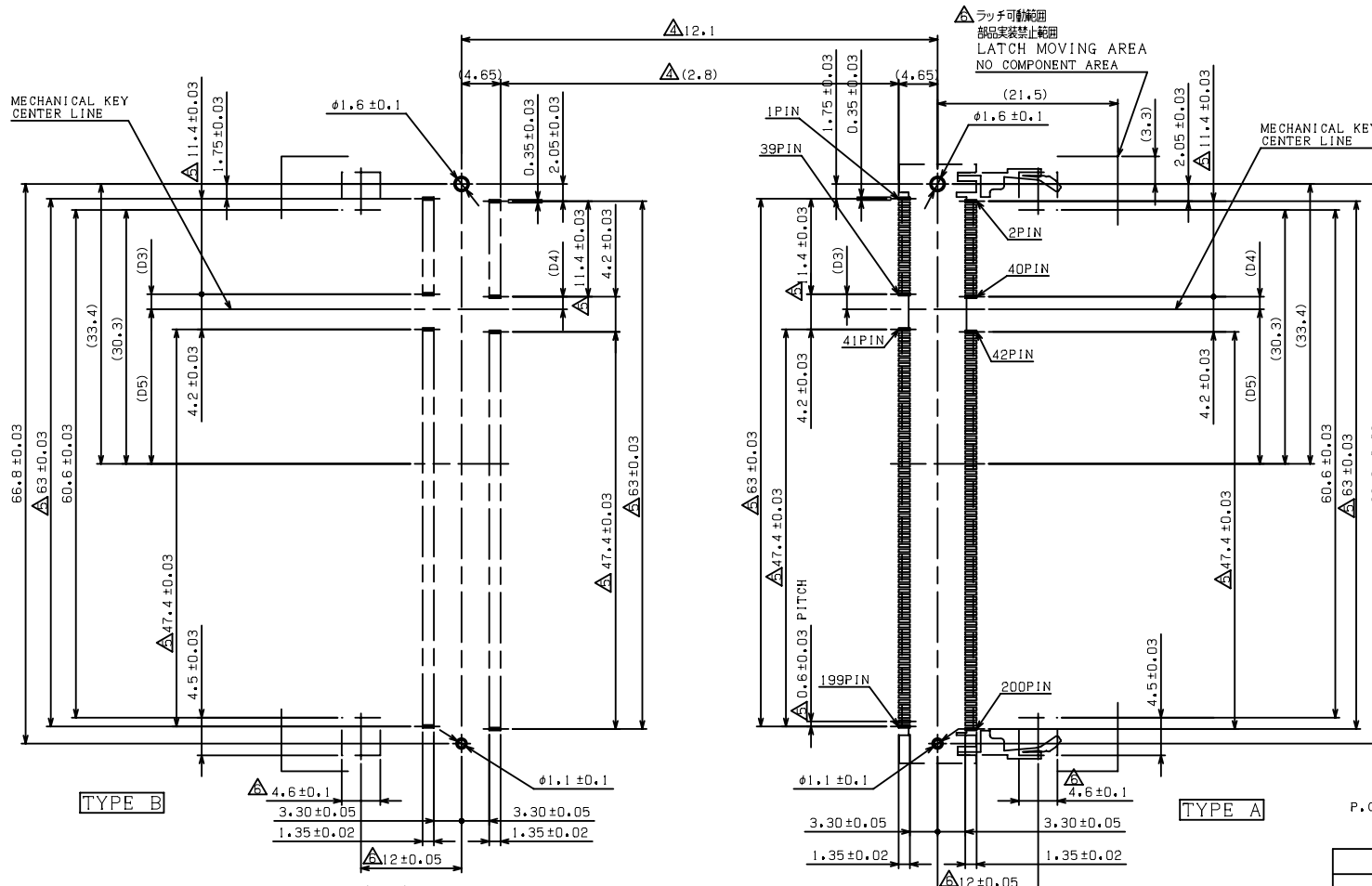
PJECTION

照片框

ORDER INFORMATION

SDM6-W52VxxR-40A6-LF  
 SERIES REEL LEADFREE  
 40+160 WAY  
 90°SMT V18:1.8V V25:2.5V  
 HIGH:5.2mm

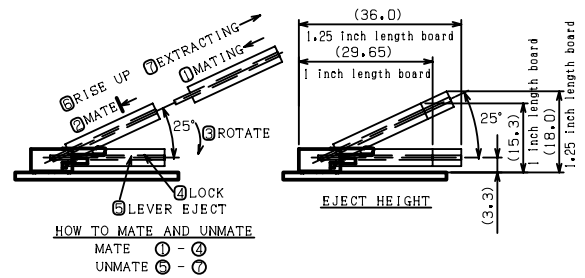
DESCRIPTION:



REAL SIZE (SCALE:1-1)

推奨基板レイアウト寸法  
RECOMMENDED MOUNTING  
P.C. BOARD PATTERN LAYOUT DIM.

1.8V	17.55	2.4	2.7
2.5V	18.45	1.5	1.6
POWER SUPPLY	D5	D4	D3



HOW TO MATE AND UNMATE  
MATE ① - ④  
UNMATE ⑤ - ⑦

RoHS Compliant

TOLERANCES ARE

**MORETHANALL**  
PCB CONNECTORS  
Cable ASSEMBLIES  
**煜倫股份有限公司**

DRAWING BY CY  
CHECKED BY GENIUS  
UNIT / mm SCALE 1:1  
DATE  
SIZE A4

X. ±  
.X ±  
.XX ±  
.XXX ±  
ANG ±



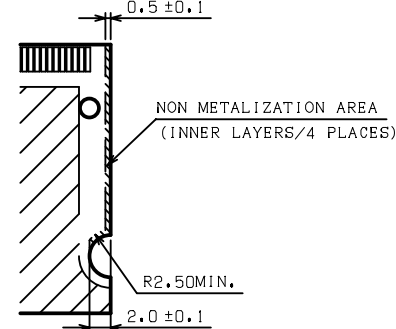
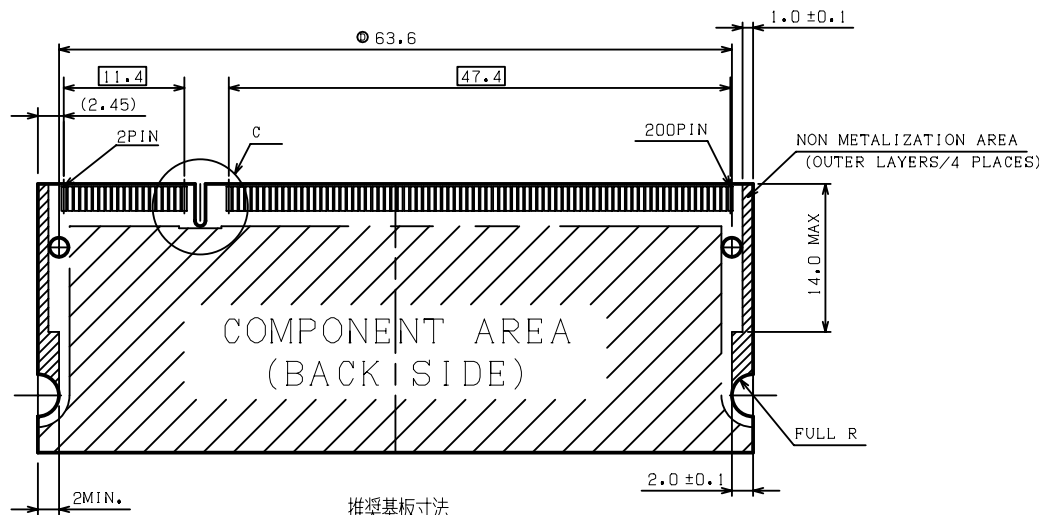
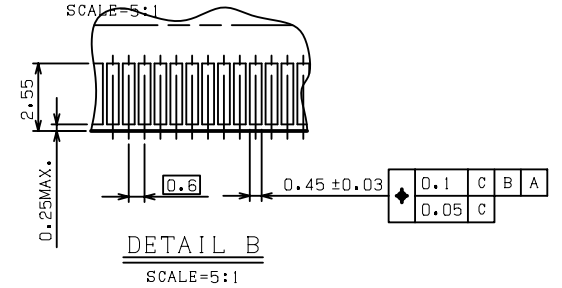
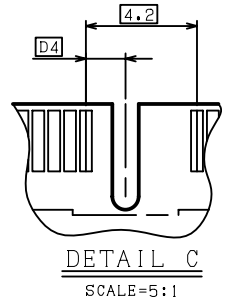
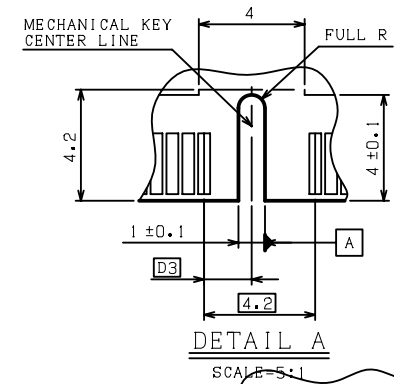
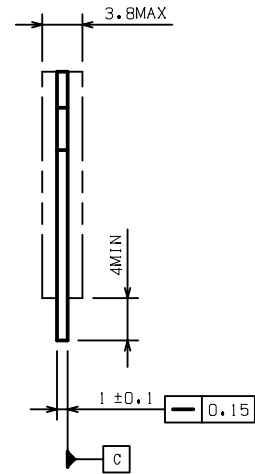
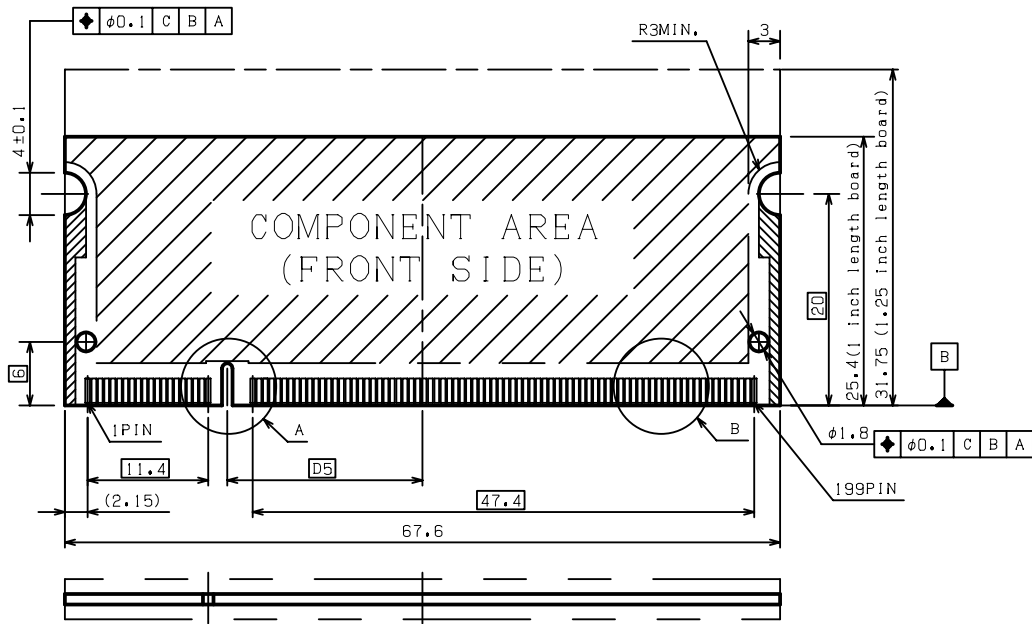
ORDER INFORMATION

**SDM6-W52VxxR-40A6-LF**  
SERIES | LEADFREE  
| 40+160 WAY  
| REEL  
90°SMT | V18:1.8V  
| V25:2.5V  
HIGH:5.2mm

DESCRIPTION:

www.morethanall.com

PJECTION



注記: (SHEET 3 に適用)  
 NOTES: (APPLIED TO SHEET 3)  
 1. 一般公差±0.15  
 TOLERANCES ON ALL DIMENSION ±0.15 UNLESS OTHERWISE SPECIFIED.  
 2. 基板厚寸法は、メッキ厚を含む。  
 P.C. BOARD THICKNESS APPLIES ACROSS TABS AND INCLUDES PLATING AND/OR METALIZATION.  
 3. パット部の仕上げ: ニッケル下地メッキ 0.002MIN. 厚の上、金メッキ 0.000756MIN. 厚を施す。  
 FINISH OF PAD : GOLD PLATING 0.00076MIN. OVER Ni PLATING 0.002MIN.

1.8V	17.55	2.4	2.7
2.5V	18.45	1.5	1.8
POWER SUPPLY	D5	D4	D3

推奨基板寸法  
 RECOMMENDED MATING  
 P.C. BOARD DIM.

RoHS Compliant

TOLERANCES ARE

**MORETHANALL**  
 PCB CONNECTORS  
 Cable ASSEMBLIES

DRAWING BY CY

X, ±

CHECKED BY GENIUS

.X ±

UNIT / mm

SCALE 1:1

.XX ±

DATE

.XXX ±

ANG ±

SIZE A4

P PROJECTION

照片框

ORDER INFORMATION

SDM6-W52VxxR-40A6-LF

SERIES LEADFREE  
 40+160 WAY

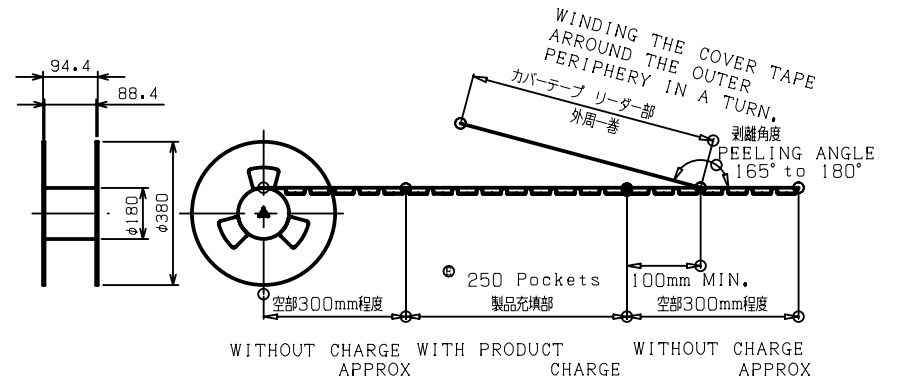
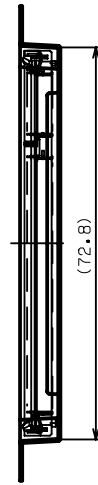
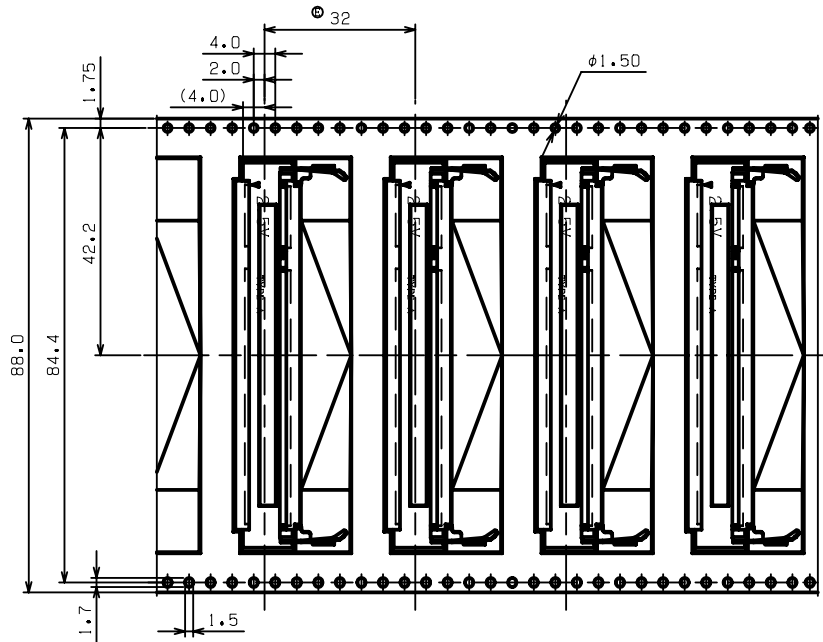
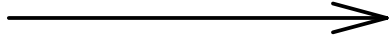
90°SMT REEL  
 V18:1.8V  
 V25:2.5V  
 HIGH:5.2mm

煜倫股份有限公司

www.morethanall.com

DESCRIPTION:

DIRECTION OFF TOP OF REEL



① 250	1.8V
② 250	2.5V
QTY.	POWER SUPPLY

RoHS Compliant

TOLERANCES ARE

**MORETHANALL**  
PCB CONNECTORS  
Cable ASSEMBLIES

DRAWING BY CY

X. ±

CHECKED BY GENIUS

.X ±

UNIT / mm

SCALE 1 : 1

.XX ±

DATE

.XXX ±

ANG ±

SIZE A4

PJECTION

照片框

ORDER INFORMATION

SDM6-W52VxxR-40A6-LF

SERIES | | | LEADFREE  
| | | 40+160 WAY

90°SMT | | REEL  
| | V18:1.8V  
| | V25:2.5V  
| | HIGH:5.2mm

DESCRIPTION:

煜倫股份有限公司

www.morethanall.com