

DETAIL E
MECHANICAL KEY TYPE

1.8V	TYPE 2
2.5V	TYPE 1
POWER SUPPLY	KEY TYPE

NOTES.

- 材質: ハウジング: LCP樹脂, UL94V-0、色: 黒色
 コンタクト: 銅合金
 メタルラッチ: ステンレス
 MATERIAL: HOUSING: LCP, UL94V-0, COLOR: BLACK
 CONTACT: COPPER ALLOY
 METAL LATCH: SUS
- メッキ: コンタクト (接点部, 半田付け部): 金メッキ 0.0075μm MIN, ニッケル下地 1.5μm MIN.
 PLATING: CONTACT (CONTACT POINT, SOLDER AREA):
 Au PLATE 0.0075μm MIN, Ni UNDER PLATE 1.5μm MIN.
- コネクタを平坦面に置き、端子半田付け部の浮きは、0.1mm以下
 MUST BE MEASURED FLOATING AMOUNT OF CONTACT TAILS
 FROM DATAM SURFACE IS 0.1mm MAX.

- ※ 他社適用外寸法
 NOT TO SCALE.
- 公差非累積
 TOLERANCES NON-CUMULATIVE
- 他社のソケット用
 FOR SOCKET OF THE OTHER COMPANIES

RoHS Compliant

TOLERANCES ARE

MORETHANALL
 PCB CONNECTORS
 Cable ASSEMBLIES
煜倫股份有限公司

DRAWING BY CY
 CHECKED BY GENIUS
 UNIT / mm SCALE 1:1
 DATE
 SIZE A4 PPROJECTION

X, ±
 .X ±
 .XX ±
 .XXX ±
 ANG ±

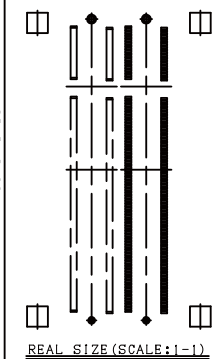
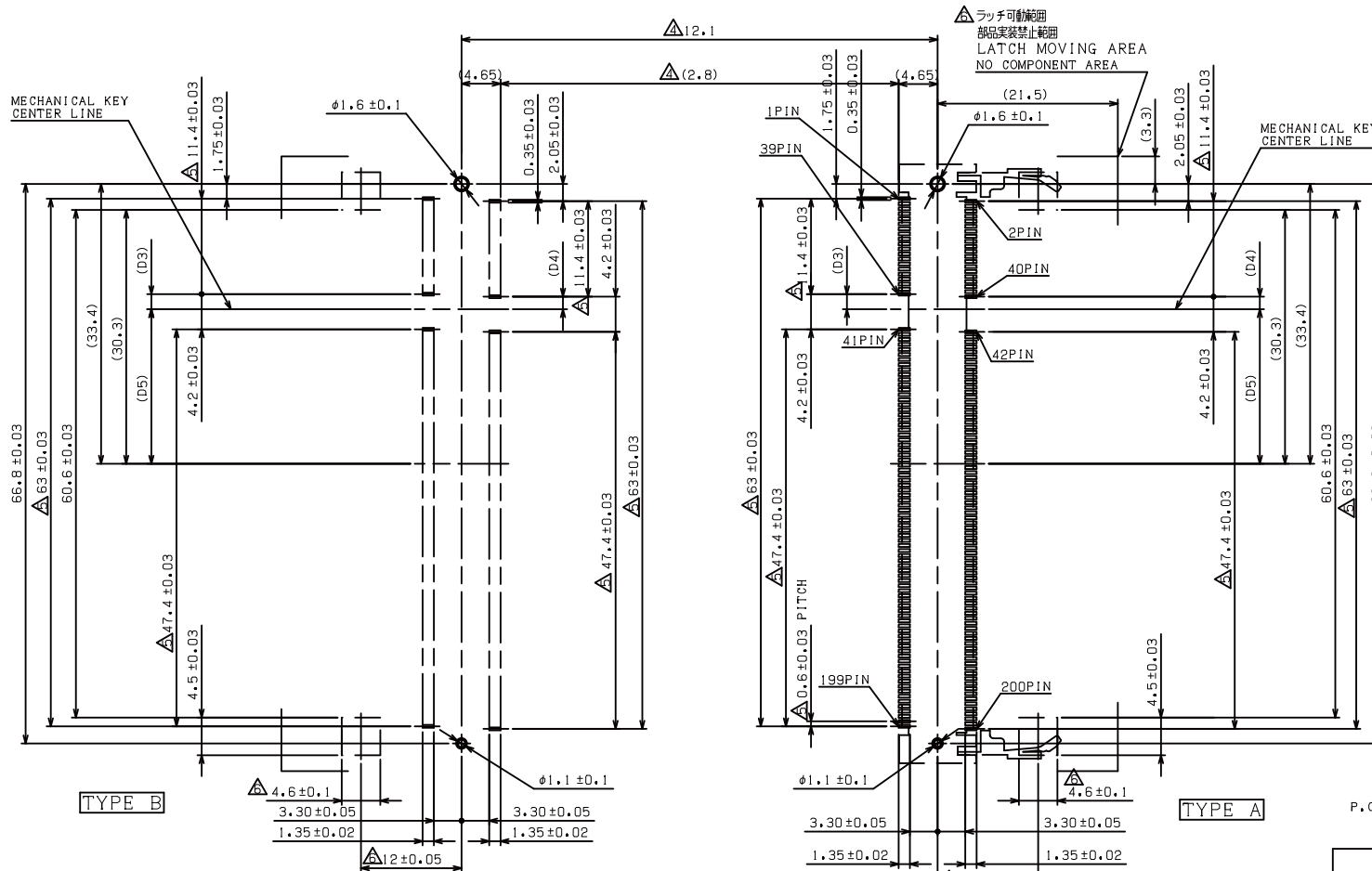


ORDER INFORMATION

SDM6-W52Vxx-40A6-LF
 SERIES | LEADFREE
 | 40+160 WAY
 | V18:1.8V
 | V25:2.5V
 | HIGH:5.2mm
 90°SMT

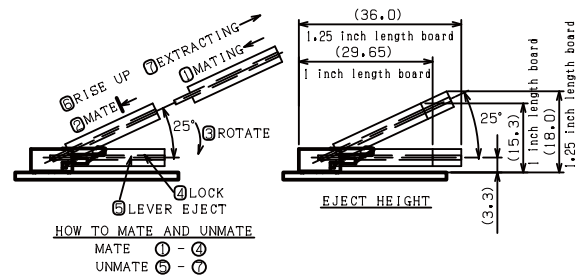
DESCRIPTION:

www.morethanall.com



推奨基板レイアウト寸法
RECOMMENDED MOUNTING
P.C. BOARD PATTERN LAYOUT DIM.

1.8V	17.55	2.4	2.7
2.5V	18.45	1.5	1.6
POWER SUPPLY	D5	D4	D3



RoHS Compliant TOLERANCES ARE

DRAWING BY CY	X. ±
CHECKED BY GENIUS	.X ±
UNIT / mm	.XX ±
SCALE 1:1	.XXX ±
DATE	ANG ±
SIZE A4	PJECTION

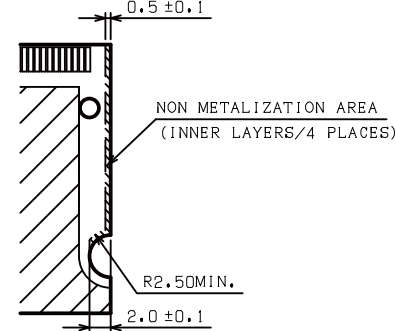
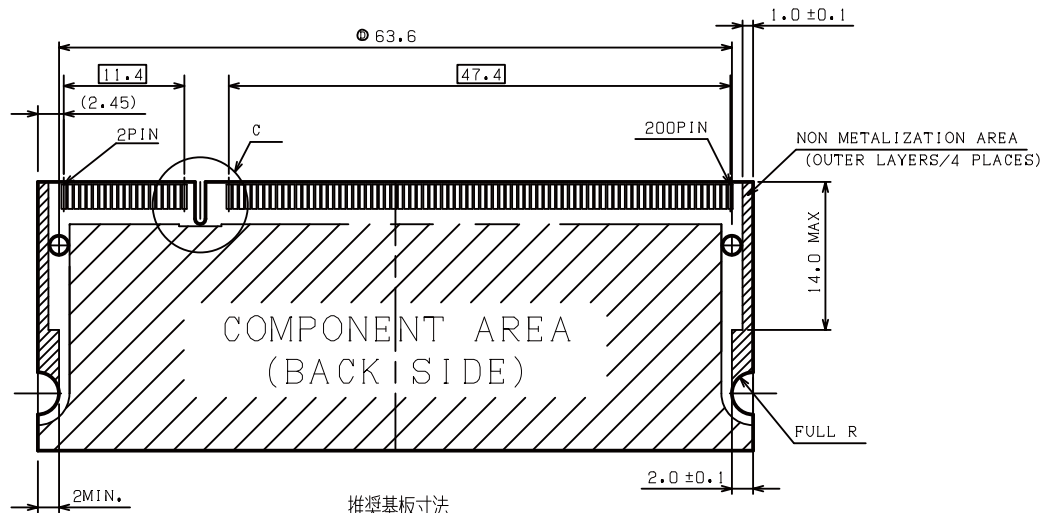
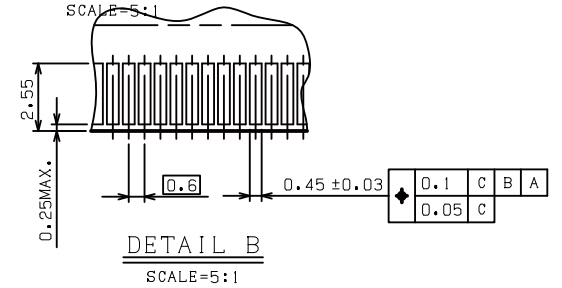
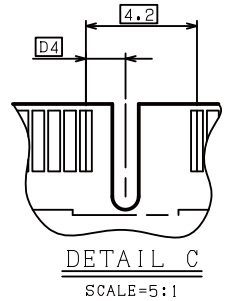
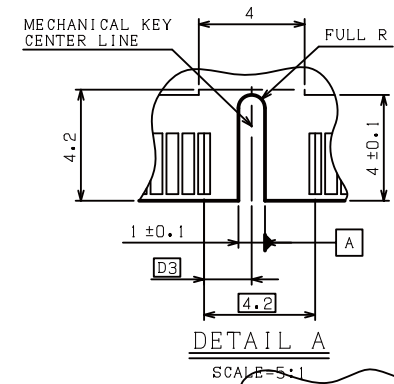
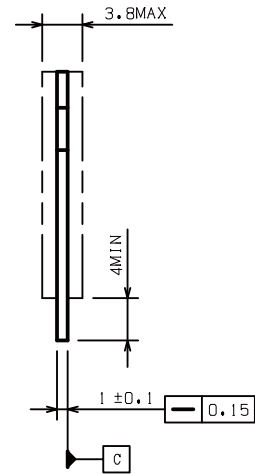
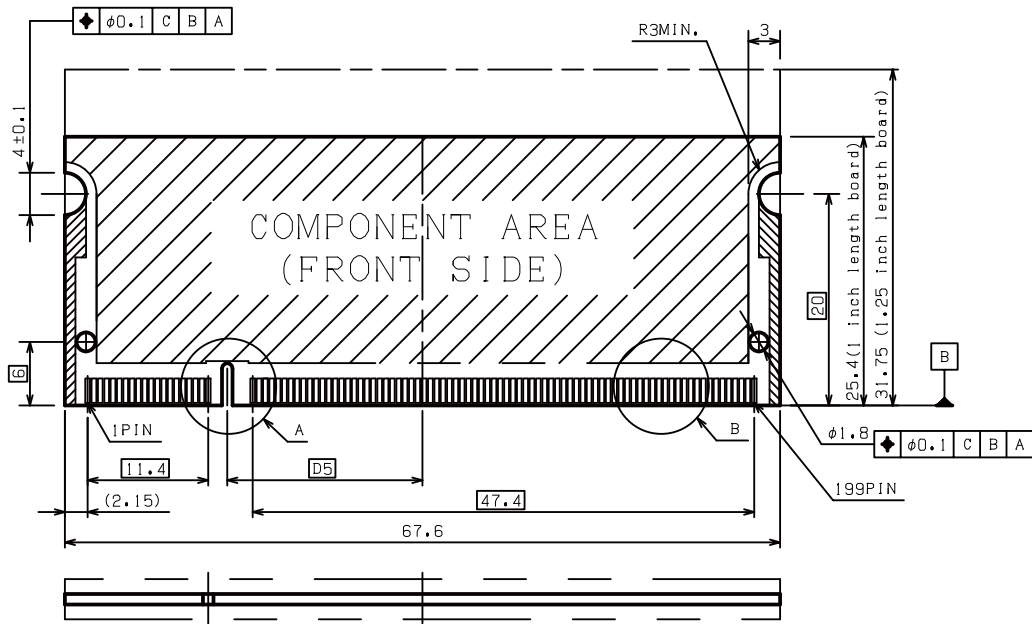


ORDER INFORMATION

SDM6-W52Vxx-40A6-LF
SERIES | LEADFREE
| 40+160 WAY
V18:1.8V
V25:2.5V
HIGH:5.2mm
90°SMT

DESCRIPTION:

MORETHANALL
PCB CONNECTORS
Cable ASSEMBLIES
煜倫股份有限公司
www.morethanall.com



注記: (SHEET 3 に適用)
 NOTES: (APPLIED TO SHEET 3)
 1. 一般公差±0.15
 TOLERANCES ON ALL DIMENSION ±0.15 UNLESS OTHERWISE SPECIFIED.
 2. 基板厚寸法は、メッキ厚を含む。
 P.C. BOARD THICKNESS APPLIES ACROSS TABS AND INCLUDES PLATING AND/OR METALIZATION.
 3. パット部の仕上げ: ニッケル下地メッキ 0.002MIN. 厚の上、金メッキ 0.000756MIN. 厚を施す。
 FINISH OF PAD : GOLD PLATING 0.00076MIN. OVER Ni PLATING 0.002MIN.

1.8V	17.55	2.4	2.7
2.5V	18.45	1.5	1.8
POWER SUPPLY	D5	D4	D3

推奨基板寸法
 RECOMMENDED MATING
 P.C. BOARD DIM.

RoHS Compliant

TOLERANCES ARE

MORETHANALL
 PCB CONNECTORS
 Cable ASSEMBLIES

DRAWING BY CY
 CHECKED BY GENIUS
 UNIT / mm SCALE 1:1
 DATE

X.±
 .X±
 .XX±
 .XXX±
 ANG±



ORDER INFORMATION

SDM6-W52Vxx-40A6-LF

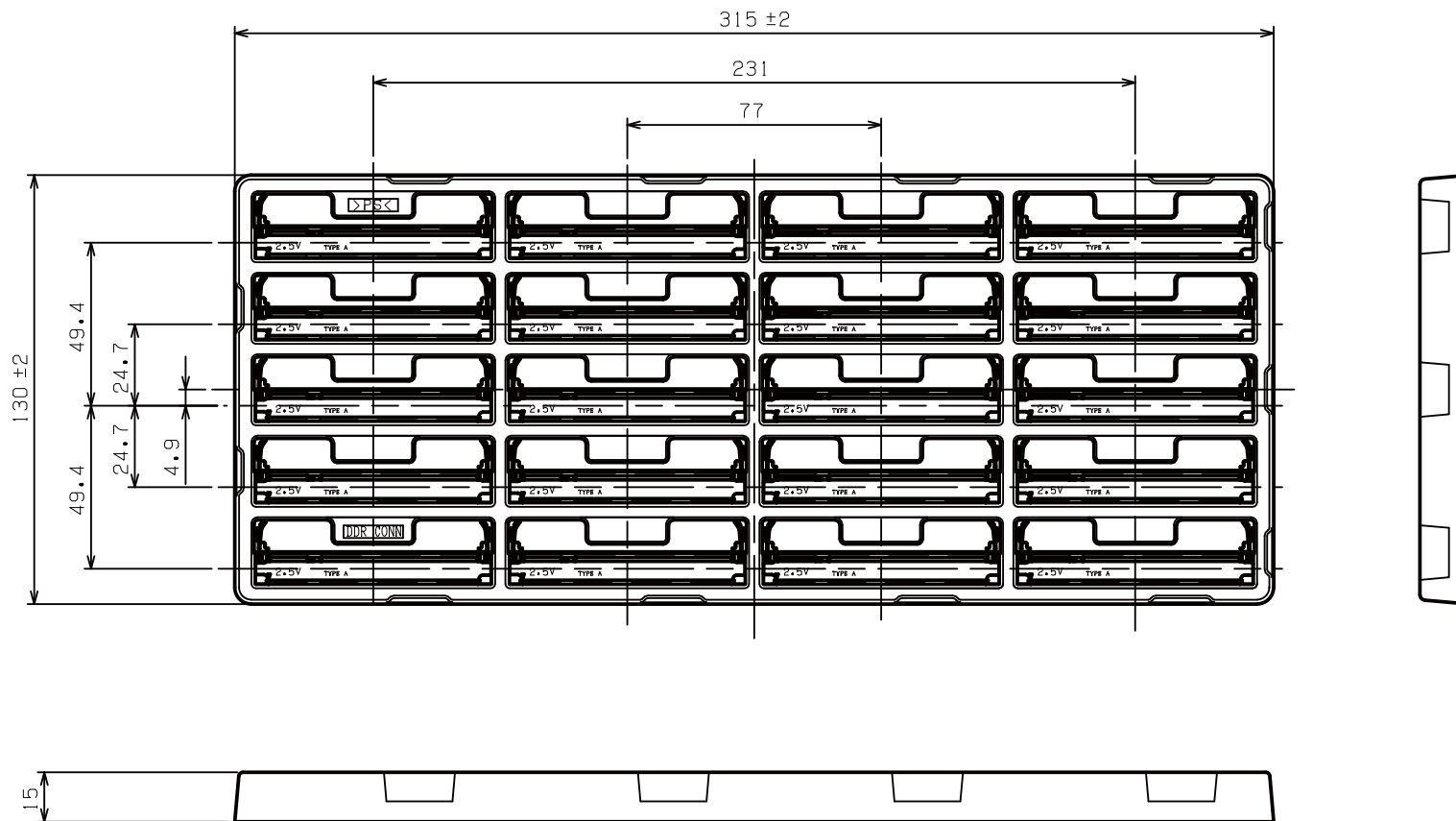
SERIES LEADFREE
 40+160 WAY
 V18:1.8V
 V25:2.5V
 HIGH:5.2mm
 90°SMT

煜倫股份有限公司

www.morethanall.com

SIZE A4 PPROJECTION

DESCRIPTION:



® SOFT TRAY PACKAGING

20	1.8V
20	2.5V
QTY.	POWER SUPPLY

RoHS Compliant

TOLERANCES ARE

MORETHANALL
PCB CONNECTORS
Cable ASSEMBLIES

DRAWING BY CY

X. ±

CHECKED BY GENIUS

.X ±

UNIT / mm SCALE 1:1

.XX ±

DATE

.XXX ±

SIZE A4

PJECTION

ANG ±



ORDER INFORMATION

SDM6-W52Vxx-40A6-LF

SERIES	LEADFREE
V18:1.8V	40+160 WAY
V25:2.5V	
HIGH:5.2mm	
90°SMT	

煜倫股份有限公司

www.morethanall.com

DESCRIPTION: