

POWER SUPPLY 1.8 V  
 DETAIL E  
 MECHANICAL KEY TYPE

NOTES:

1. MATERIAL:

HOUSING: LCP,UL94V-0,COLOR:BLACK  
 CONTACT: COPPER ALLOY  
 METAL LATCH: SUS

△ PLATING:

CONTACT(CONTACT POINT,SOLDER AREA):

Au PLATE 0.3u" MIN ,Ni UNDER PLATE 50u" MIN.

△ MUST BE MEASURED FLOATING AMOUNT OF CONTACT TAILS FROM DATAM SURFACE IS 0.1mm MAX.



△ NOT TO SCALE.

△ TOLERANCES NON-CUMULATIVE

△ FOR SOCKET OF THE OTHER COMPANIES

△ DATE CODE NOTES:

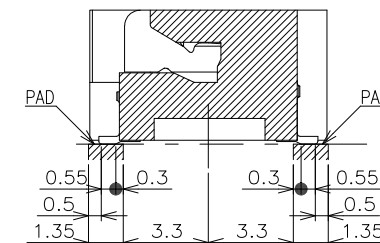
DATE CODE (YWWDD)

Y : YEAR EX:2018

WW : WEEK (01~52)

D : WEEK DAY1 ~ DAY7

EX:8032(2018 第3周 第2天)



RoHS Compliant

TOLERANCES ARE

**MORETHANALL**  
 PCB CONNECTORS  
 Cable ASSEMBLIES

煜倫股份有限公司

www.morethanall.com

DRAWING BY CY

CHECKED BY GENIUS

UNIT / mm SCALE 1 : 1

DATE

SIZE A4

X, ±  
 .X ± 0.20  
 .XX ±  
 .XXX ±  
 ANG ± 3°

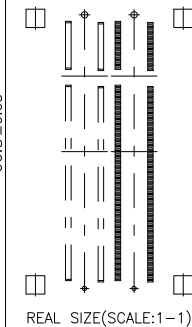
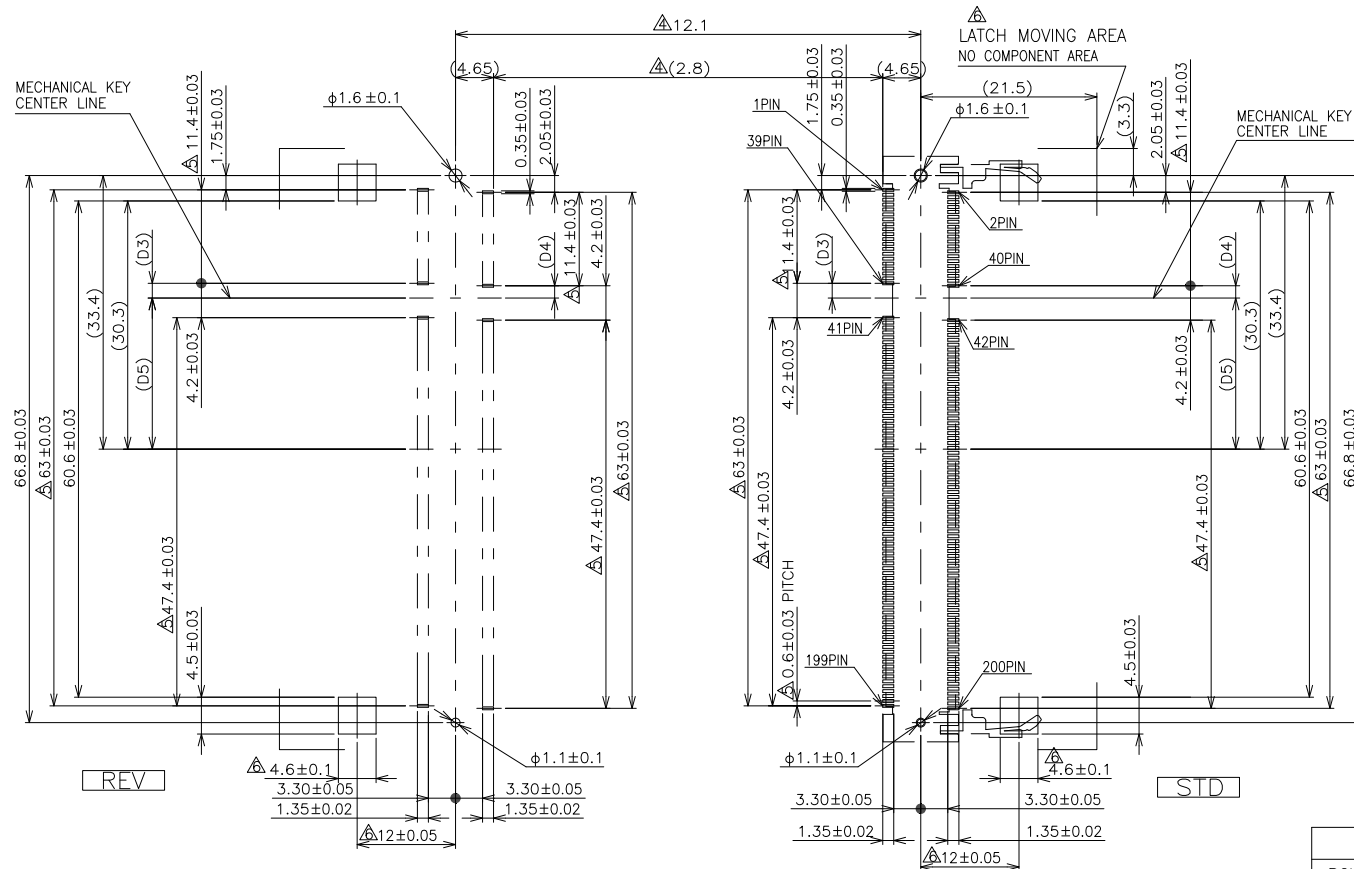
PJECTION

照片框

ORDER INFORMATION

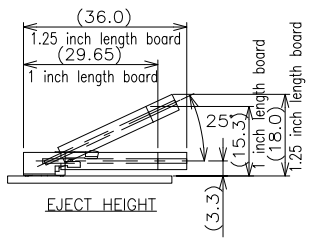
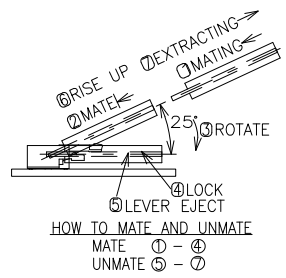
SDM6-W52V18-40A6-LF  
 SERIES | | | LEADFREE  
 | | | 200 WAY  
 | | | 1.8V  
 | | | HIGH 5.2mm  
 | | | 90° SMT

DESCRIPTION: DDR2 S.O DIMM SOCKET 200PIN 5.2H STD TYPE



RECOMMENDED MOUNTING  
P.C. BOARD PATTERN LAYOUT DIM.

1.8V	17.55	2.4	2.7
POWER SUPPLY	D5	D4	D3



RoHS Compliant

TOLERANCES ARE

照片框

ORDER INFORMATION

SDM6-W52V18-40A6-LF  
SERIES | LEADFREE  
1.8V  
HIGH 5.2mm  
90°SMT

**MORETHANALL**  
PCB CONNECTORS  
Cable ASSEMBLIES

煜倫股份有限公司

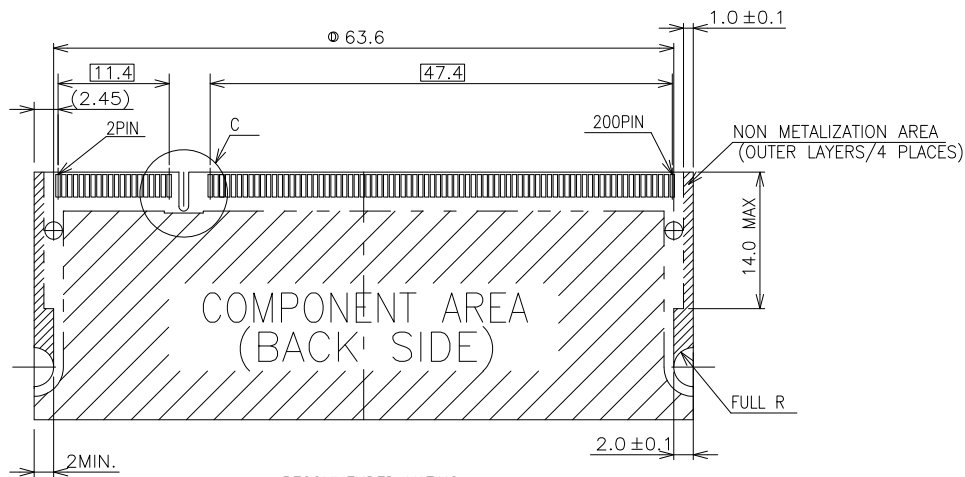
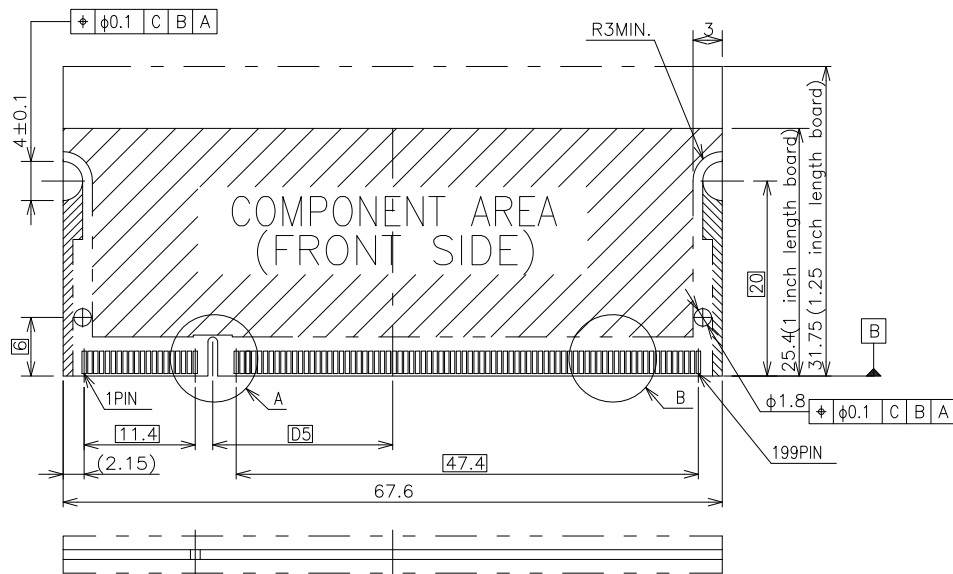
www.morethanall.com

DRAWING BY CY  
CHECKED BY GENIUS  
UNIT / mm SCALE 1 : 1  
DATE  
SIZE A4

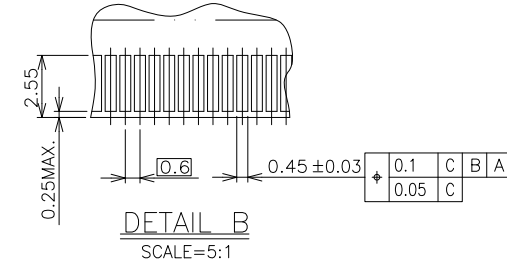
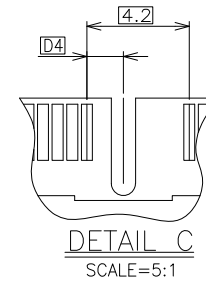
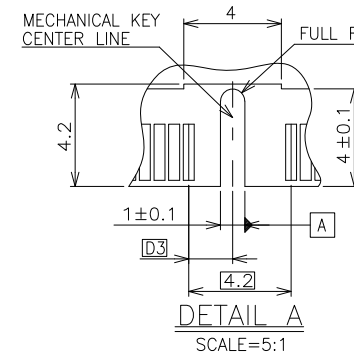
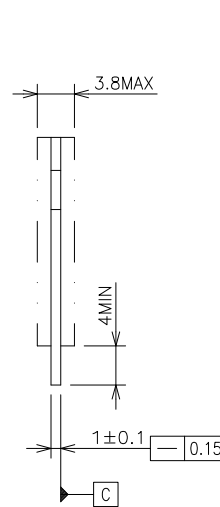
X. ±  
.X ± 0.20  
.XX ±  
.XXX ±  
ANG ± 3°

PJECTION

DESCRIPTION: DDR2 S.O DIMM SOCKET 200PIN 5.2H STD TYPE



RECOMMENDED MATING  
P.C. BOARD DIM.



NOTES;(APPLIED TO SHEET 3)

1. TOLERANCES ON ALL DIMENSION  $\pm 0.15$  UNLESS OTHERWISE SPECIFIED.
2. P.C.BOARD THICKNESS APPLIES ACROSS TABS AND INCLUDES PLATING AND/OR METALIZATION.
3. FINISH OF PAD : GOLD PLATING 0.00076MIN. OVER Ni PLATING 0.002MIN.

1.8V	17.55	2.4	2.7
POWER SUPPLY	D5	D4	D3

RoHS Compliant

TOLERANCES ARE

**MORETHANALL**  
PCB CONNECTORS  
Cable ASSEMBLIES

DRAWING BY CY

X,  $\pm$

CHECKED BY GENIUS

.X  $\pm$  0.20

UNIT / mm

SCALE 1 : 1

.XXX  $\pm$

DATE

ANG  $\pm$  3°

SIZE A4

PJECTION

照片框

ORDER INFORMATION

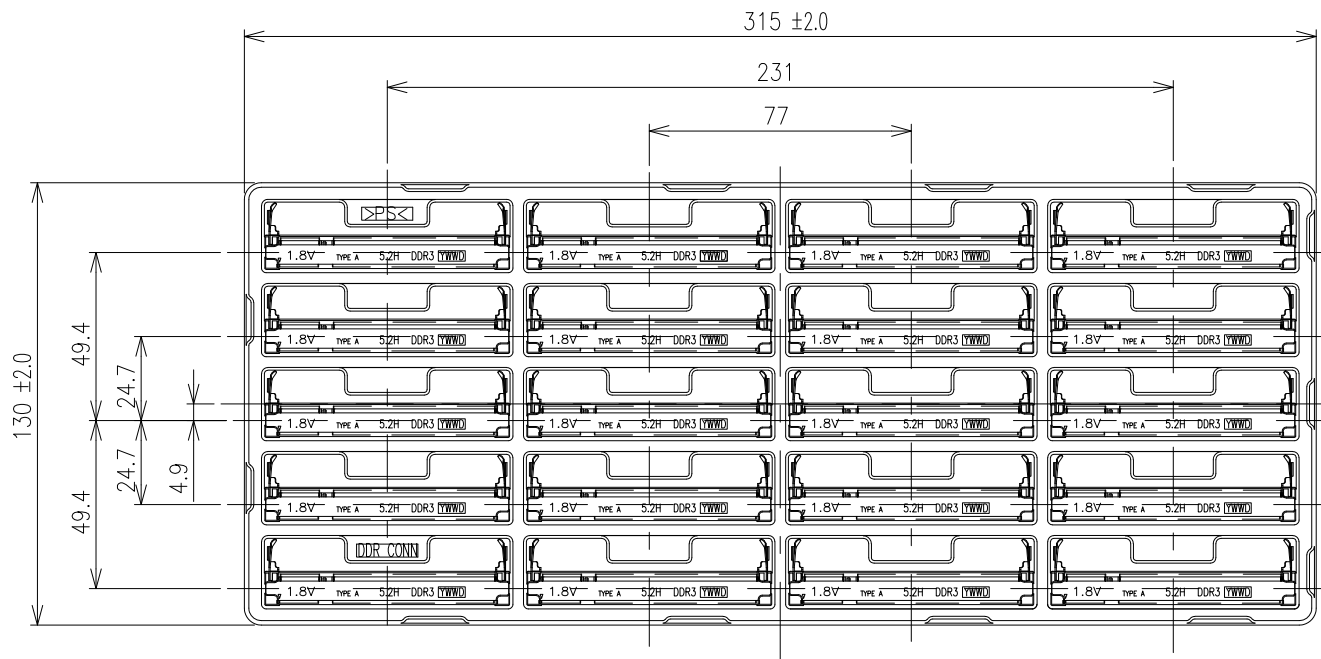
SDM6-W52V18-40A6-LF

SERIES | | | LEADFREE  
| | | 200 WAY  
| | | 1.8V  
| | | HIGH 5.2mm  
| | | 90°SMT

DESCRIPTION: DDR2 S.O DIMM SOCKET 200PIN 5.2H STD TYPE

煜倫股份有限公司

www.morethanall.com



20	1.8V	SDM6-W52V18-40A6
QTY.	POWER SUPPLY	PART NO. OF CONNECTOR

SOFT TRAY PACKAGING

RoHS Compliant

TOLERANCES ARE

**MORETHANALL**  
PCB CONNECTORS  
Cable ASSEMBLIES

DRAWING BY CY

X, ±

CHECKED BY GENIUS

.X ± 0.20

UNIT / mm

SCALE 1 : 1

.XX ±

DATE

.XXX ±

ANG ± 3°

SIZE A4

PJECTION

照片框

ORDER INFORMATION

SDM6-W52V18-40A6-LF

SERIES

|

|

|

|

|

|

|

|

|

|

|

|

|

|

|

LEADFREE

1.8V

200 WAY

HIGH 5.2mm

90° SMT

煜倫股份有限公司

www.morethanall.com

DESCRIPTION: DDR2 S.O DIMM SOCKET 200PIN 5.2H STD TYPE