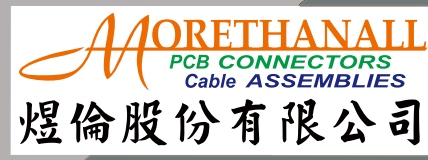


NOTES.

- 1. 材質: ハウジング: LCP樹脂, UL94V-0, 色: 黒色
 コンタクト: 銅合金
 メタルラッチ: ステンレス
 MATERIAL: HOUSING: LCP, UL94V-0, COLOR: BLACK
 CONTACT: COPPER ALLOY
 METAL LATCH: SUS
- △ メッキ: コンタクト (接点部, 半田付け部); 金メッキ 0.0075μm MIN, ニッケル下地 1.5μm MIN.
 PLATING: CONTACT (CONTACT POINT, SOLDER AREA):
 Au PLATE 0.0075μm MIN, Ni UNDER PLATE 1.5μm MIN.
- △ コネクタを平坦面に置き、端子半田付け部の浮きは、0.1mm以下
 MUST BE MEASURED FLOATING AMOUNT OF CONTACT TAILS
 FROM DATAM SURFACE IS 0.1mm MAX.
- △ 倍率適用外寸法
 NOT TO SCALE.
- △ 公差非累積
 TOLERANCES NON-CUMULATIVE
- △ 他社のソケット用
 FOR SOCKET OF THE OTHER COMPANIES

RoHS Compliant

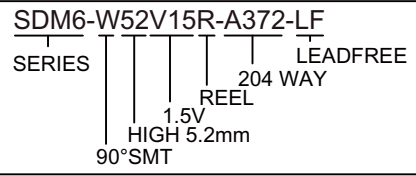
TOLERANCES ARE



DRAWING BY CY		X, ± .X ± 0.20
CHECKED BY GENIUS		
UNIT / mm	SCALE 1 : 1	.XX ±
DATE		.XXX ±
		ANG ± 3°
SIZE A4	PJECTION	

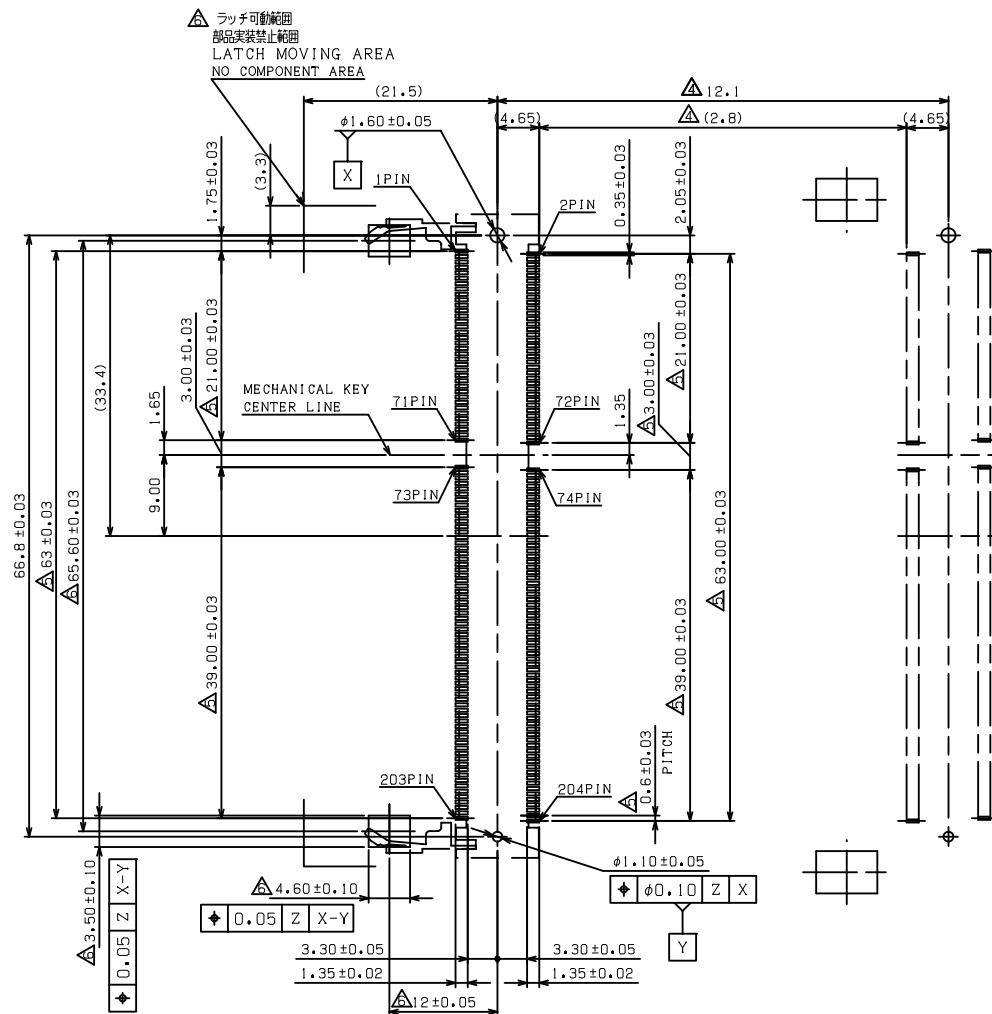
照片框

ORDER INFORMATION

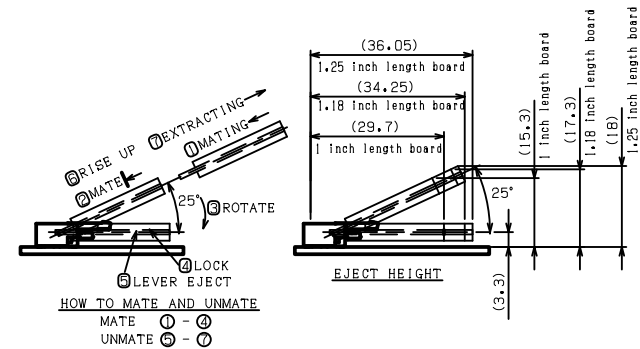


DESCRIPTION: FOR 204PIN DDR S.O DIMM(DDR3)

www.morethanall.com



推奨基板レイアウト寸法
RECOMMENDED MOUNTING
P.C. BOARD PATTERN LAYOUT DIM.



MORETHANALL
PCB CONNECTORS
Cable ASSEMBLIES
煜倫股份有限公司

www.morethanall.com

RoHS Compliant

DRAWING BY CY
CHECKED BY GENIUS
UNIT / mm SCALE 1 : 1
DATE
SIZE A4

TOLERANCES ARE
X, ±
.X ± 0.20
.XX ±
.XXX ±
ANG ± 3°

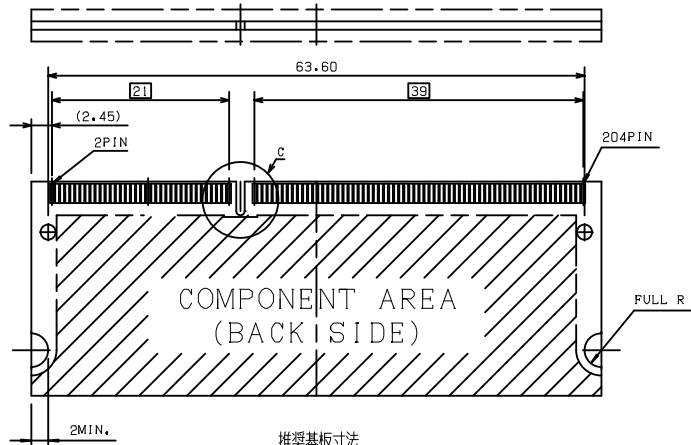
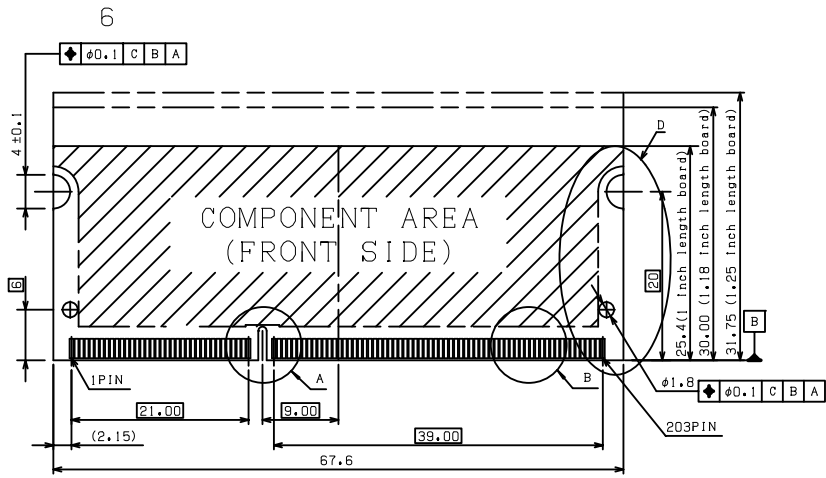


照片框

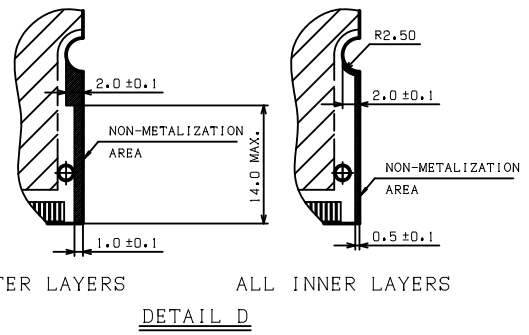
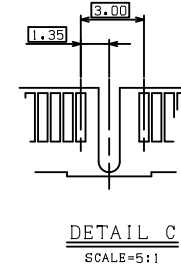
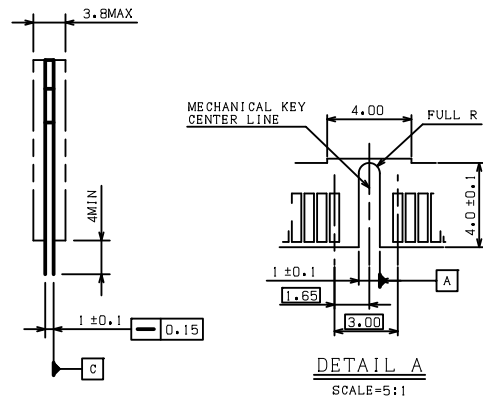
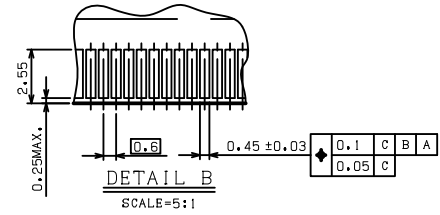
ORDER INFORMATION

SDM6-W52V15R-A372-LF
SERIES REEL LEADFREE
204 WAY
1.5V HIGH 5.2mm
90°SMT

DESCRIPTION: FOR 204PIN DDR S.O DIMM(DDR3)



推奨基板寸法
RECOMMENDED MATING
P.C. BOARD DIM.



注記: (SHEET 3 に適用)
NOTES: (APPLIED TO SHEET 3)
1. 一般公差 ± 0.15
TOLERANCES ON ALL DIMENSION ± 0.15 UNLESS OTHERWISE SPECIFIED.
2. 基板厚寸法は、メッキ厚を含む。
P.C. BOARD THICKNESS APPLIES ACROSS TABS AND INCLUDES PLATING AND/OR METALIZATION.
3. パット部の仕上げ: ニッケル下地メッキ 0.002MIN, 厚の上げ、金メッキ 0.000756MIN, 厚を施す。
FINISH OF PAD: GOLD PLATING 0.00076MIN, OVER NI PLATING 0.002MIN.

RoHS Compliant

MORETHANALL
PCB CONNECTORS
Cable ASSEMBLIES

煜倫股份有限公司

www.morethanall.com

DRAWING BY CY		TOLERANCES ARE X, ± .X ± 0.20 .XX ± .XXX ± ANG ± 3°
CHECKED BY GENIUS		
UNIT / mm	SCALE 1 : 1	
DATE		
SIZE A4	PJECTION	

照片框

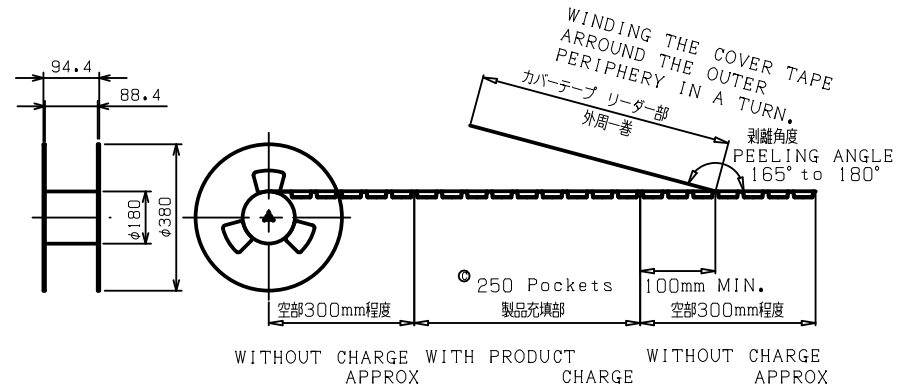
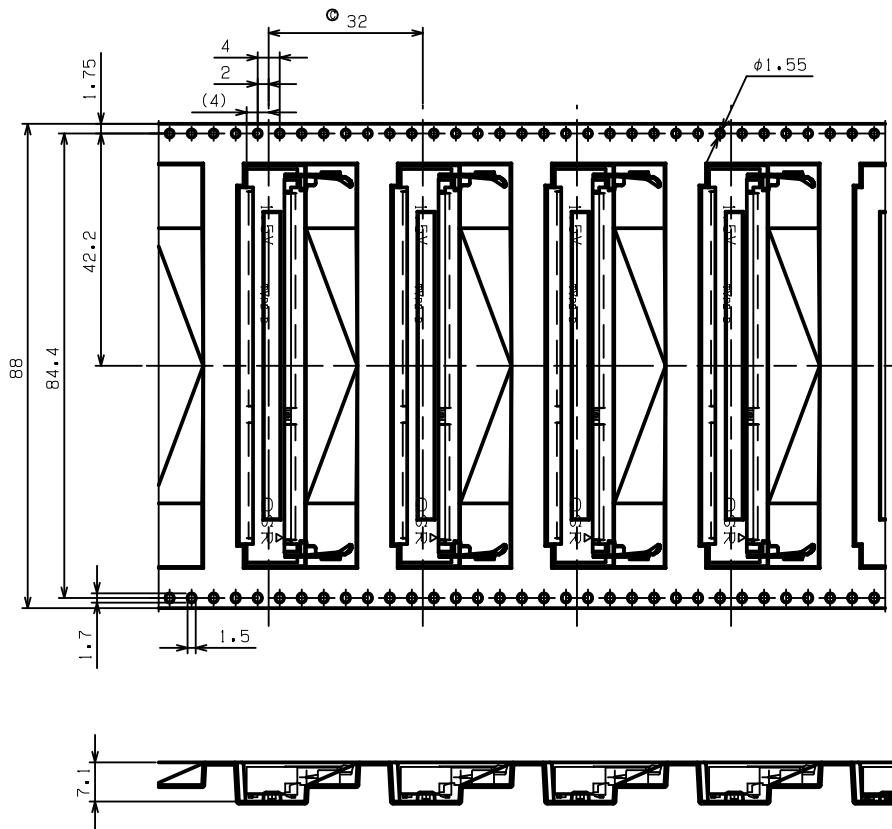
ORDER INFORMATION

SDM6-W52V15R-A372-LF

SERIES | REEL | LEADFREE
1.5V | 204 WAY
HIGH 5.2mm | 90°SMT

DESCRIPTION: FOR 204PIN DDR S.O DIMM(DDR3)

DIRECTION OFF TOP OF REEL



QTY: 250

RoHS Compliant

TOLERANCES ARE

MORETHANALL
PCB CONNECTORS
Cable ASSEMBLIES

煜倫股份有限公司

www.morethanall.com

DRAWING BY CY

CHECKED BY GENIUS

UNIT / mm

SCALE 1:1

DATE

SIZE A4

X, ±
.X ± 0.20
.XX ±
.XXX ±
ANG ± 3°

PJECTION

照片框

ORDER INFORMATION

SDM6-W52V15R-A372-LF

SERIES | REEL | LEADFREE
| 1.5V | 204 WAY
| HIGH 5.2mm |
90°SMT

DESCRIPTION: FOR 204PIN DDR S.O DIMM(DDR3)