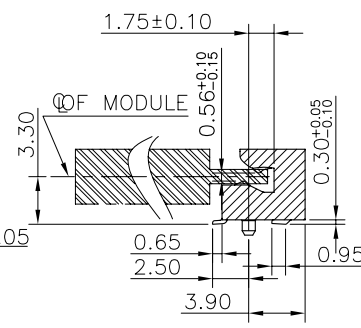
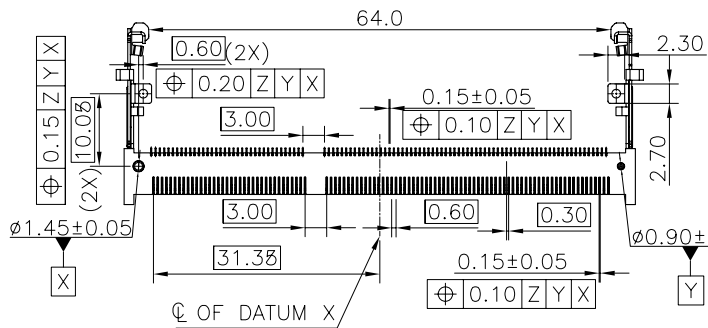
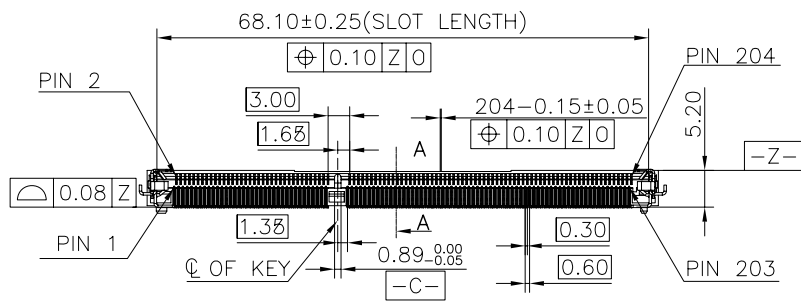


NOTES:

- MATERIAL SPECIFICATION:
 - HOUSING: LCP+40%GF, UL94V-0, COLOR:SEE TABLE.
 - CONTACT:COPPER ALLOY_C7025.
 - LATCH: STAINLESS STEEL-SUS301.
- PLATING SPECIFICATION:
 - CONTACT: 50u" MIN.NICKEL UNDER PLATING OVER ALL. GOLD FLASH ON SOLDER AREA. GOLD PLATING ON CONTACT AREA.(DETAIL SEE TABLE)
 - LATCH: 50u" MIN. NICKEL UNDER PLATING OVER ALL . 80u" MIN. MATTE TIN PLATING ON SOLDER AREA.
- HF COMPLIANT.
- MECHANICAL PERFORMANCE:
 - DURABILITY: 25 CYCLES.
- ELECTRICAL PERFORMANCE:
 - CURRENT: 0.5A MAX. PER PIN.
 - LLCR: INITIAL 30mΩ MAX. ; FINAL ΔLLCR=10mΩ MAX..
 - INSULATION RESISTANCE: DC 100V 500MΩ MIN..
- RESISTANCE TO HEAT: THE TEMPERATURE SHALL BE 260±5° C MAINTAINING 10±1 SECONDS.



SECTION A-A
SCALE (2:1)

RoHS Compliant

TOLERANCES ARE



煜倫股份有限公司

www.morethanall.com

DRAWING BY CY

CHECKED BY GENIUS

UNIT / mm

SCALE 1:1

DATE

SIZE A4

PJECTION

X, ±
.X ± 0.35
.XX ± 0.25
.XXX ± 0.15
ANG ±

照片框

ORDER INFORMATION

SDM6-W52V15CFC-A372-LF

SERIES

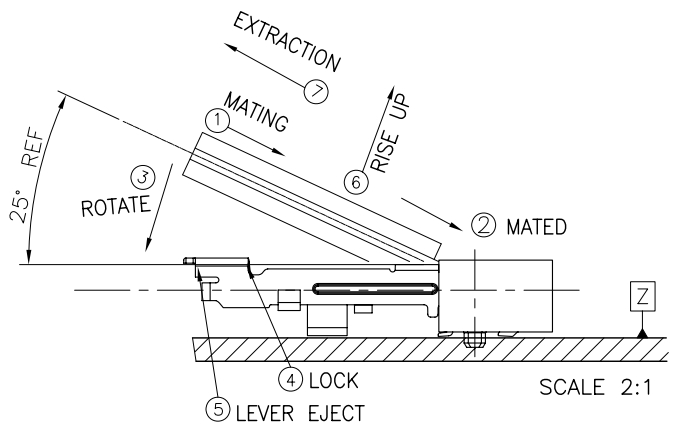
1.5V

HIGH 5.2mm

90°SMT

LEADFREE
204 WAY
COMPACT FOOTPRINT

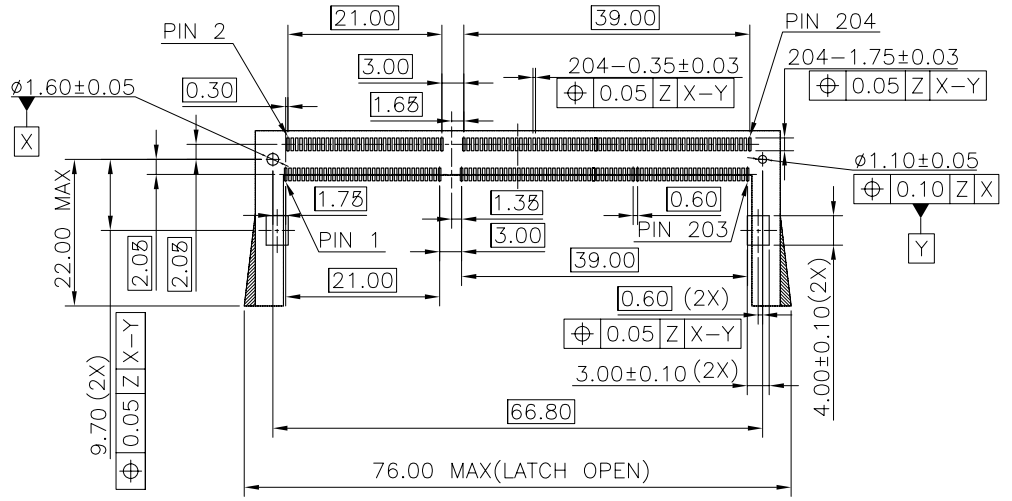
DESCRIPTION: CFC SODDR3 5.2H RVS TYPE ;HF



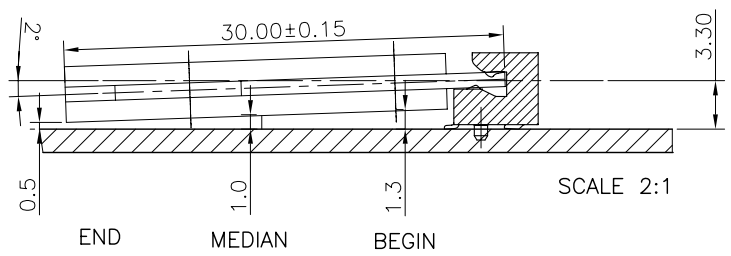
HOW TO MATE AND UNMATE

- MATE: ① → ④
 UNMATE: ⑤ → ⑦

25° REF. MODULE INSERTION ANGLE TO ENGAGE LATCH



RECOMMENDED PCB LAYOUT(TOP VIEW)
 DEFAULT TOLERANCE ±0.05MM



MAX. MODULE HEIGHT=30.15MM		
END	MEDIAN	BEGIN
0.50	1.00	1.30

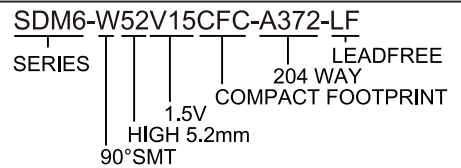
2° MAX. MODULE OVERLOAD ANGLE TO ENGAGE LATCH.
 MAXIMUM RECOMMENDED COMPONENT HEIGHT ALLOWED ON MOTHERBOARD.

RoHS Compliant

TOLERANCES ARE
 X. ±
 .X ± 0.35
 .XX ± 0.25
 .XXX ± 0.15
 ANG ±

照片框

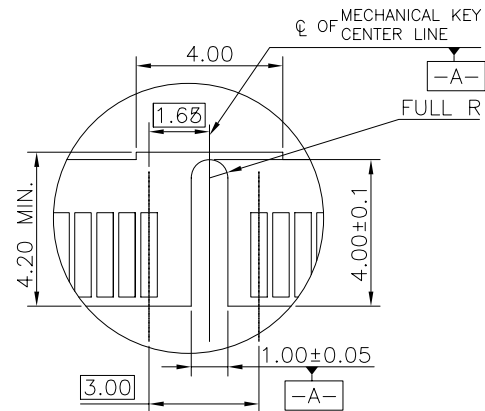
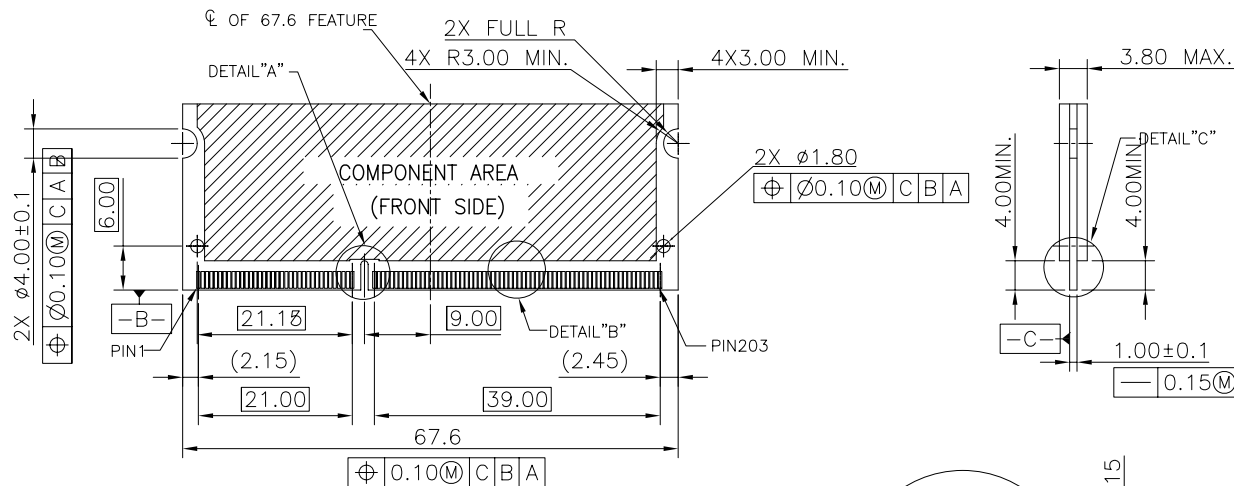
ORDER INFORMATION



DESCRIPTION: CFC SODDR3 5.2H RVS TYPE ;HF

MORETHANALL
 PCB CONNECTORS
 Cable ASSEMBLIES
 煜倫股份有限公司
 www.morethanall.com

DRAWING BY CY
 CHECKED BY GENIUS
 UNIT / mm SCALE 1 : 1
 DATE
 SIZE A4 PPROJECTION



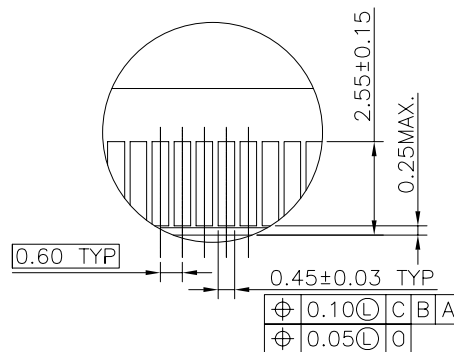
DETAIL A
SCALE 5:1

RECOMMENDED MATING P.C.B CONFIGURATION
 RECOMMENDED P.C.B THICKNESS: 1.00±0.05MM
 DEFAULT TOLERANCE ±0.05MM

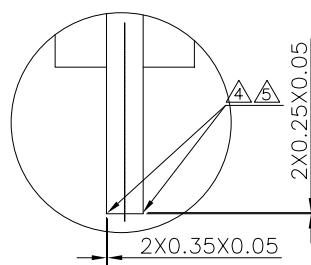
NOTES:

- 1.PCB THICKNESS APPLIES ACROSS TABS AND INCLUDES PLATING AND/OR METALIZATION.
- 2.FINISH OF PAD: Au PLATING 0.76um MIN. OVER Ni PLATING 2um MIN.
- 3.NO BURR.
- 4.CHAMFER 0.25mm MAX. X 45° IF EXIST.

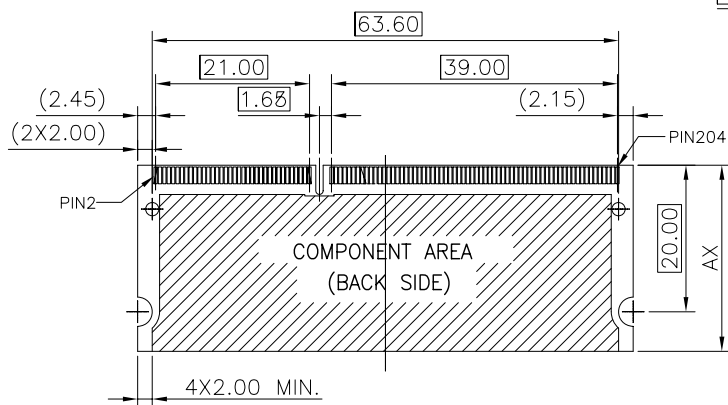
SDRAM VARIATIONS			
"A" DIMENSION	A1	A2	A3
MIN.	25.25	29.85	31.60
NOMINAL	25.40	30.00	31.75
MAX.	25.55	30.15	31.90



DETAIL B
SCALE 5:1



DETAIL 'C'
SCALE 5:1



RoHS Compliant

TOLERANCES ARE

MORETHANALL
 PCB CONNECTORS
 Cable ASSEMBLIES

DRAWING BY CY

X, ±
 .X ± 0.35
 .XX ± 0.25
 .XXX ± 0.15
 ANG ±

CHECKED BY GENIUS

UNIT / mm SCALE 1:1

DATE

SIZE A4

PJECTION

照片框

ORDER INFORMATION

SDM6-W52V15CFC-A372-LF

SERIES

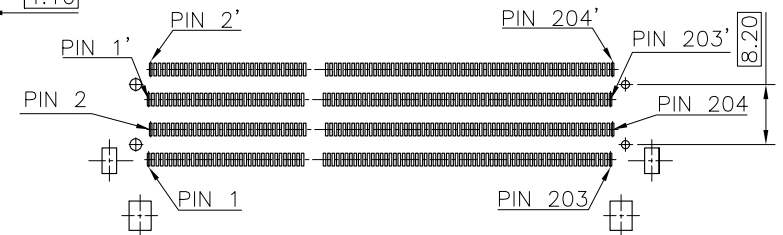
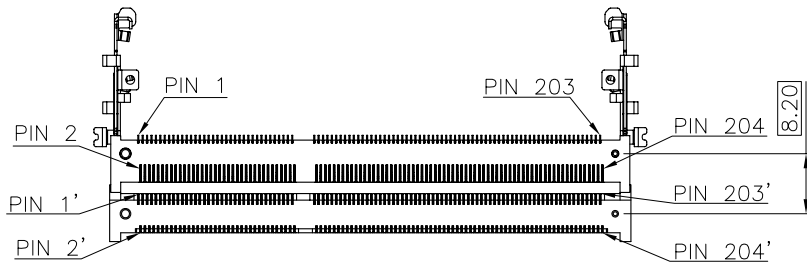
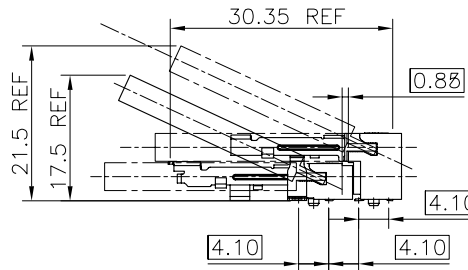
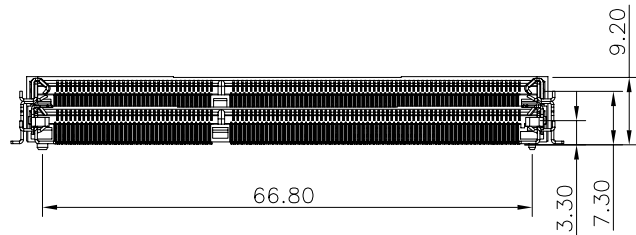
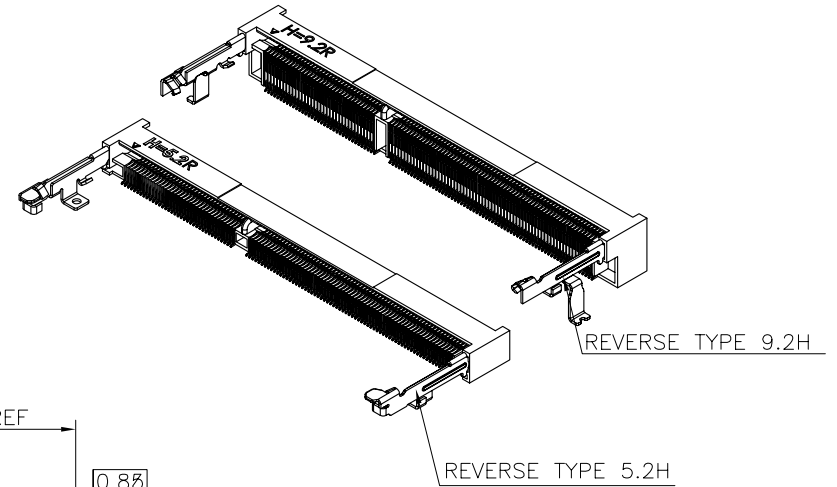
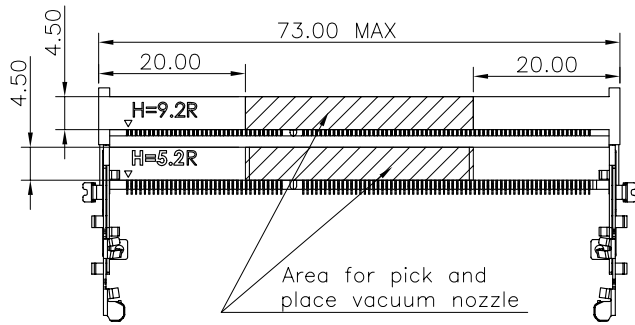
1.5V
 HIGH 5.2mm
 90°SMT

LEADFREE
 204 WAY
 COMPACT FOOTPRINT

煜倫股份有限公司

www.morethanall.com

DESCRIPTION: CFC SODDR3 5.2H RVS TYPE ;HF



RECOMMENDED PCB LAYOUT(TOP VIEW)
DEFAULT TOLERANCE $\pm 0.05\text{MM}$

STACKED REVERSE ORIENTATION

RoHS Compliant

TOLERANCES ARE

MORETHANALL
PCB CONNECTORS
Cable ASSEMBLIES

DRAWING BY CY

CHECKED BY GENIUS

UNIT / mm

SCALE 1 : 1

DATE

SIZE A4

PPOJECTION

X, \pm
.X ± 0.35
.XX ± 0.25
.XXX ± 0.15
ANG \pm

照片框

ORDER INFORMATION

SDM6-W52V15CFC-A372-LF

SERIES

1.5V
HIGH 5.2mm
90°SMT

LEADFREE
204 WAY
COMPACT FOOTPRINT

煜倫股份有限公司

www.morethanall.com

DESCRIPTION: CFC SODDR3 5.2H RVS TYPE ;HF