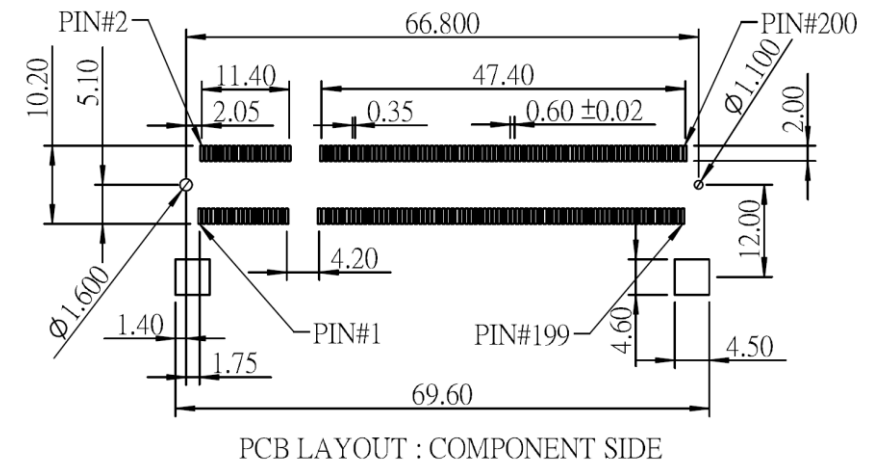
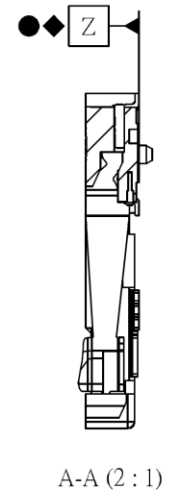
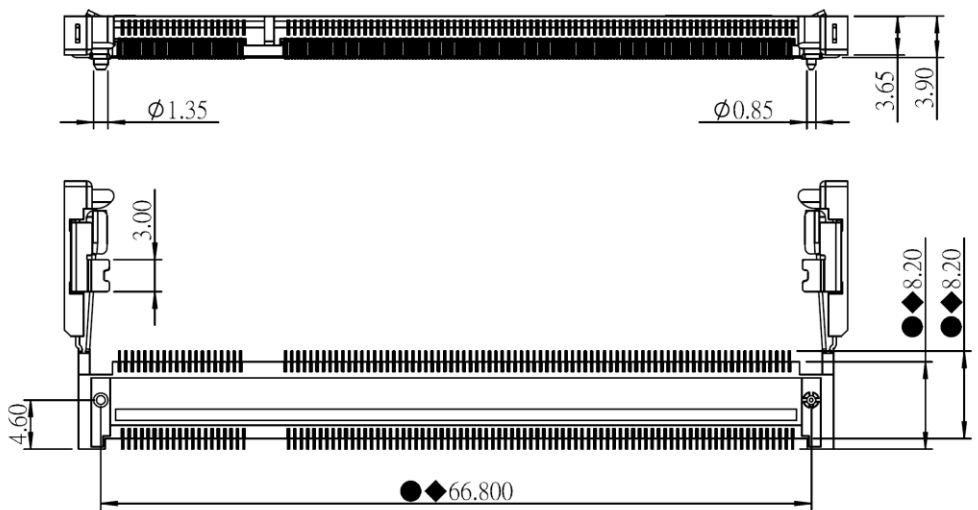


NOTE:
 1. SOLDER TAIL TO BE WITHIN 0.05 UPWARD AND 0.2 DOWNWARD FROM Z-DATUM PLACE, AND COPLANALITY OF SOLDER TAILS TO BE WITHIN 0.10. MEASUREMENT POINT IS SOLDER TAIL'S TIP.
 2. INSPECTION SYMBOL:
 ● : MANUFACTURER INSPECTION
 ◆ : Q.C INSPECTION



RoHS Compliant

TOLERANCES ARE

MORETHANALL
 PCB CONNECTORS
 Cable ASSEMBLIES

DRAWING BY CY		X ± 0.30
CHECKED BY GENIUS		.X ± 0.20
UNIT / mm		.XX ± 0.10
SCALE 1 : 1		.XXX ± 0.05
DATE		ANG ±

煜倫股份有限公司

www.morethanall.com

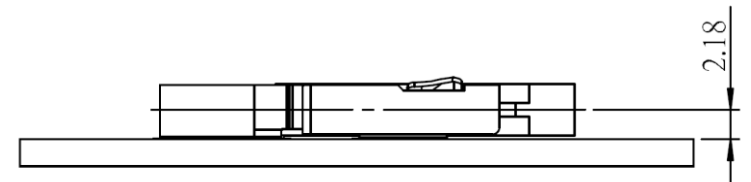
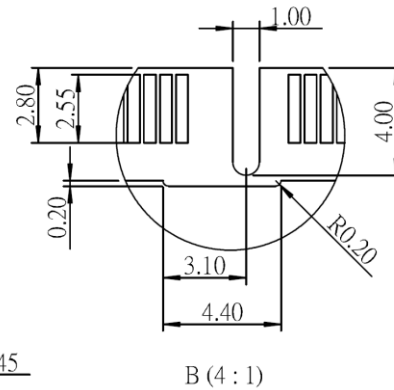
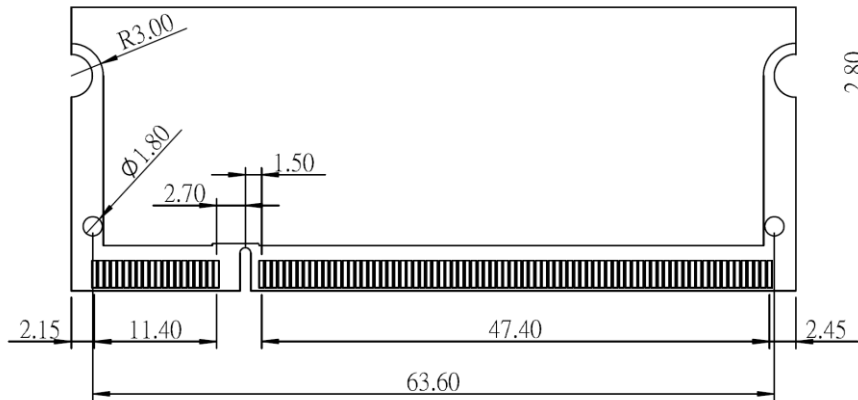
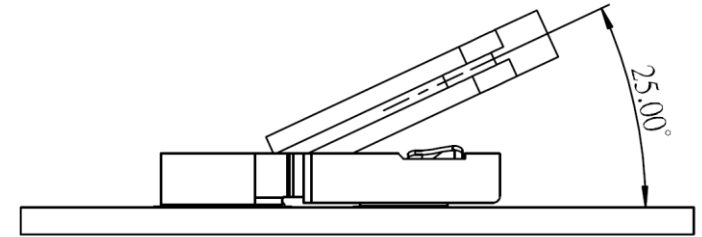
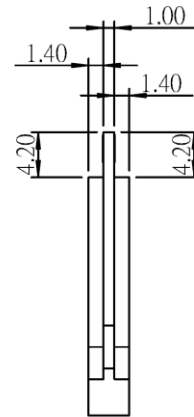
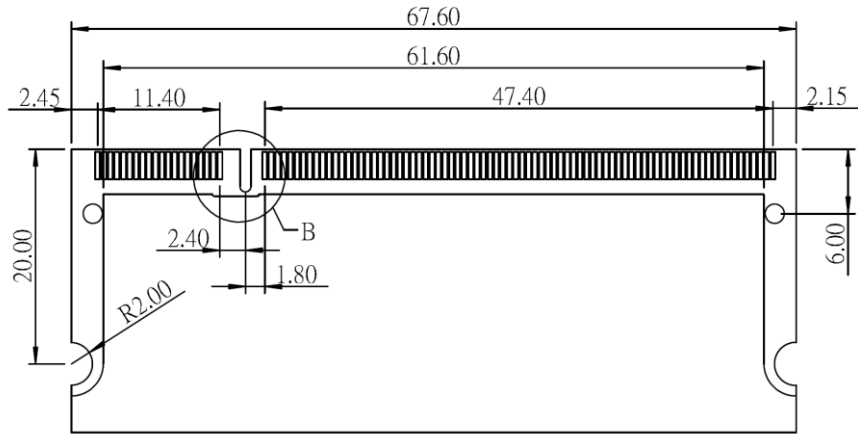
SIZE A4 PPROJECTION

照片框

ORDER INFORMATION

SDM6-W40V18-A640-LF
 SERIES | | | LEADFREE
 | | | 200 WAY
 | | | 1.8V
 | | | HIGH 4.0mm
 | | | 90°SMT

DESCRIPTION:



RoHS Compliant

TOLERANCES ARE

MORETHANALL
PCB CONNECTORS
Cable ASSEMBLIES

DRAWING BY CY

X. ± 0.30

CHECKED BY GENIUS

.X ± 0.20

UNIT / mm

SCALE 1 : 1

.XX ± 0.10

DATE

.XXX ± 0.05

ANG ±

照片框

ORDER INFORMATION

SDM6-W40V18-A640-LF

SERIES

|

|

|

|

|

|

|

|

|

|

|

|

|

|

|

|

|

|

|

|

|

|

|

|

|

LEADFREE

1.8V

HIGH 4.0mm

90°SMT

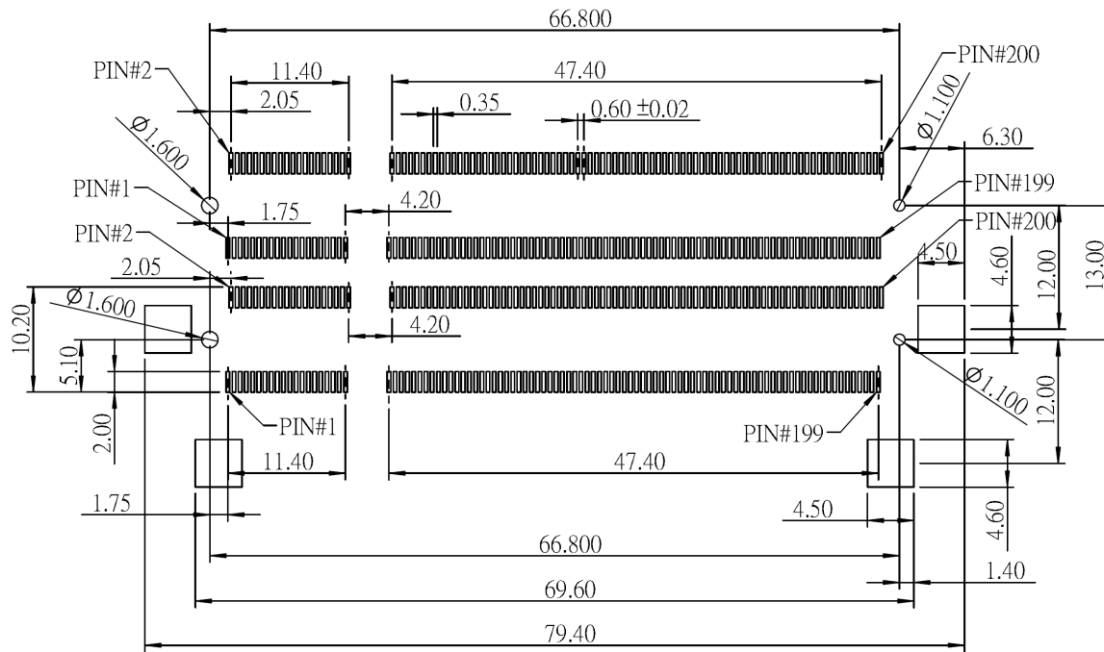
煜倫股份有限公司

www.morethanall.com

SIZE A4

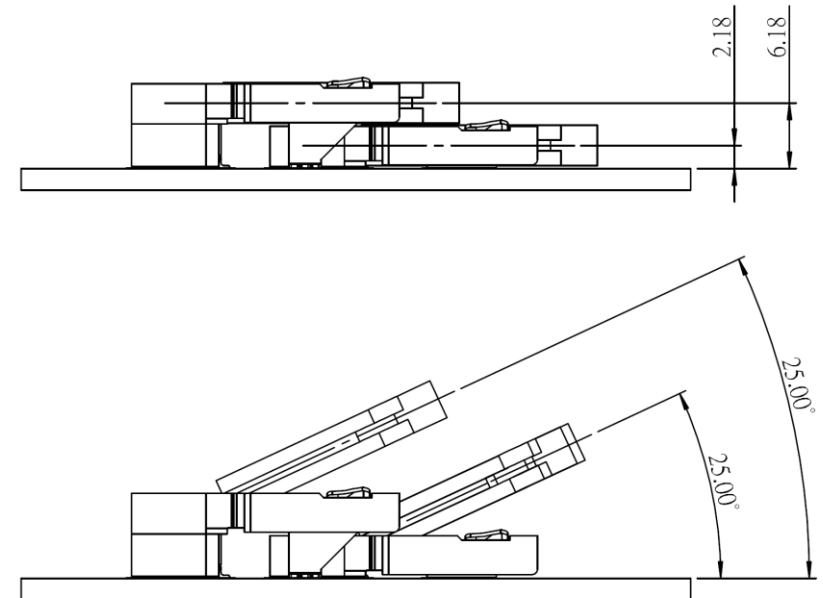
PJECTION

DESCRIPTION:



PCB LAYOUT : COMPONENT SIDE(4.0&8.0 TYPE)

DDR S.O. DIMM 200P OVERLAY FIGURE



RoHS Compliant

TOLERANCES ARE

MORETHANALL
PCB CONNECTORS
Cable ASSEMBLIES

DRAWING BY CY

X ± 0.30

CHECKED BY GENIUS

.X ± 0.20

UNIT / mm

SCALE 1 : 1

.XX ± 0.10

.XXX ± 0.05

DATE

ANG ±

SIZE A4

PJECTION

照片框

ORDER INFORMATION

SDM6-W40V18-A640-LF

SERIES | | | LEADFREE

1.8V
HIGH 4.0mm

90°SMT

煜倫股份有限公司

www.morethanall.com

DESCRIPTION: