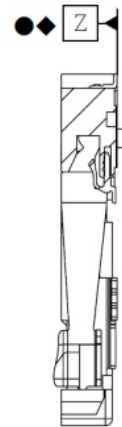


**NOTE:**

1. SOLDER TAIL TO BE WITHIN 0.05 UPWARD AND 0.2 DOWNWARD FROM Z-DATUM PLACE, AND COPLANARITY OF SOLDER TAILS TO BE WITHIN 0.10 MEASUREMENT POINT IS SOLDER TAILS TIP.
2. MATERIAL:  
 BASE: THERMOPLASTIC LCP, UL 94V-0, BLACK COLOR  
 TERMINAL: COPPER ALLOY  
 LATCH: STAINLESS STEEL
3. FINISH:  
 TERMINAL:  
 NICKEL UNDERPLATING ALL OVER BASE MATERIAL  
 CONTACT AREA: GOLD FLASH PLATING OVER UNDERPLATE  
 SOLDER AREA: GOLD FLASH PLATING OVER UNDERPLATE
4. INSPECTION SYMBOL:  
 ● : MANUFACTURER INSPECTION  
 ◆ : Q.C INSPECTION



A-A (2 : 1)

**RoHS Compliant**

TOLERANCES ARE

**MORETHANALL**  
 PCB CONNECTORS  
 Cable ASSEMBLIES

**煜倫股份有限公司**

www.morethanall.com

DRAWING BY CY

CHECKED BY GENIUS

UNIT / mm

SCALE 1 : 1

DATE

SIZE A4

X. ± 0.30

.X ± 0.20

.XX ± 0.10

.XXX ± 0.05

ANG ±

PROJECTION

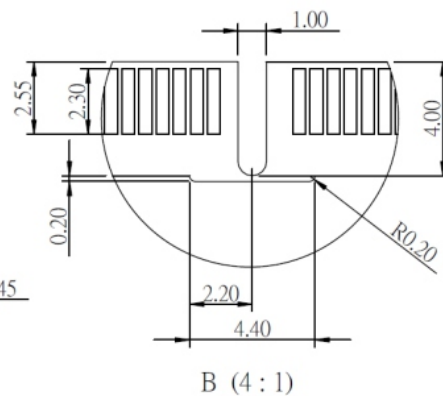
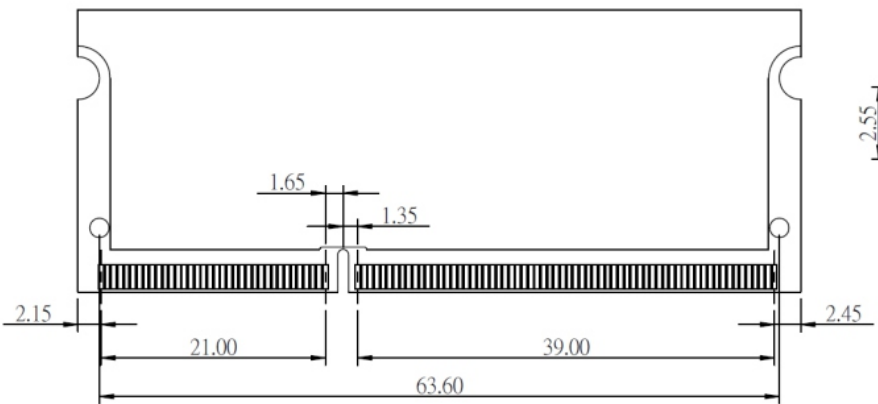
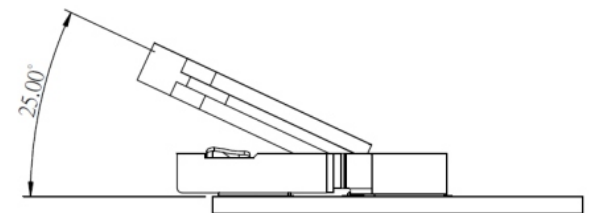
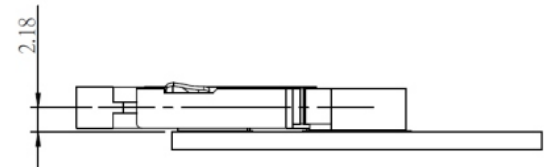
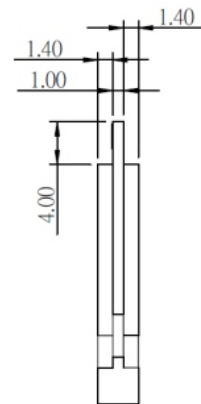
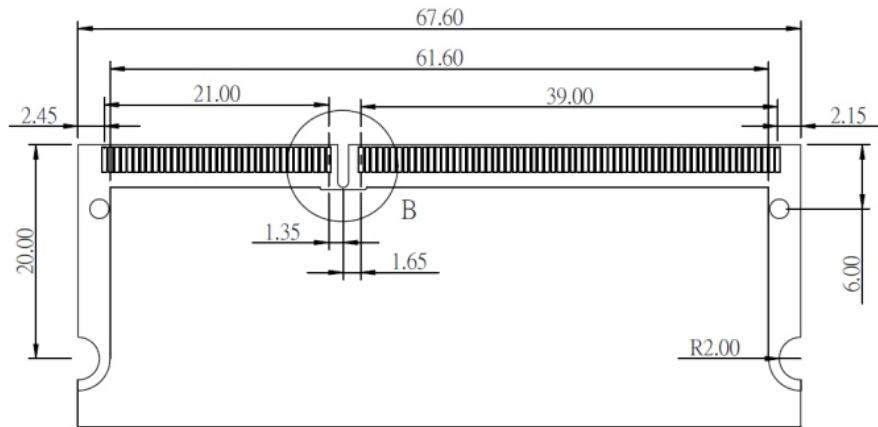
照片框

**ORDER INFORMATION**

SDM6-W40V15-A372-LF

SERIES | 1.5V | LEADFREE  
 | HIGH 4.0mm | 204 WAY  
 90° SMT

DESCRIPTION:



**MORETHANALL**  
PCB CONNECTORS  
Cable ASSEMBLIES

煜倫股份有限公司

www.morethanall.com

RoHS Compliant

DRAWING BY CY  
CHECKED BY GENIUS  
UNIT / mm SCALE 1 : 1  
DATE  
SIZE A4

TOLERANCES ARE

X. ± 0.30  
.X ± 0.20  
.XX ± 0.10  
.XXX ± 0.05  
ANG ±

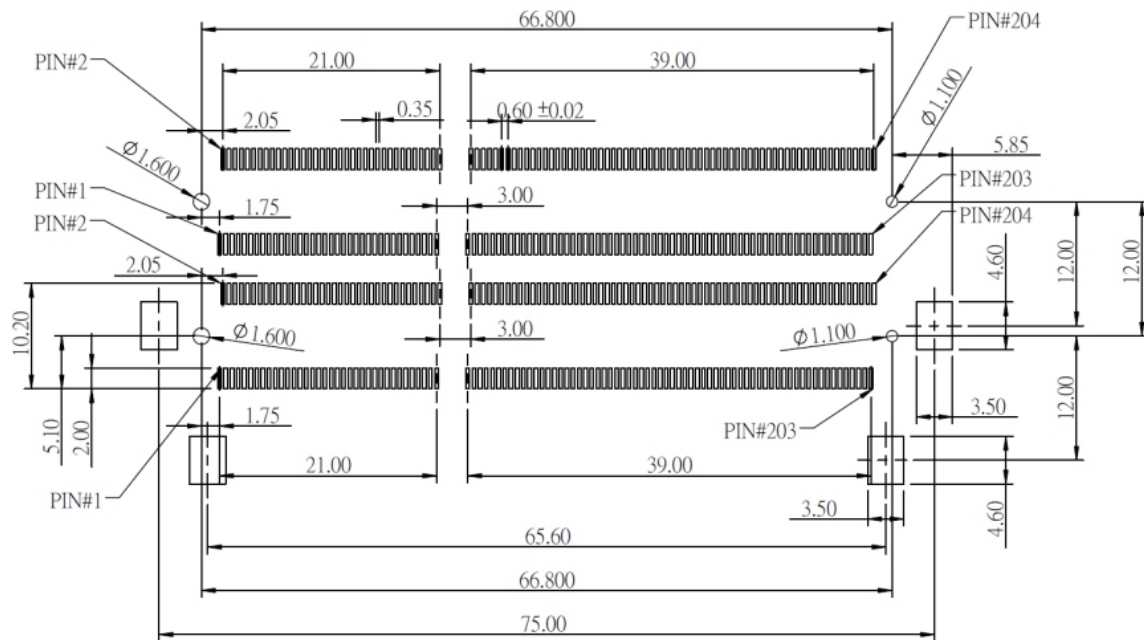
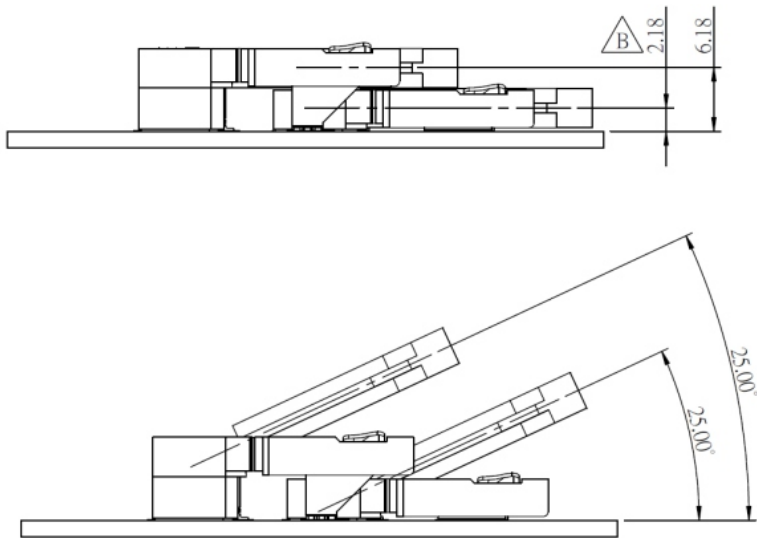
P PROJECTION

照片框

ORDER INFORMATION

SDM6-W40V15-A372-LF  
SERIES | 1.5V | LEADFREE  
HIGH 4.0mm | 204 WAY  
90° SMT

DESCRIPTION:



PCB LAYOUT : COMPONENT SIDE(4.0&8.0TYPE)

RoHS Compliant

TOLERANCES ARE

**MORETHANALL**  
PCB CONNECTORS  
Cable ASSEMBLIES

煜倫股份有限公司

www.morethanall.com

DRAWING BY CY

CHECKED BY GENIUS

UNIT / mm SCALE 1 : 1

DATE

SIZE A4

X. ± 0.30  
.X ± 0.20  
.XX ± 0.10  
.XXX ± 0.05  
ANG ±

PROJECTION

照片框

ORDER INFORMATION

SDM6-W40V15-A372-LF  
SERIES | 1.5V | LEADFREE  
HIGH 4.0mm | 204 WAY  
90°SMT

DESCRIPTION: