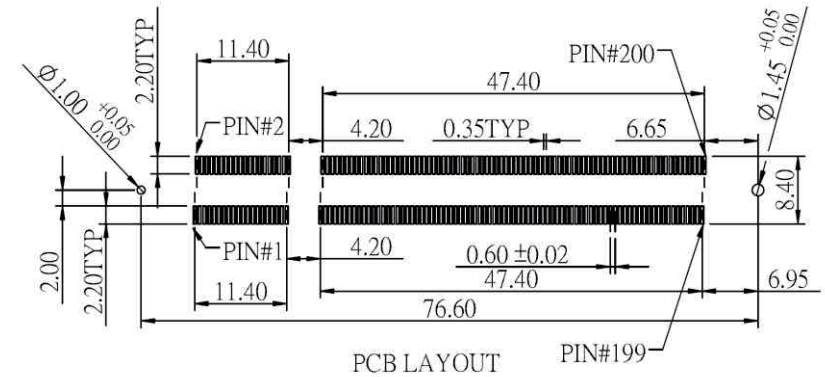
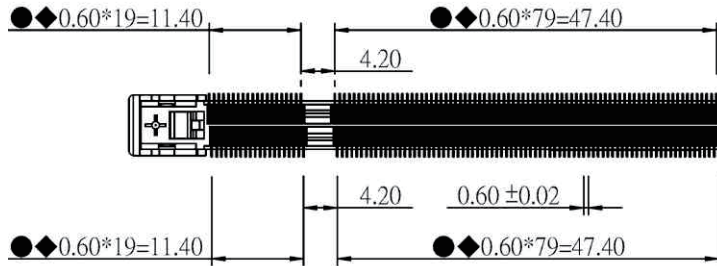
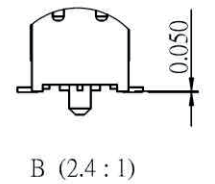
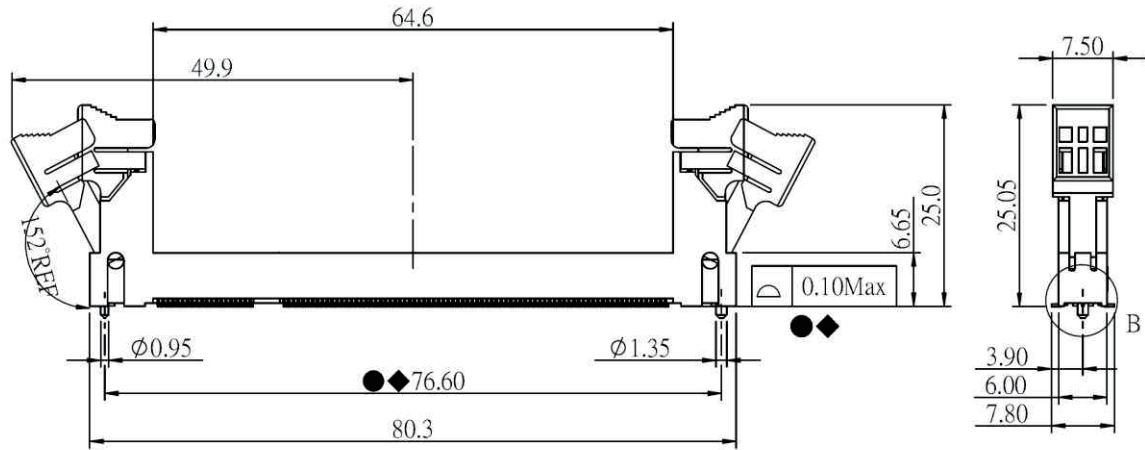


NOTE:
 1. INSPECTION SYMBOL:
 ● : MANUFACTURER INSPECTION
 ◆ : Q.C INSPECTION
 2. MATERIAL:
 3. BASE: HIGH TEMPERATURE THERMALPLASTIC LCP, BLACK COLOR
 TERMINAL: PHOSPHOR BRONZE
 EAR: HIGH TEMPERATURE THERMALPLASTIC PA9T, WHITE COLOR.
 FINISH:
 TERMINAL: GOLD FLASH ON CONTACT AREA AND SOLDER TAIL.



RoHS Compliant

TOLERANCES ARE

MORETHANALL
 PCB CONNECTORS
 Cable ASSEMBLIES

DRAWING BY CY
 CHECKED BY GENIUS
 UNIT / mm SCALE 1 : 1
 DATE

X, ±
 .X ±
 .XX ±
 .XXX ±
 ANG ±

照片框

ORDER INFORMATION

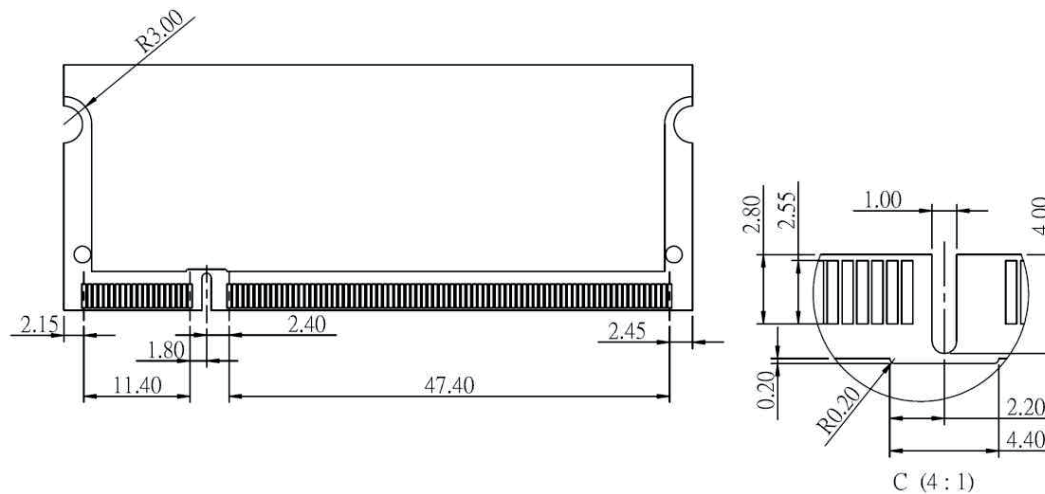
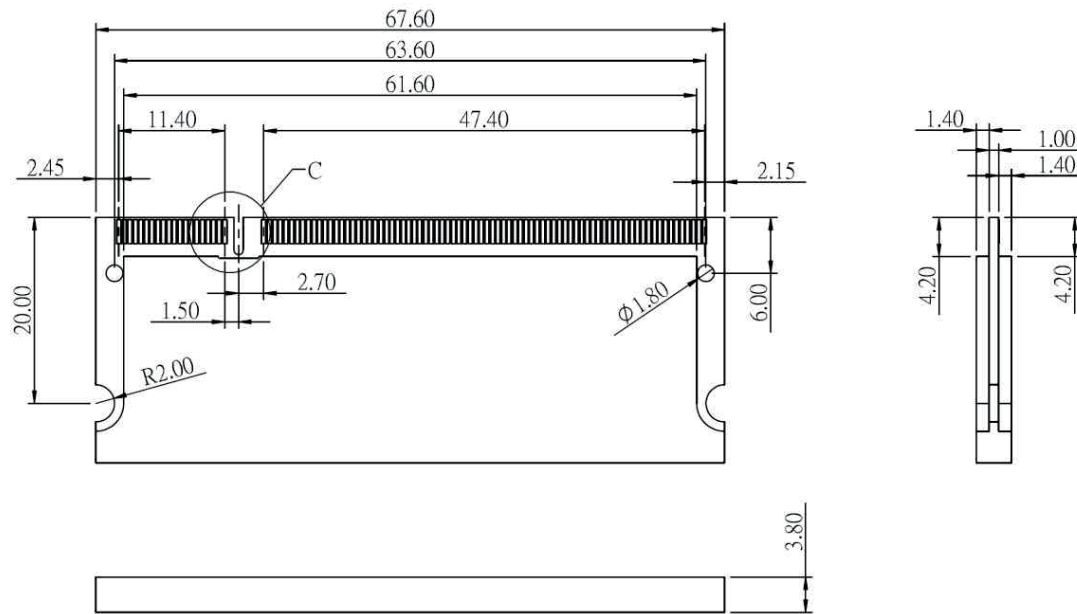
SDM6-V60V25-40A6-LF
 SERIES | | | | LEADFREE
 | | | | 200 WAY
 | | | | 2.5V
 | | | | HIGH 6.0mm
 | | | | 180°SMT

煜倫股份有限公司

www.morethanall.com

SIZE A4 PPROJECTION

DESCRIPTION:



RoHS Compliant

TOLERANCES ARE

MORETHANALL
PCB CONNECTORS
Cable ASSEMBLIES

DRAWING BY CY

X, ±

CHECKED BY GENIUS

.X ±

UNIT / mm

SCALE 1 : 1

.XX ±

DATE

.XXX ±

ANG ±

煜倫股份有限公司

www.morethanall.com

SIZE A4

PJECTION

照片框

ORDER INFORMATION

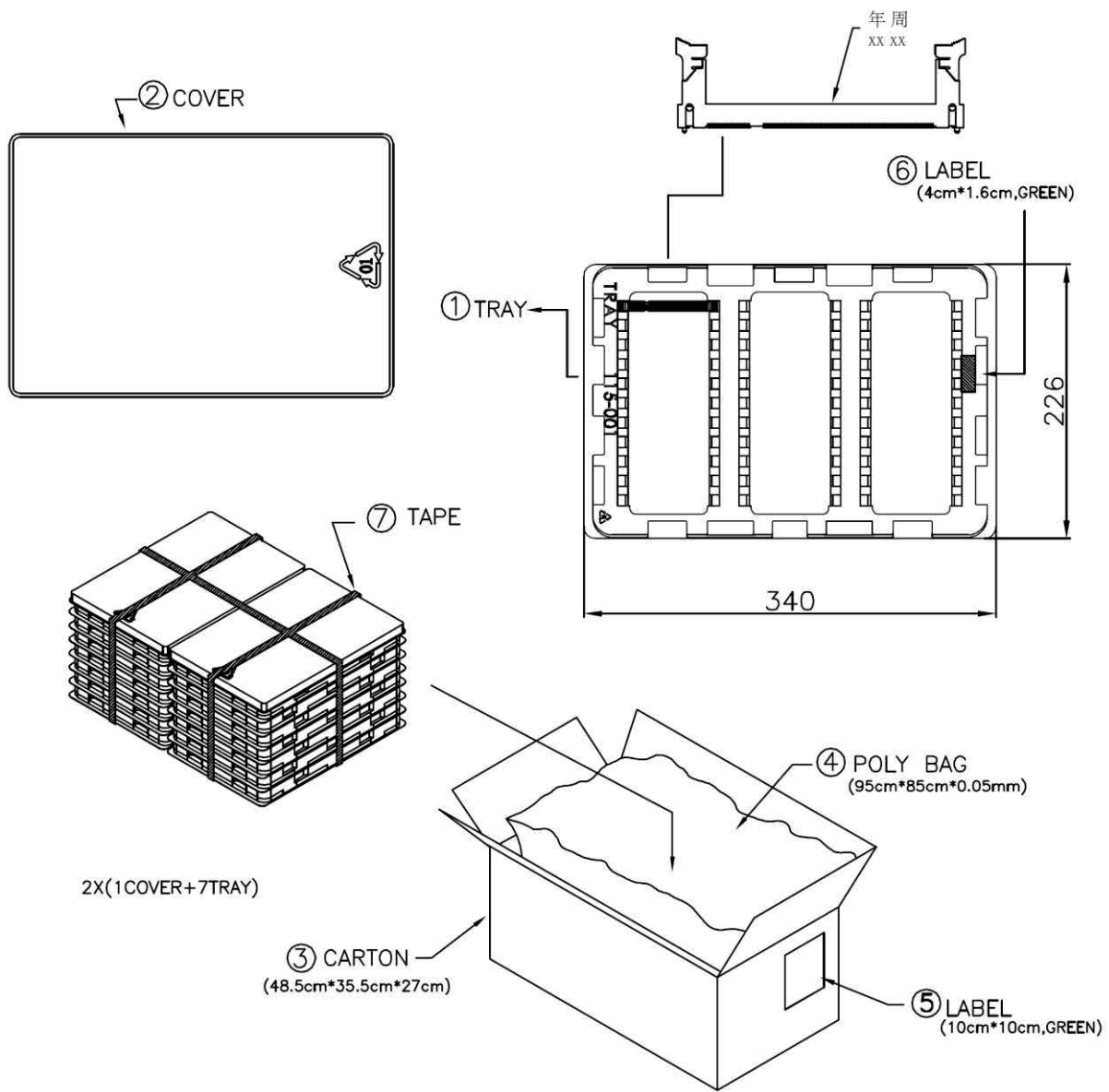
SDM6-V60V25-40A6-LF

SERIES | | | | LEADFREE

2.5V
HIGH 6.0mm

180°SMT

DESCRIPTION:



MATERIAL	P/N	REMARKS
1	TRAY TRAY 115-001B	14 TRAY X 33PCS
2	COVER TRAY 007-001A	2X(1COVER +7 TRAY)
3	CARTON CTN-C100D	CARTON/14 TRAY/462PCS
4	POLY BAG P-0001	1 POLY BAG/CARTON
5	LABEL(for RoHS) CTP-00004	1 LABEL/CARTON
6	LABEL(for RoHS) CTB-00002	1 LABEL/TRAY
7	TAPE	

RoHS Compliant

TOLERANCES ARE



DRAWING BY CY
 CHECKED BY GENIUS
 UNIT / mm SCALE 1 : 1
 DATE

X. ±
 .X ±
 .XX ±
 .XXX ±
 ANG ±

煜倫股份有限公司

www.morethanall.com

SIZE A4 PPROJECTION



ORDER INFORMATION

SDM6-V60V25-40A6-LF
 SERIES | | | | | LEADFREE
 | | | | | 200 WAY
 | | | | | 2.5V
 | | | | | HIGH 6.0mm
 | | | | | 180°SMT

DESCRIPTION: