

NOTE:

1. INSPECTION SYMBOL:

- : MANUFACTURER INSPECTION
- ◆ : Q.C INSPECTION

2.MATERIAL:

BASE:HIGH TEMPERATURE THERMALPLASTIC LCP ,BLACK COLOR
 TERMINAL:PHOSPHOR BRONZE
 EAR: HIGH TEMPERATURE THERMALPLASTIC PA9T ,WHITE COLOR.

3.FINISH:

TERMINAL:GOLD FLASH ON CONTACT AREA AND SOLDER TAIL.

RoHS Compliant

TOLERANCES ARE

MORETHANALL
 PCB CONNECTORS
 Cable ASSEMBLIES

煜倫股份有限公司

www.morethanall.com

DRAWING BY CY

CHECKED BY GENIUS

UNIT / mm

SCALE 1 : 1

DATE

SIZE A4

X, ±
 X, ±
 .XX ±
 .XXX ±
 ANG ±

P PROJECTION

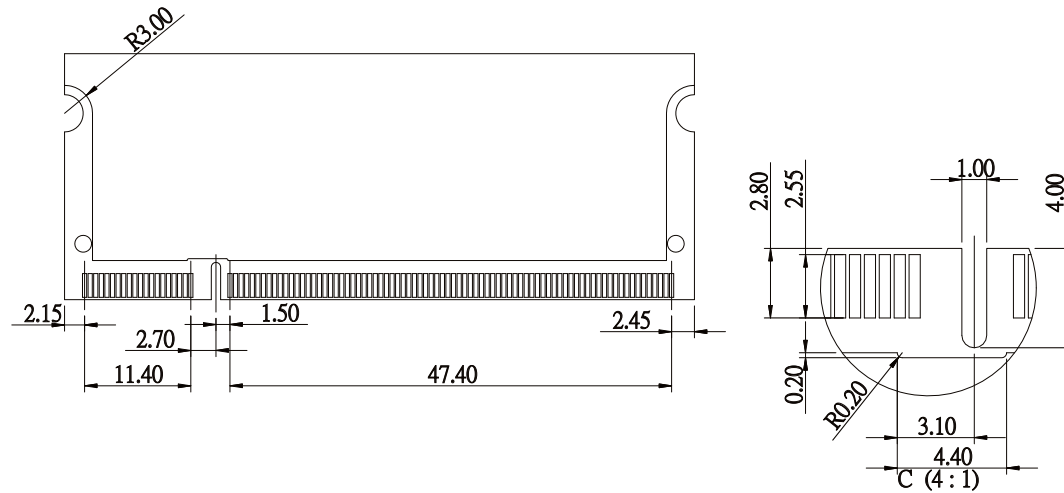
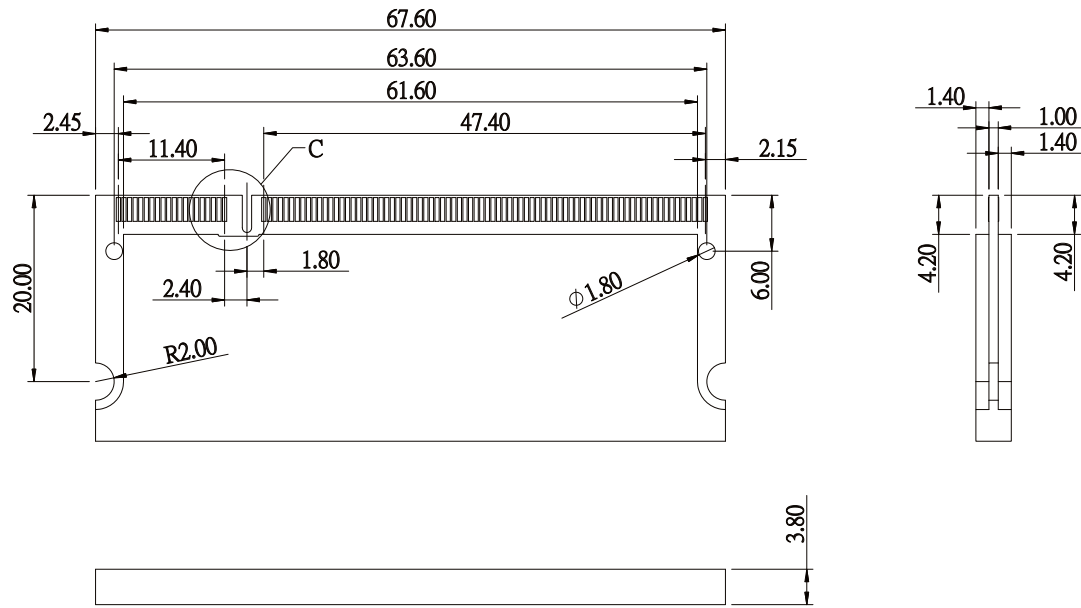
照片框

ORDER INFORMATION

SDM6-V60V18-40A6-LF

SERIES | | | | | LEADFREE
 | | | | | 200 WAY
 | | | | | 1.8V
 | | | | | HIGH 6.0mm
 | | | | | 180°SMT

DESCRIPTION: VERTICAL DDR CONNECTOR-1.8V



RoHS Compliant

TOLERANCES ARE

MORETHANALL
PCB CONNECTORS
Cable ASSEMBLIES

DRAWING BY CY

CHECKED BY GENIUS

UNIT / mm

SCALE 1 : 1

DATE

SIZE A4

X, ±

.X ±

.XX ±

.XXX ±

ANG ±

照片框

ORDER INFORMATION

SDM6-V60V18-40A6-LF

SERIES

1.8V

HIGH 6.0mm

180°SMT

LEADFREE
200 WAY

煜倫股份有限公司

www.morethanall.com

PJECTION

DESCRIPTION: VERTICAL DDR CONNECTOR-1.8V