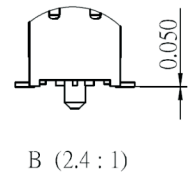


NOTE:
 1. INSPECTION SYMBOL:
 ● : MANUFACTURER INSPECTION
 ◆ : Q.C INSPECTION



RoHS Compliant

TOLERANCES ARE

MORETHANALL
 PCB CONNECTORS
 Cable ASSEMBLIES
煜倫股份有限公司
www.morethanall.com

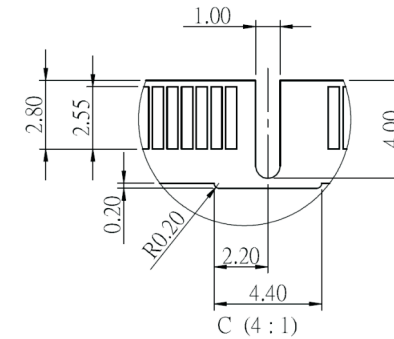
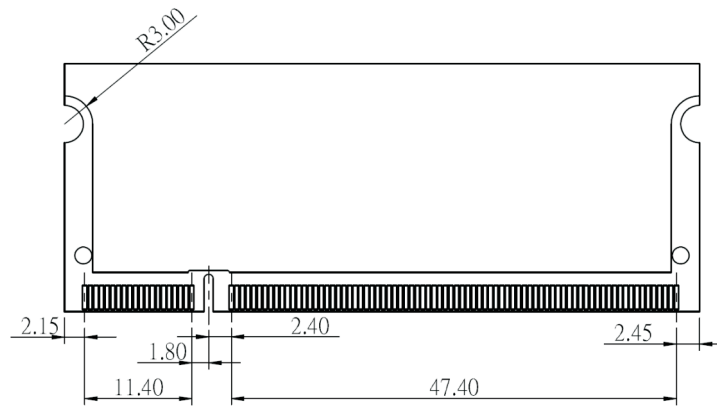
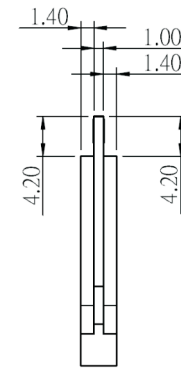
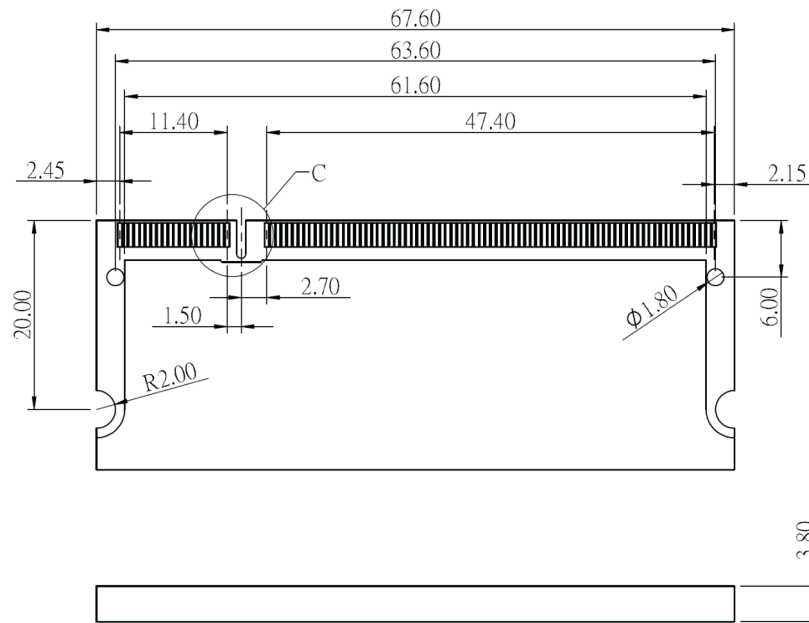
DRAWING BY CY		X. ± .X ± .XX ± .XXX ± ANG ±
CHECKED BY GENIUS		
UNIT / mm	SCALE 1 : 1	
DATE		
SIZE A4	PJECTION	



ORDER INFORMATION

SDM6-V59V25-40A6-LF
 SERIES | 25V | LEADFREE
 HIGH 5.9mm | 200 WAY
 180°SMT

DESCRIPTION:



RoHS Compliant

TOLERANCES ARE

MORETHANALL
PCB CONNECTORS
Cable ASSEMBLIES

DRAWING BY CY

CHECKED BY GENIUS

UNIT / mm SCALE 1 : 1

DATE

SIZE A4

X. ±
.X ±
.XX ±
.XXX ±
ANG ±

PJECTION

照片框

ORDER INFORMATION

SDM6-V59V25-40A6-LF

SERIES | 25V | LEADFREE
HIGH 5.9mm | 200 WAY

180°SMT

煜倫股份有限公司

www.morethanall.com

DESCRIPTION: