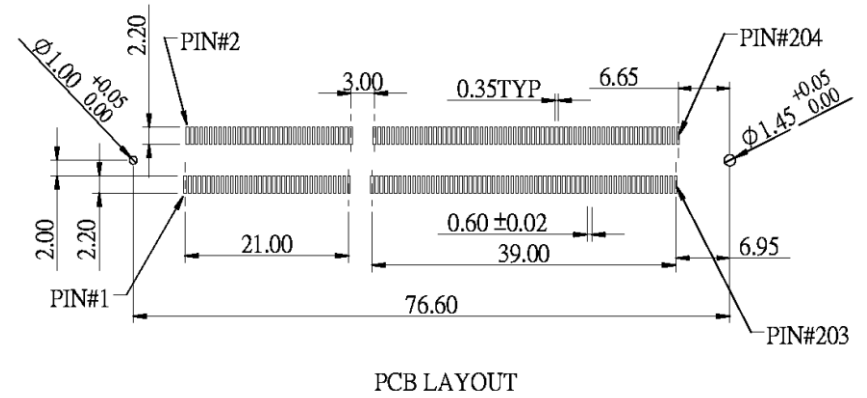


NOTE:  
 1. INSPECTION SYMBOL:  
 ● : MANUFACTURER INSPECTION  
 ◆ : Q.C INSPECTION



RoHS Compliant

TOLERANCES ARE

**MORETHANALL**  
 PCB CONNECTORS  
 Cable ASSEMBLIES

DRAWING BY CY

CHECKED BY GENIUS

UNIT / mm

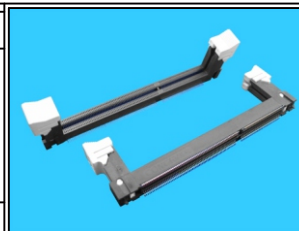
SCALE 1 : 1

DATE

SIZE A4

PPOJECTION

X, ±  
 X, ±  
 .XX ±  
 .XXX ±  
 ANG ±



ORDER INFORMATION

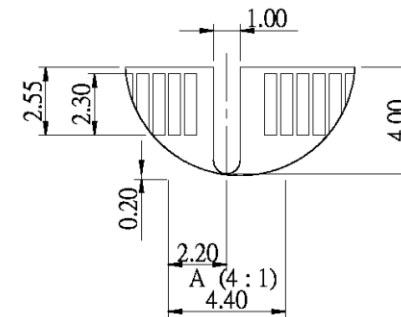
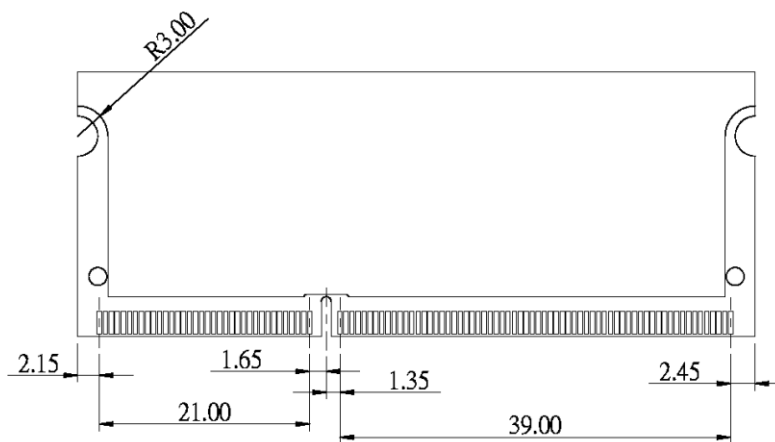
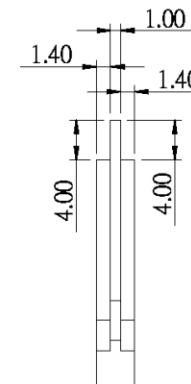
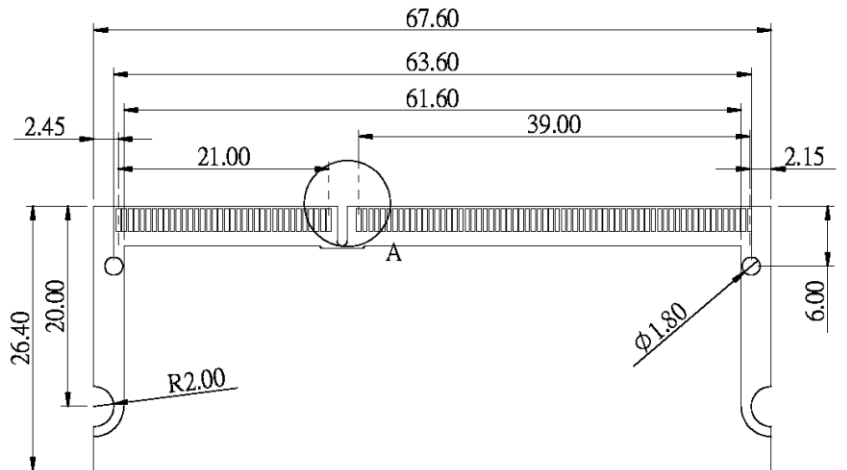
SDM6-V59V15-72A3-LF

SERIES | | | | | LEADFREE  
 | | | | | 204 WAY  
 | | | | | 1.5V  
 | | | | | HIGH 5.9mm  
 | | | | | 180°SMT

煜倫股份有限公司

www.morethanall.com

DESCRIPTION:



RoHS Compliant

TOLERANCES ARE

**MORETHANALL**  
PCB CONNECTORS  
Cable ASSEMBLIES

DRAWING BY CY

CHECKED BY GENIUS

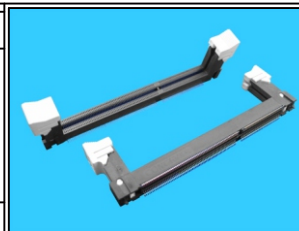
UNIT / mm SCALE 1 : 1

DATE

SIZE A4

X, ±  
.X ±  
.XX ±  
.XXX ±  
ANG ±

PPOJECTION



ORDER INFORMATION

SDM6-V59V15-72A3-LF

SERIES | 1.5V | 204 WAY | LEADFREE  
HIGH 5.9mm  
180°SMT

煜倫股份有限公司

www.morethanall.com

DESCRIPTION: