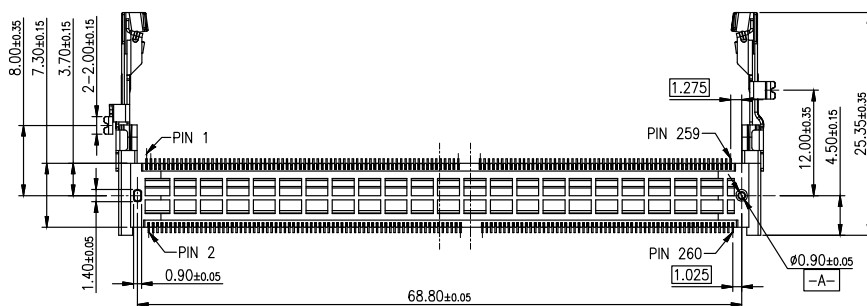
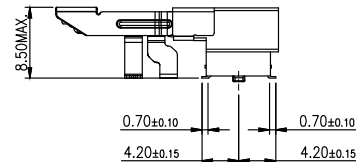
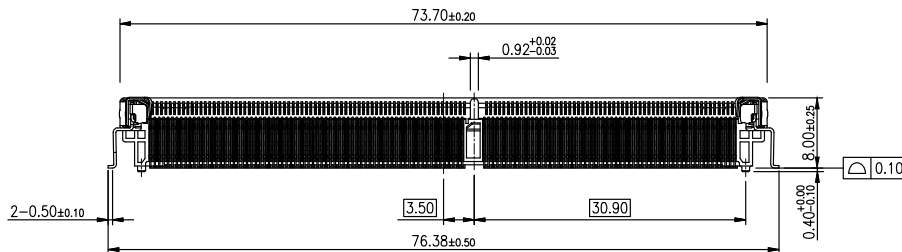
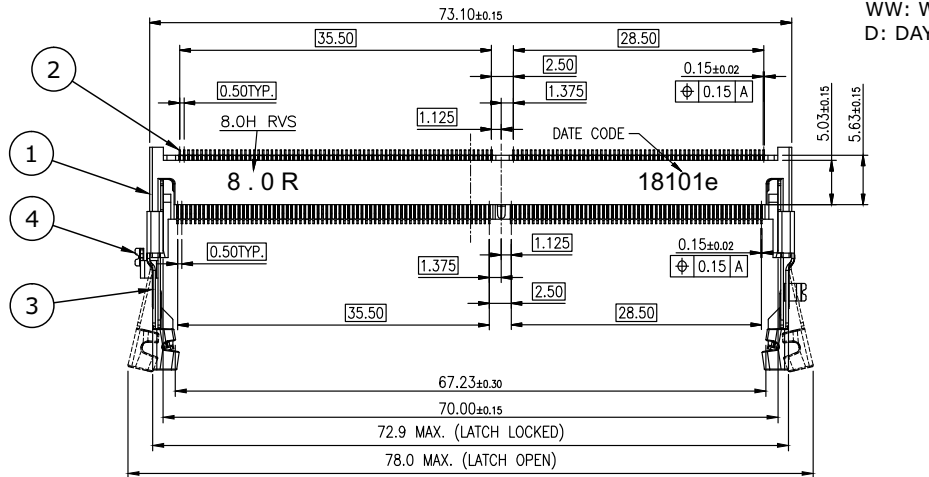


DATE CODE: 18101 (YYWWD)
 YY: YEAR (2018)
 WW: WEEK (01~52)
 D: DAY (1~7)



SPECIFICATION:

1. ELECTRICAL
 - 1.1 Current Rating: 0.6A per pin
 - 1.2 Voltage Rating: 25V AC
 - 1.3 Contact Resistance: 6 max.
 - 1.4 Insulation Resistance: 100M
 - 1.5 Dielectric Withstanding Voltage: 500VAC
2. MECHANICAL
 - 2.1 Durability: 50 Cycle
 - 2.2 Insertion Force: 59.8N max.
 - 2.3 Extraction Force: 44.6N max.
3. ENVIRONMENTAL
 - 3.1 Operating temperature range: -40 ~+
 - 3.2 Storage temperature range: -40 ~+
4. SOLDER ABILITY
 - 4.1 Recommended IR-Reflow Temperature: 260

4	PEG	Stainless steel, 50u" min. tin plating over 50u" min. nickel plating
3	LATCH	Stainless steel
2	CONTACT	Copper alloy, contact area gold flash, solder area gold flash, under plating 50u" min. nickel
1	HOUSING	LCP, UL94V-0, black
NO.	PART NAME	DESCRIPTION

RoHS Compliant

TOLERANCES ARE

MORETHANALL
 PCB CONNECTORS
 Cable ASSEMBLIES

煜倫股份有限公司

www.morethanall.com

DRAWING BY CY

CHECKED BY GENIUS

UNIT / mm SCALE 1 : 1

DATE

SIZE A4

X ± 0.50
 .X ± 0.25
 .XX ± 0.12
 .XXX ±
 ANG ±

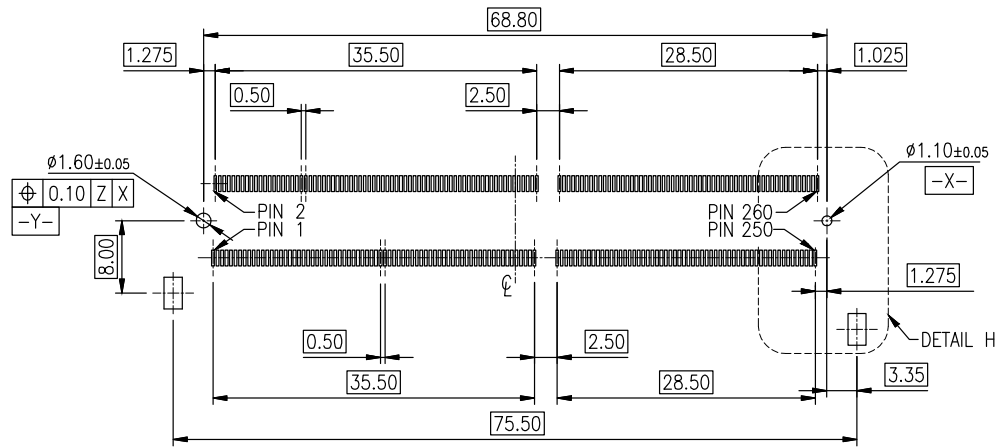
PJECTION

照片框

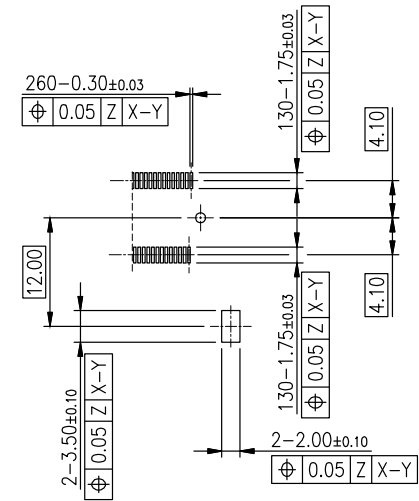
ORDER INFORMATION

SDM5-W80V12R-116144-LF
 SERIES | REEL | LEADFREE
 | 12V | 116+144 WAY
 | HIGH 8.0mm |
 | 90°SMT |

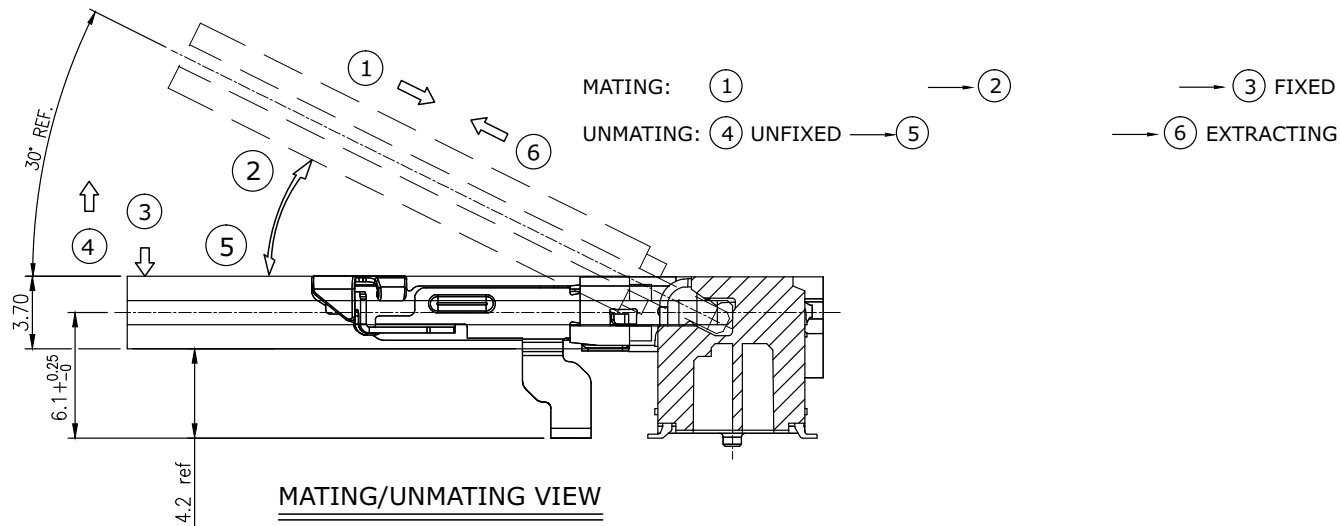
DESCRIPTION: DDR4 SODIMM Socket, Horizontal 8.0H, RVS, G/F, Black, Reel, Solder PEG



RECOMMENDED LAYOUT (TOP VIEW)



DETAIL H
SCALE 1/1



MATING/UNMATING VIEW

MORETHANALL
PCB CONNECTORS
Cable ASSEMBLIES

煜倫股份有限公司

www.morethanall.com

RoHS Compliant

DRAWING BY CY

CHECKED BY GENIUS

UNIT / mm SCALE 1 : 1

DATE

SIZE A4

TOLERANCES ARE

X. ± 0.50

.X ± 0.25

.XX ± 0.12

.XXX ±

ANG ±

PJECTION

照片框

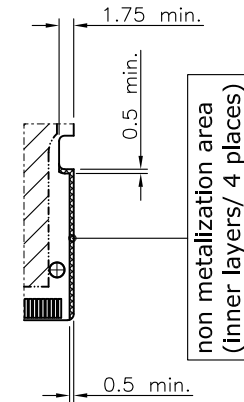
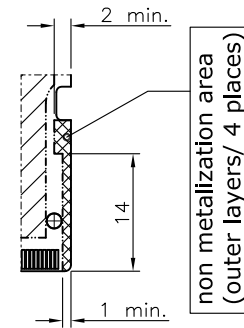
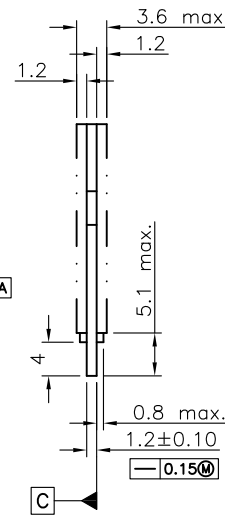
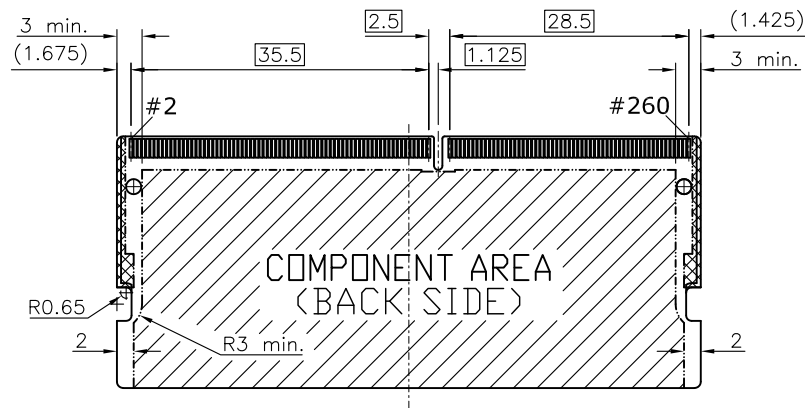
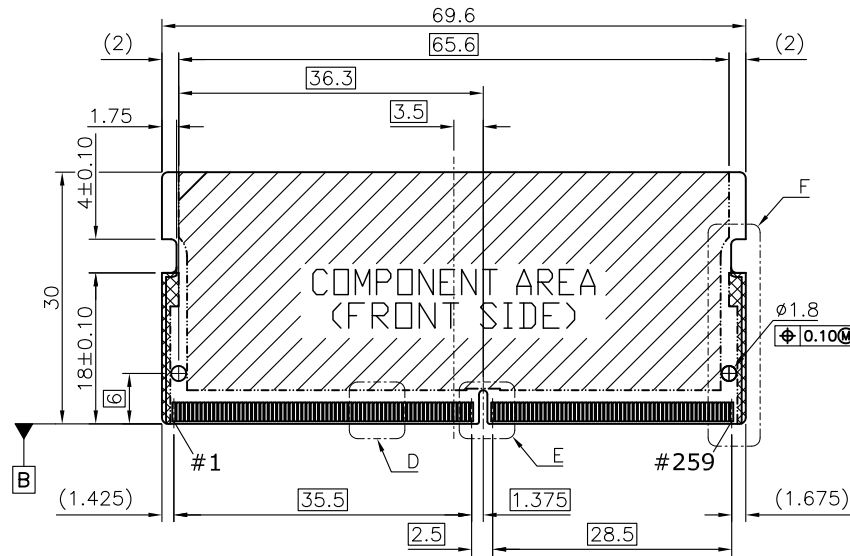
ORDER INFORMATION

SDM5-W80V12R-116144-LF

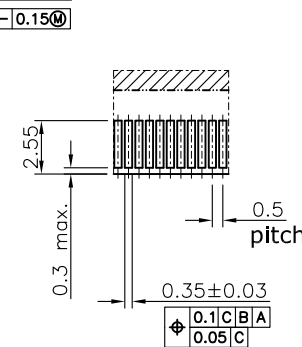
SERIES REEL LEADFREE
116+144 WAY

12V
HIGH 8.0mm
90°SMT

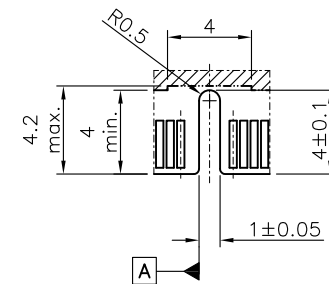
DESCRIPTION: DDR4 SODIMM Socket, Horizontal 8.0H, RVS, G/F, Black, Reel, Solder PEG



Detail F



Detail D
SCALE 3.125



Detail E
SCALE 3.125

Note: tolerance on dimensions is ± 0.15 unless otherwise specified.

RoHS Compliant

TOLERANCES ARE

MORETHANALL
PCB CONNECTORS
Cable ASSEMBLIES

DRAWING BY CY

X. ± 0.50

CHECKED BY GENIUS

.X ± 0.25

UNIT / mm

SCALE 1 : 1

.XX ± 0.12

DATE

.XXX \pm

ANG \pm

煜倫股份有限公司

www.morethanall.com

SIZE A4

PJECTION

照片框

ORDER INFORMATION

SDM5-W80V12R-116144-LF

SERIES

LEADFREE

REEL

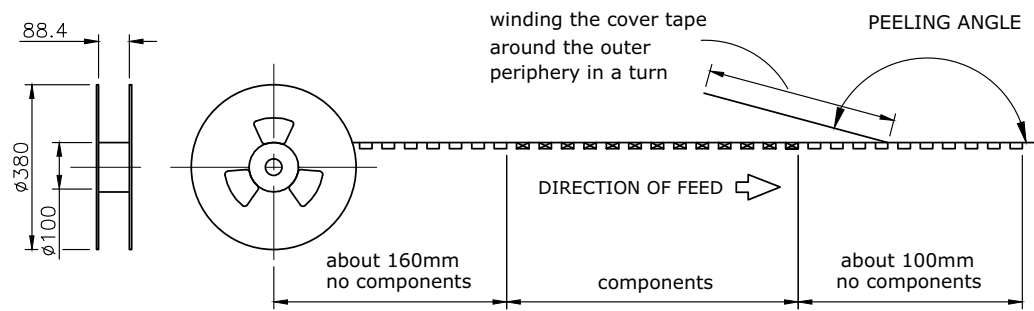
12V

HIGH 8.0mm

90°SMT

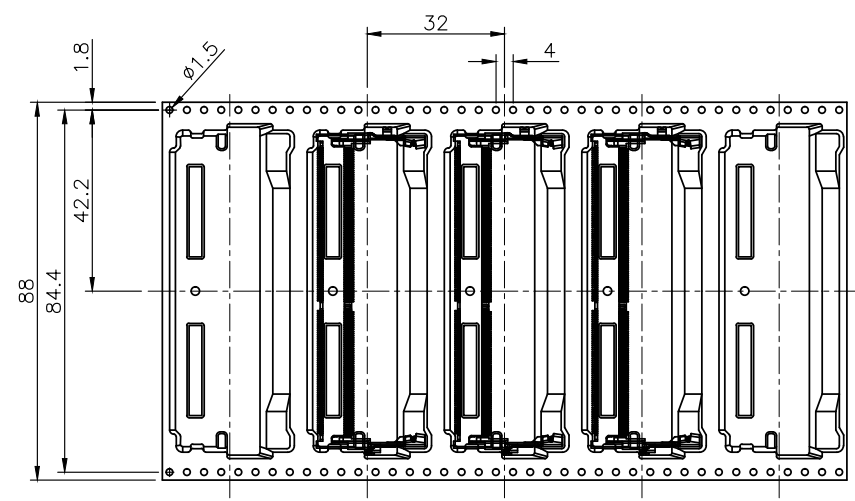
116+144 WAY

DESCRIPTION: DDR4 SODIMM Socket, Horizontal 8.0H, RVS, G/F, Black, Reel, Solder PEG

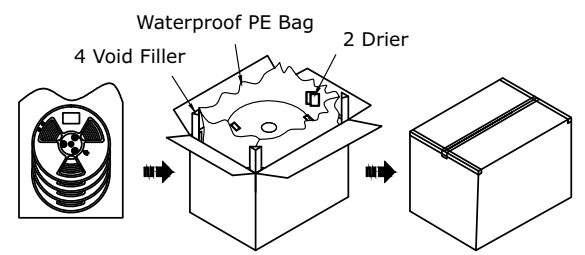


PACKAGING SPECIFICATION:

- 1. MATERIAL
 - 1.1 Embossed Carrier Tape: PS Black
 - 1.2 Top Cover Tape: PET
20-80g(Peel Speed 300mm/Minute)
 - 1.3 Taping Reel: Plastic



P/N	REEL	CARTON
SDM5-W80V12R-116144	300PCS	900PCS



Carton L*W*H=405*405*320

RoHS Compliant

TOLERANCES ARE



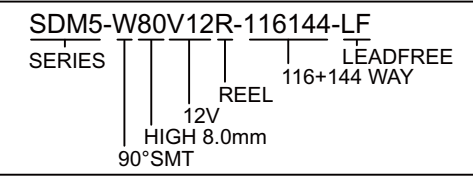
煜倫股份有限公司

www.morethanall.com

DRAWING BY CY		X. ± 0.50
CHECKED BY GENIUS		.X ± 0.25
UNIT / mm	SCALE 1 : 1	.XX ± 0.12
DATE		.XXX ±
		ANG ±
SIZE A4	PPOJECTION	



ORDER INFORMATION



DESCRIPTION: DDR4 SODIMM Socket, Horizontal 8.0H, RVS, G/F, Black, Reel, Solder PEG