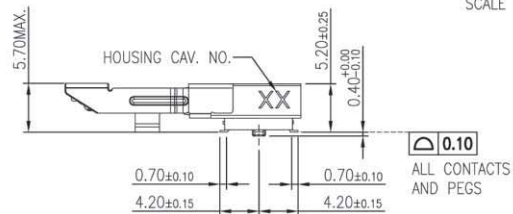


MATING/UNMATING VIEW
SCALE 2:1



- NOTES
- MATERIAL
HOUSING: THERMOPLASTIC. UL94V-0.
CONTACT: HIGH-PERFORMANCE COPPER ALLOY.
LATCH: STAINLESS STEEL.
PEG: STAINLESS STEEL.
 - FINISH
CONTACT: GOLD PLATING(SEE NOTE 4) ON CONTACT AREA AND 1u"~3u" GOLD PLATING ON SOLDER AREA
NICKEL(SEE TABLE 1) UNDER PLATING OVER ALL
PEG: 50u"~150u" TIN PLATING OVER ALL
50u"~150u" NICKEL UNDER PLATING OVER ALL
 - MSL LEVEL:
MSL(MOISTURE SENSITIVITY LEVEL)=1.

RoHS Compliant

TOLERANCES ARE

MORETHANALL
PCB CONNECTORS
Cable ASSEMBLIES

DRAWING BY CY

CHECKED BY GENIUS

UNIT / mm SCALE 1 : 1

DATE

SIZE A4

X ±
.X ± 0.35
.XX ± 0.25
.XXX ±
ANG ±

PJECTION

照片框

ORDER INFORMATION

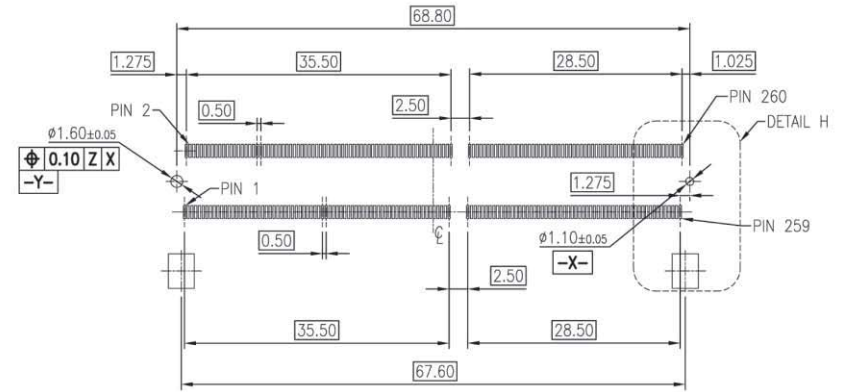
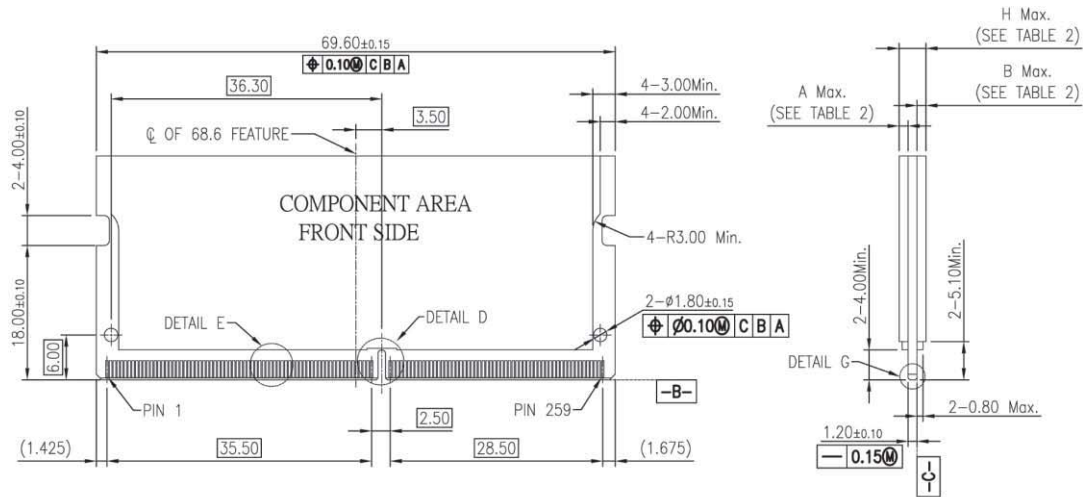
SDM5-W52V12R-116144-LF

SERIES | REEL | LEADFREE
12V | 116+144 WAY
HIGH 5.2mm |
90°SMT

煜倫股份有限公司

www.morethanall.com

DESCRIPTION:



RECOMMEND P.C.BOARD LAYOUT
 PCB THICKNESS 0.80mm Min.
 PCB LAYOUT GENERIC TOLERANCE:±0.05
 (-Z-):PCB SURFACE

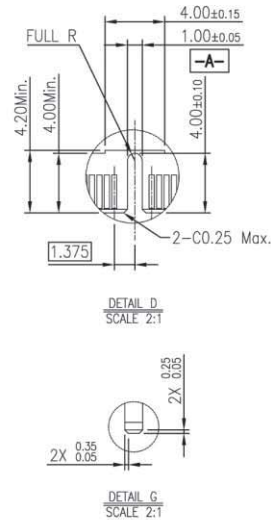
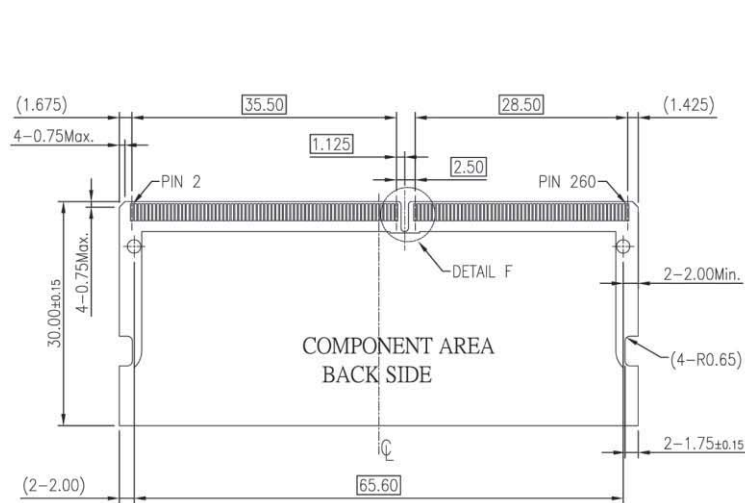
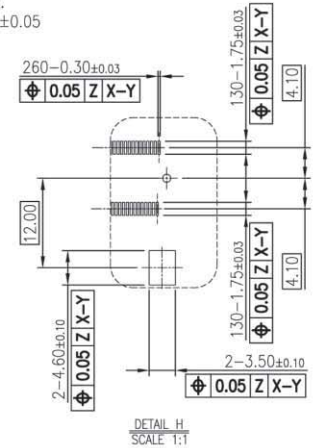


TABLE 2

DIM. H	DIM. A	DIM. B	DIM. C	DIM. D
4.70	1.70	1.70	6.50	0.90
3.70	1.20	1.20	6.00	1.40



RECOMMEND MODULE CONFIGURATION

RoHS Compliant

TOLERANCES ARE

MORETHANALL
 PCB CONNECTORS
 Cable ASSEMBLIES

DRAWING BY CY

CHECKED BY GENIUS

UNIT / mm SCALE 1 : 1

DATE

SIZE A4

PJECTION

X, ±
 .X ± 0.35
 .XX ± 0.25
 .XXX ±
 ANG ±

照片框

ORDER INFORMATION

SDM5-W52V12R-116144-LF

SERIES

REEL

12V

HIGH 5.2mm

90°SMT

LEADFREE

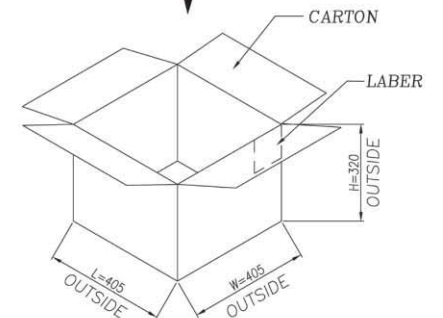
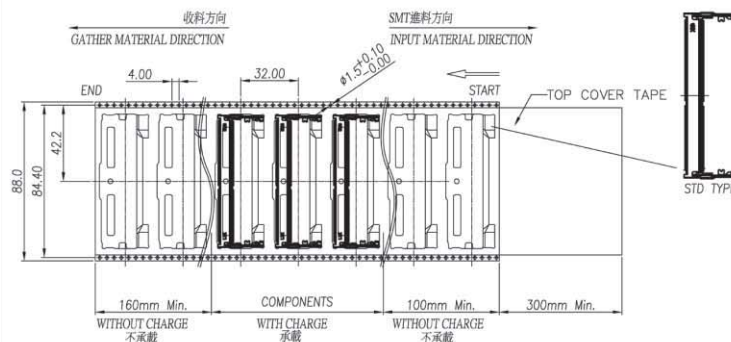
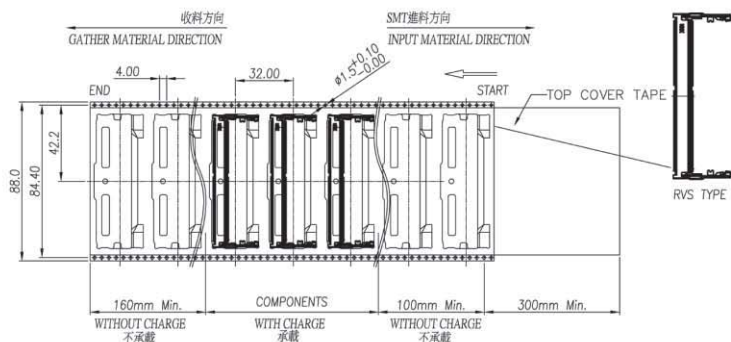
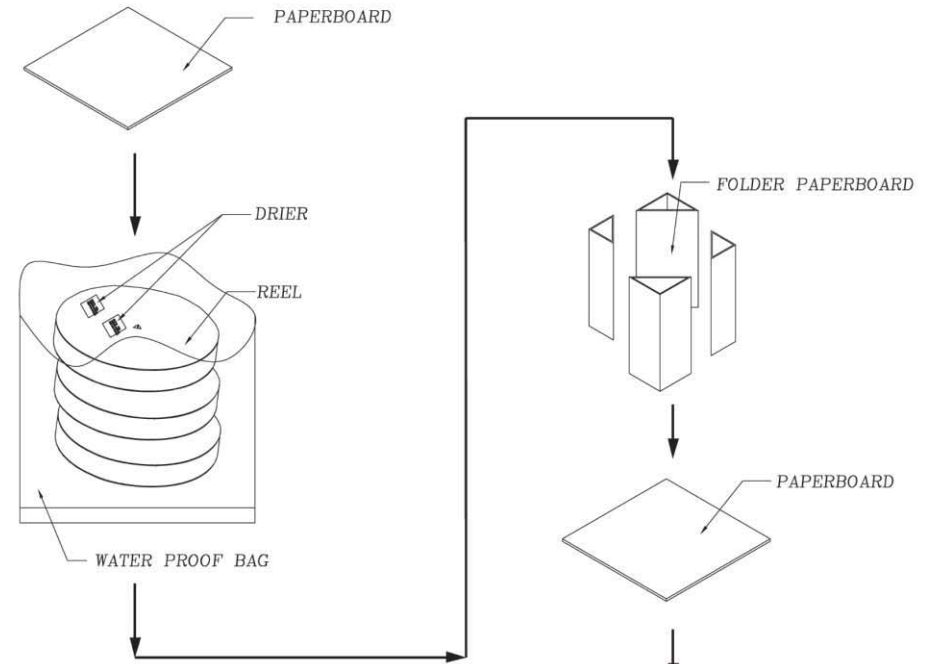
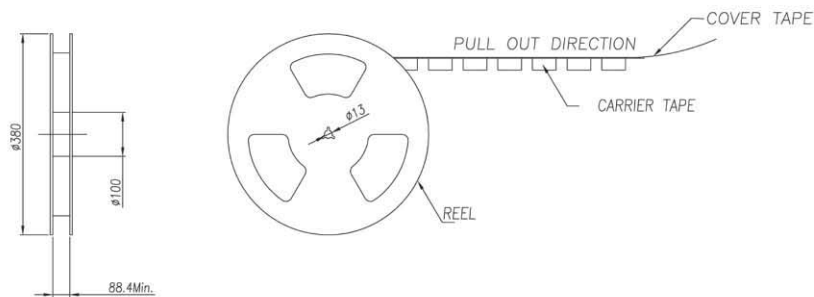
116+144 WAY

煜倫股份有限公司

www.morethanall.com

DESCRIPTION:

PRODUCT P/N	PACKING LIST		
	PCS/REEL	REEL/CARTON	PCS/CARTON
	500	3	1500
	500	3	1500
	450	3	1350
	450	3	1350
	400	3	1200
	400	3	1200
	300	3	900
	300	3	900
	270	3	810
	270	3	810



RoHS Compliant

TOLERANCES ARE

MORETHANALL
PCB CONNECTORS
Cable ASSEMBLIES

DRAWING BY CY

X. ±

CHECKED BY GENIUS

.X ± 0.35

UNIT / mm

SCALE 1 : 1

.XX ± 0.25

DATE

.XXX ±

ANG ±

SIZE A4

PPOJECTION

照片框

ORDER INFORMATION

SDM5-W52V12R-116144-LF

SERIES

LEADFREE

116+144 WAY

REEL

12V

HIGH 5.2mm

90°SMT

煜倫股份有限公司

www.morethanall.com

DESCRIPTION: