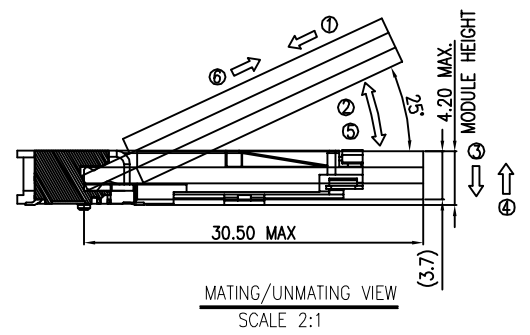
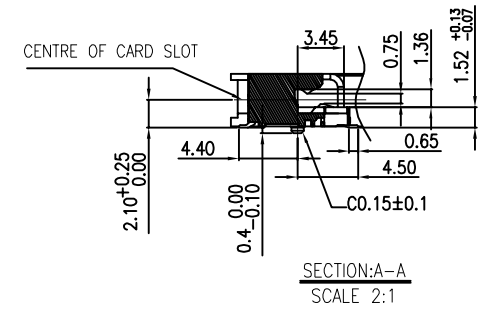
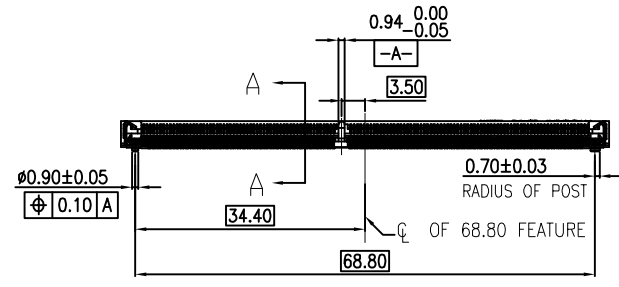


NOTES:
 1.MATERIAL:
 1.1 HOUSING:LCP,UL94V-0,COLOR:BLACK.
 1.2 CONTACT:PHOSPHOR BRONZE.
 1.3 SOLDER PEG AND LATCH:STAINLESS STEEL.
 2. FINISH:
 2.1 CONTACT: 50u" MIN NICKEL UNDERPLATED ALL OVER.
 GOLD FALSH PLATING ON SOLDERTAIL.
 GOLD PLATING (THICKNESS SEE TABLE) ON CONTACT AREA.
 2.2 SOLDER PEG:
 50u" MIN NICKEL UNDERPLATED ALL OVER.
 AU 2u" MAX ON SOLDERTAIL.
 3. DATE CODE : YYWWDLX
 YY: YEAR (09: 2009)
 WW: WEEK (25: THE 25TH WEEK)
 D: DAY (1~7: SUNDAY~SATURDAY)
 L: LINE NUMBER OF ASSEMBLY (A: LINE A)
 X: D OR N (D: DAY; N: NIGHT)



MATING: ① INSERTING(25°) — ② ROTATING — ③ FIXED
 UNMATING: ④ UNFIXED — ⑤ ROTATING — ⑥ WITHDRAWING

RoHS Compliant

TOLERANCES ARE
 X, ±
 .X ±
 .XX ±
 .XXX ±
 ANG ±

照片框

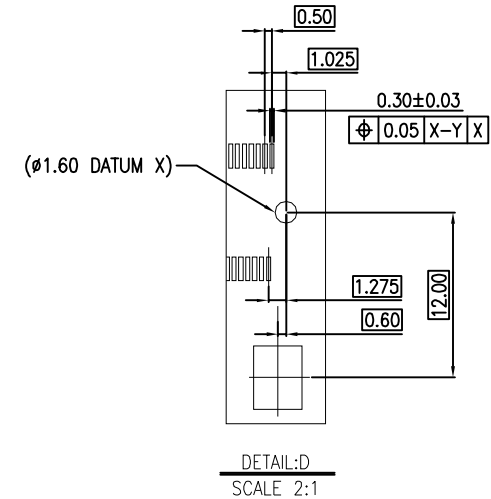
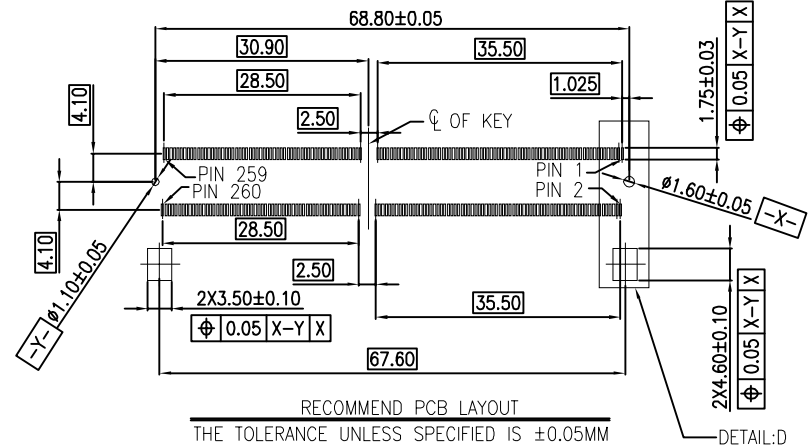
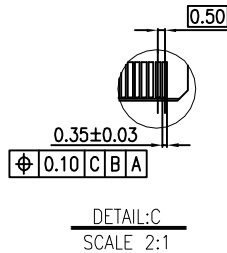
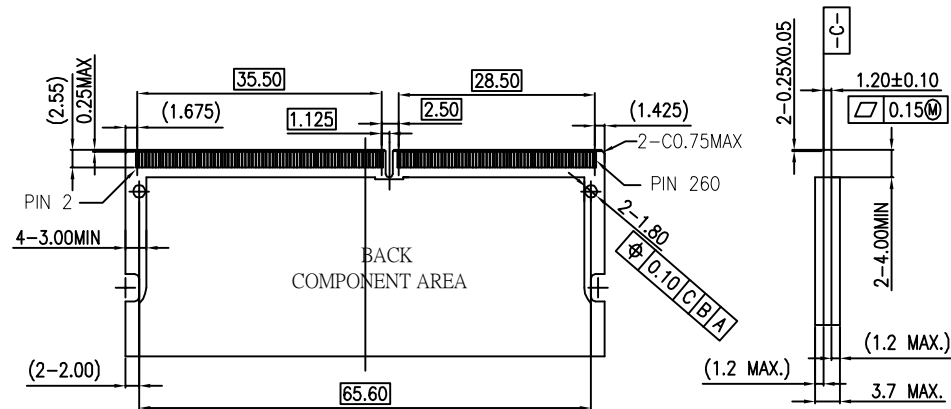
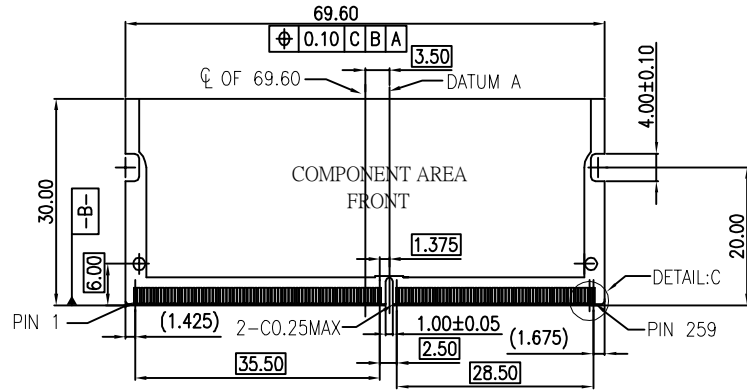
ORDER INFORMATION

SDM5-W40V12R-144116-LF
 SERIES | | | | LEADFREE
 | | | | 144+116 WAY
 | | | | REEL
 | | | | 12V
 | | | | HIGH 4.0mm
 | | | | 90°SMT

DESCRIPTION: DDR4 SO DIMM 260P 4.0H STD

MORETHANALL
 PCB CONNECTORS
 Cable ASSEMBLIES
 煜倫股份有限公司
 www.morethanall.com

DRAWING BY CY
 CHECKED BY GENIUS
 UNIT / mm SCALE 1 : 1
 DATE
 SIZE A4 PPROJECTION



RoHS Compliant

TOLERANCES ARE

MORETHANALL
PCB CONNECTORS
Cable ASSEMBLIES

DRAWING BY CY

X, ±

CHECKED BY GENIUS

.X ±

UNIT / mm

SCALE 1:1

.XXX ±

DATE

ANG ±

SIZE A4

PJECTION

照片框

ORDER INFORMATION

SDM5-W40V12R-144116-LF

SERIES

12V

REEL

HIGH 4.0mm

90°SMT

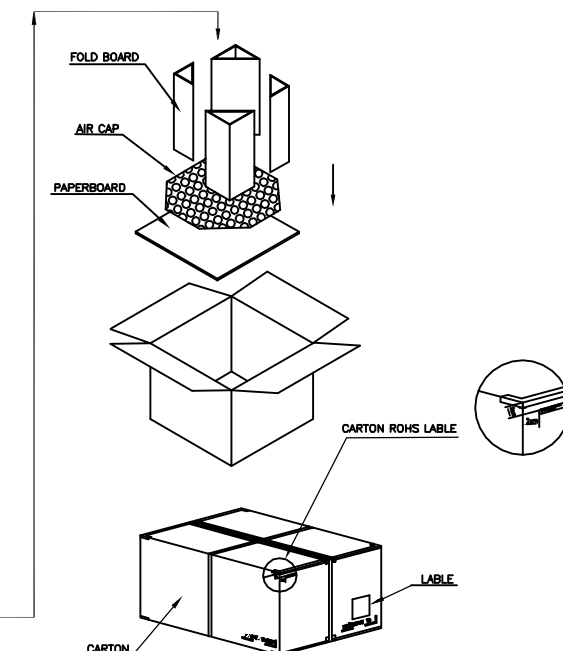
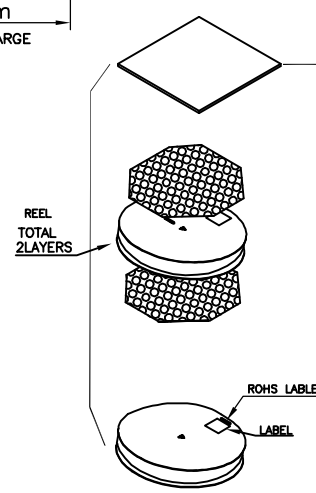
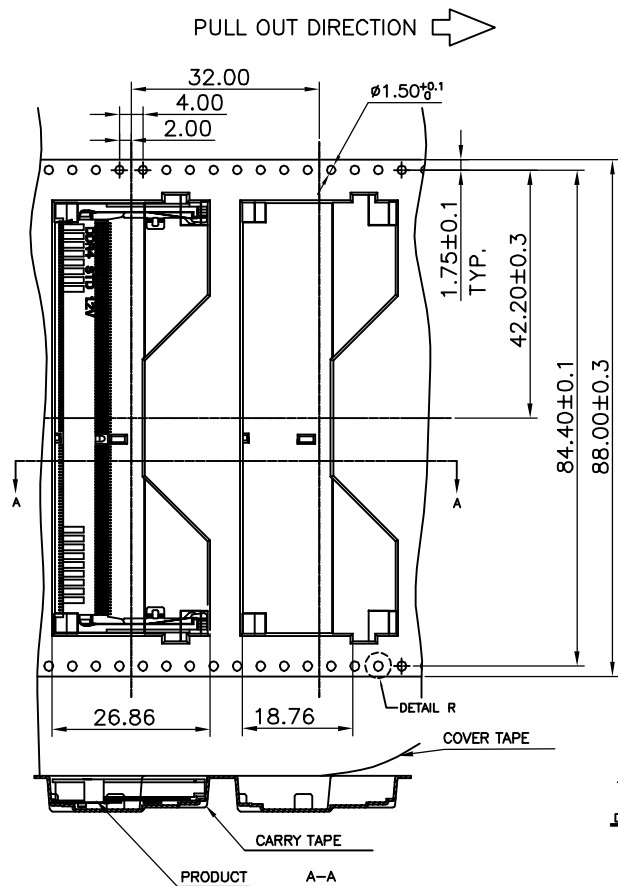
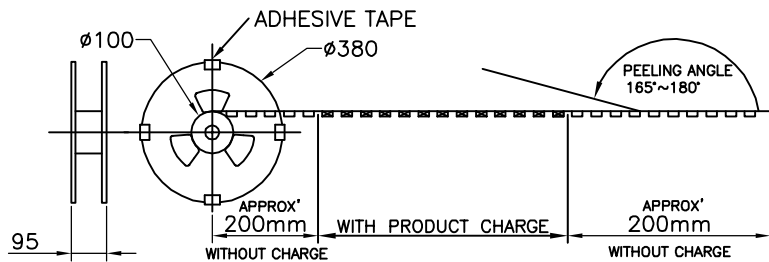
LEADFREE

144+116 WAY

煜倫股份有限公司

www.morethanall.com

DESCRIPTION: DDR4 SDRAM DIMM 260P 4.0H STD



RoHS Compliant

TOLERANCES ARE

MORETHANALL
PCB CONNECTORS
Cable ASSEMBLIES

DRAWING BY CY

X, ±

CHECKED BY GENIUS

.X ±

UNIT / mm

SCALE 1 : 1

.XX ±

DATE

.XXX ±

ANG ±

SIZE A4

PJECTION

照片框

ORDER INFORMATION

SDM5-W40V12R-144116-LF

SERIES

REEL

12V
HIGH 4.0mm

90°SMT

LEADFREE
144+116 WAY

煜倫股份有限公司

www.morethanall.com

DESCRIPTION: DDR4 SO DIMM 260P 4.0H STD