

DETAIL A
SCALE 2.5/1

NOTE 1:
DATE CODE
0 2 0 2
↑ ↑ ↑ ↑
Y W W D
2010 DAY (1~7)
20 (WEEK 01~52)

SPECIFICATION:

1. ELECTRICAL

- 1.1 Current Rating: 0.5A per pin
- 1.2 Voltage Rating: 100V AC/DC
- 1.3 Contact Resistance: 8
- 1.4 Insulation Resistance: 1000M
- 1.5 Dielectric Withstanding Voltage: 500VAC

2. MECHANICAL

- 2.1 Durability: 10000 Cycle
- 2.2 Contact Retention Force: 2.5N per pin min.
- 2.3 Card Insertion / Eject Force: 9.8N max.
- 2.4 Card Release Force: 6N~9N

3. ENVIRONMENTAL

- △ 3.1 Operating temperature range: -40 $\dot{\text{S}}$ ~ +90 $\dot{\text{S}}$
- 3.2 Storage temperature range: -40 $\dot{\text{S}}$ ~ +90 $\dot{\text{S}}$

10	SPRING	PIANO WIRE, NICKEL PLATED	1
9	DRAG LINK	STAINLESS	1
8	SHELL	STAINLESS, GOLD FLASH	1
7	LATCH	STAINLESS	1
6	COMMON PIN	PHOSPHOR BRONZE, GOLD FLASH	1
5	CARD DETECTION PIN	PHOSPHOR BRONZE, GOLD FLASH	1
4	WRITE PROTECTION PIN	PHOSPHOR BRONZE, GOLD FLASH	1
3	CONTACT	PHOSPHOR BRONZE, 10 μ " GOLD PLATED	9
2	SLIDEER	LCP UL94V-0	1
1	BODY	LCP UL94V-0	1
NO.	PART NAME	DESCRIPTION	Q'TY

RoHS Compliant

TOLERANCES ARE

MORETHANALL
PCB CONNECTORS
Cable ASSEMBLIES

DRAWING BY CY

X, \pm

CHECKED BY GENIUS

.X, \pm

UNIT / mm

SCALE 1 : 1

.XXX, \pm

DATE

ANG, \pm

SIZE A4

PJECTION

照片框

ORDER INFORMATION

SDC-W27PB02R-09-LF

SERIES | | | | | LEADFREE

09WAY

REEL

EAR/POST 2.80mm

B TYPE

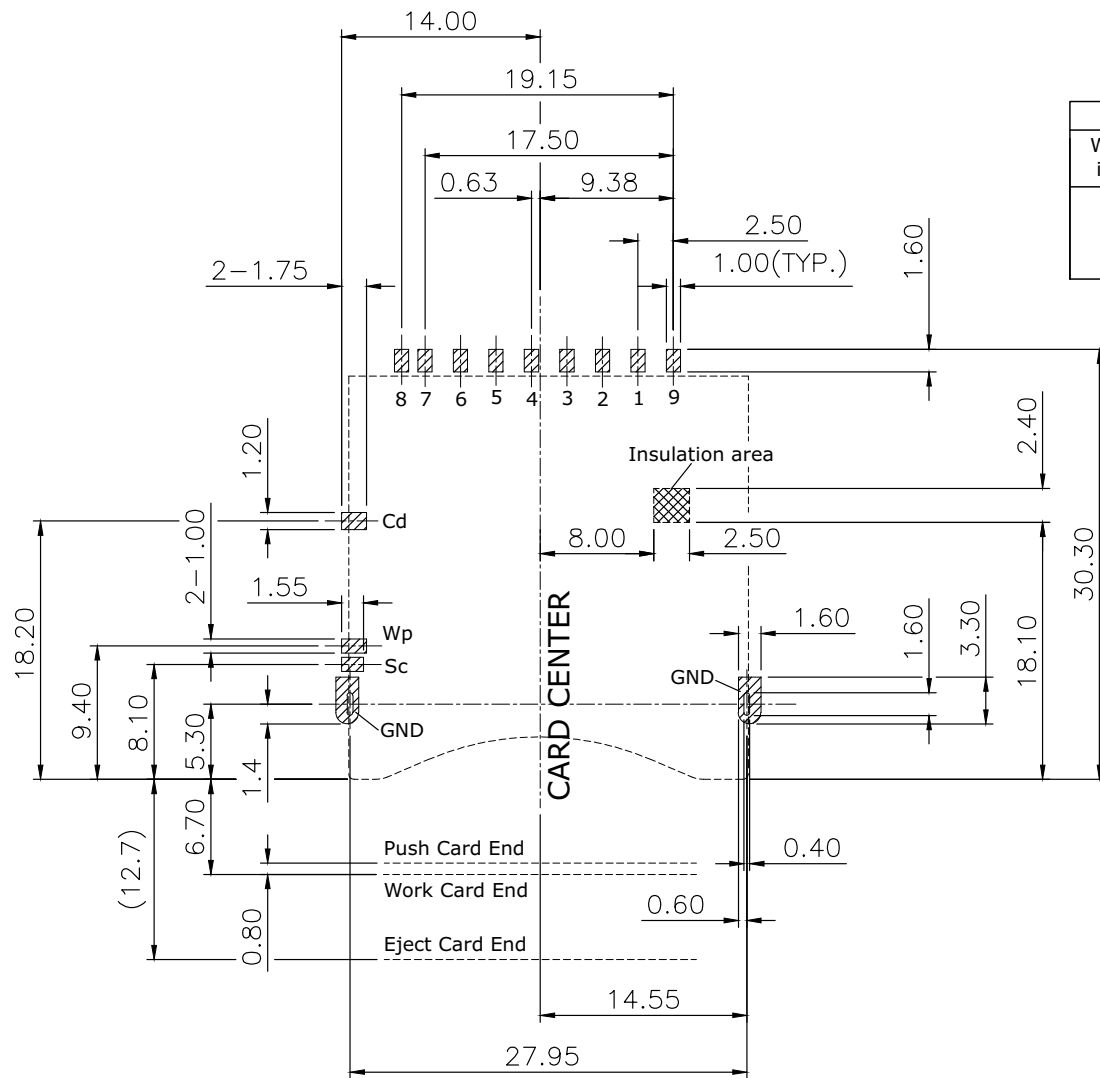
PUSH PUSH

90°SMT
POST TO POST 27.95mm

DESCRIPTION: SD Socket Top Mount Push-Push Type, Card Lock Function

煜倫股份有限公司

www.morethanall.com



Card Detection Switch		Write Protection Switch		
When Card is Ejected	When Card is Inserted	When Card is Ejected	When Card is Inserted	
			Write Protect	Write Enable
OPEN	CLOSE	OPEN	OPEN	CLOSE
Cd Sc	Cd Sc	Wp Sc	Wp Sc	Wp Sc

PIN NO.	PIN ASSIGNMENT
1	DAT3/CS/CD
2	CMD
3	VSS1
4	VDD
5	CLK
6	VSS2
7	DAT0
8	DAT1
9	DAT2
Wp	WRITE PROTECTION
Cd	CARD DETECTION
Sc	COMMON PIN
G	SDIO / GROUND

RECOMMEND PCB LAYOUT (TOP VIEW)

RoHS Compliant

TOLERANCES ARE

MORETHANALL
PCB CONNECTORS
Cable ASSEMBLIES

煜倫股份有限公司

www.morethanall.com

DRAWING BY CY

CHECKED BY GENIUS

UNIT / mm SCALE 1 : 1

DATE

SIZE A4

X, ±
.X ±
.XX ±
.XXX ±
ANG ±

PJECTION

照片框

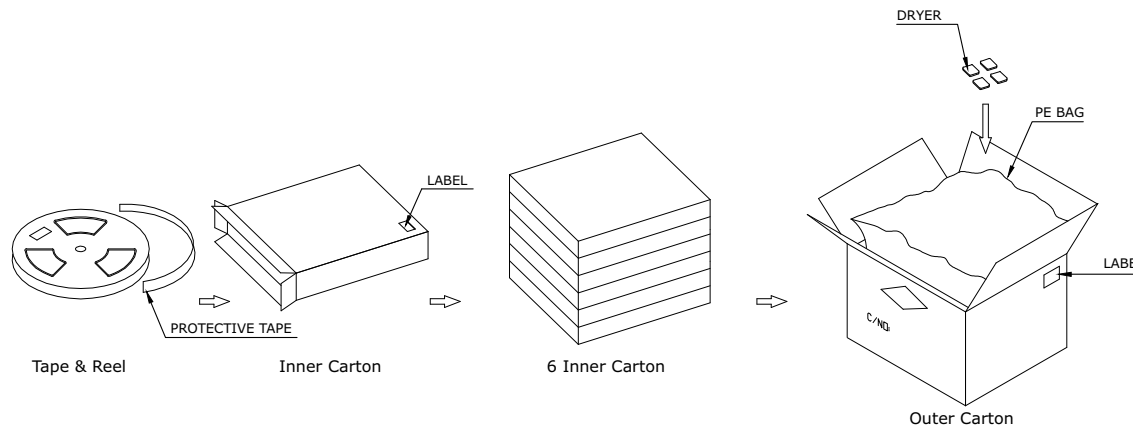
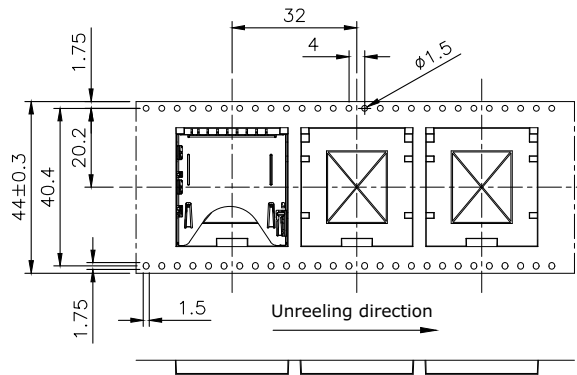
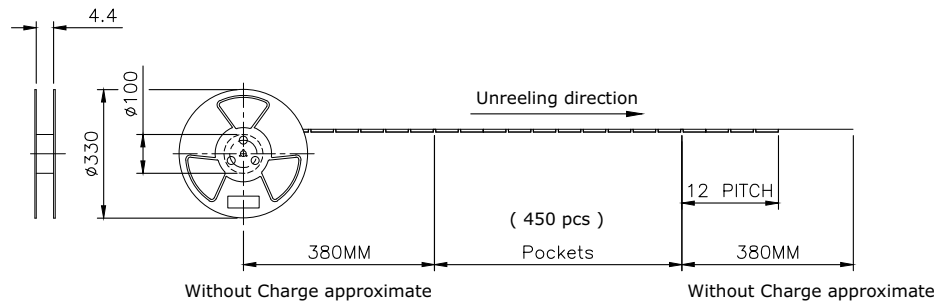
ORDER INFORMATION

SDC-W27PB02R-09-LF

SERIES | | | | | LEADFREE
09WAY
REEL
EAR/POST 2.80mm
B TYPE
PUSH PUSH

90°SMT
POST TO POST 27.95mm

DESCRIPTION: SD Socket Top Mount Push-Push Type, Card Lock Function



PACKAGING SPECIFICATION:

1. MATERIAL

- 1.1 Embossed Carrier Tape: PS Black
- 1.2 Top Cover Tape: PET
20-80g(Peel Speed 300mm/Minute)
- 1.3 Taping Reel: Plastic

2. PACKING

- 2.1 Quantity:
450 Piece/Reel
1 Reel/Inner Carton
6 Inner Carton/ Outer Carton
2,700 Piece/Outer Carton

RoHS Compliant

TOLERANCES ARE

MORETHANALL
PCB CONNECTORS
Cable ASSEMBLIES

煜倫股份有限公司

www.morethanall.com

DRAWING BY CY

CHECKED BY GENIUS

UNIT / mm SCALE 1 : 1

DATE

SIZE A4

X, ±

.X ±

.XX ±

.XXX ±

ANG ±

PJECTION

照片框

ORDER INFORMATION

SDC-W27PB02R-09-LF

SERIES | | | | | LEADFREE

09WAY

REEL

EAR/POST 2.80mm

B TYPE
PUSH PUSH

90°SMT
POST TO POST 27.95mm

DESCRIPTION: SD Socket Top Mount Push-Push Type, Card Lock Function