

6	SD板下沉板下外觀	SUS304	1
5	SD拉桿	SWP	1
4	SD機構	LCP	1
3	SD板下沉板下彈簧	SUS	1
2	SD板下沉板下端子	C2680-SH	1
1	SD板下主體	LCP	1
ITEM	Title	Material	Pcs

RoHS Compliant

TOLERANCES ARE

MORETHANALL
PCB CONNECTORS
Cable ASSEMBLIES

煜倫股份有限公司

www.morethanall.com

DRAWING BY CY

CHECKED BY GENIUS

UNIT / mm SCALE 1 : 1

DATE

SIZE A4

X, ±
X ± 0.38
.XX ± 0.25
.XXX ± 0.10
ANG ±

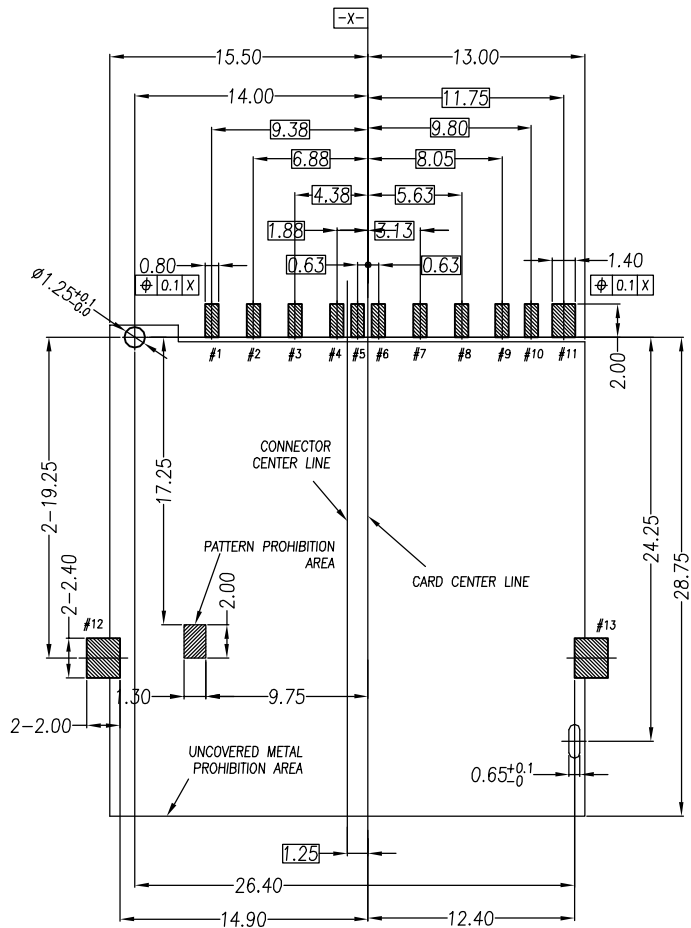
PJECTION

照片框

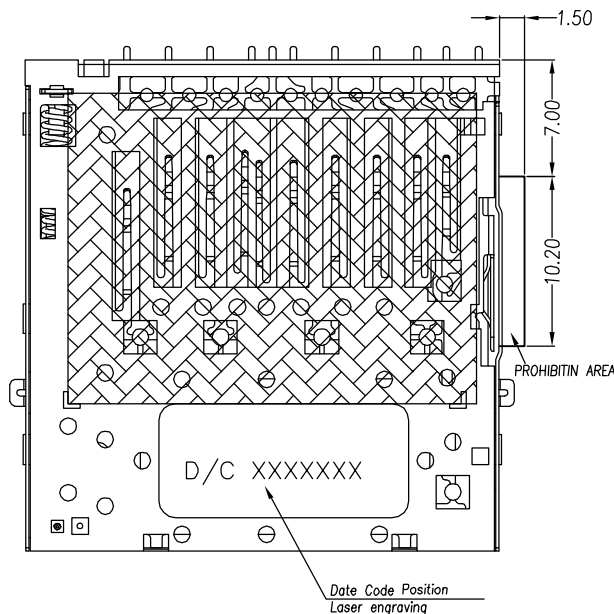
ORDER INFORMATION

SDC-W26PA190-09-LF
SERIES | | | | | LEADFREE
90°SMT | | | | | PAD TO POST 19.25mm
UPPER CONTACT
PUSH PUSH
POST 26.40mm

DESCRIPTION:



RECOMMEND P.C.B LAYOUT
TOLERANCE ±0.05



WITHOUT CARD		CARD INSERTED:LOCK		CARD INSERTED:UNLOCK	
W/P #11	GND #12	W/P #11	GND #12	W/P #11	GND #12
C/D #04	VSS1 #05	C/D #04	VSS1 #05	C/D #04	VSS1 #05

Specification

- *Electrical Characteristics:
 - Contact Current Rating:0.5 Amperes.
 - Dielectric Withstanding Voltage:AC500V r.m.s.
 - Insulation Resistance:1000 MΩ Minimum.
 - Contact Resistance:100 mΩ Maximum.
- *Environmental:
 - Operating Temperature:-25°C~+85°C.
- *Mechanical Characteristics:
 - Mating Cycles:10,000 Cycles Insertion/Extraction
 - Card Push Insertion/Out Force:1kgf Maximum.
 - Contact Retention Force:0.15kgf Minimum.
- *Material:
 - Insulator:HI-Temp Plastic UL 94V-0 Rated.
 - Contact:Copper Alloy.
 - Shell:Stainless Steel.
 - Spring:SWPB.

Pin Define

Connector Pin No.	SD Card Pin No.	Pin Define
P1	P9	DAT2
P2	P1	DAT3
P3	P2	CMD
P4		CD
P5	P3	VSS1
P6	P4	VDD
P7	P5	CLK
P8	P6	VSS2
P9	P7	DAT0
P10	P8	DAT1
P11		W/P
P12		GND
P13		GND

RoHS Compliant

TOLERANCES ARE

MORETHANALL
PCB CONNECTORS
Cable ASSEMBLIES
煜倫股份有限公司
www.morethanall.com

DRAWING BY CY	
CHECKED BY GENIUS	
UNIT / mm	SCALE 1 : 1
DATE	
SIZE A4	PJECTION

X, ±
.X ± 0.38
.XX ± 0.25
.XXX ± 0.10
ANG ±

照片框

ORDER INFORMATION

SDC-W26PA190-09-LF
SERIES | | | | | LEADFREE
90°SMT | | | | | PAD TO POST 19.25mm
UPPER CONTACT
PUSH PUSH
POST 26.40mm

DESCRIPTION: SD CARD PUSH PUSH REVERSE H=3.25