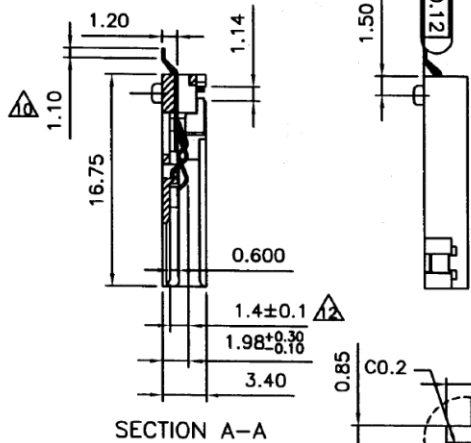
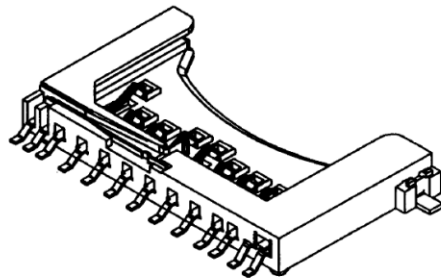
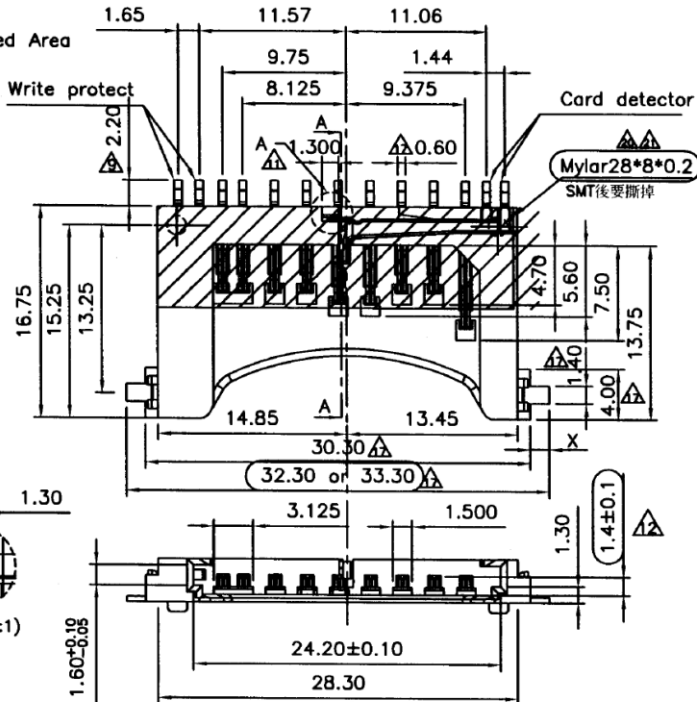


RECOMMENDED P.C.B LAYOUT  
TOLERANCES: ±0.05mm



Detail A(2:1)



**SPECIFICATION**  
**MATERIAL**  
 Insulator: Thermal Plastic UL94V-0  
 Contacts: Copper Alloy  
 Boardlock: Copper Alloy  
**CONTACT PLATING**  
 Underplate: 50u"~100u" Nickel  
 Contact Area: 1u"~30u" Selective Gold  
 Solder Tails Area: 100u"~200u" Tin/Lead or 100u"~200u" Tin(Lead Free)  
**ELECTRICAL**  
 Current Rating: 1 Amps Max.  
 Contact Resistance: 100 mohms Max.  
 Insulation Resistance: 1000 Mohms Min.  
**MECHANICAL**  
 Mating Cycle: 10000 Cycles Minute  
 Operating temperature: -40°C To +85°C

PIN#	NAME
1	CD/DAT3
2	CMD
3	VSS1
4	VDD
5	CLK
6	VSS2
7	DAT0
8	DAT1
9	DAT2

RoHS Compliant

TOLERANCES ARE

**MORETHANALL**  
PCB CONNECTORS  
Cable ASSEMBLIES

DRAWING BY CY

X. ± 0.50

CHECKED BY GENIUS

X ± 0.30

UNIT / mm

SCALE 1 : 1

.XX ± 0.20

DATE

.XXX ±

ANG ± 5°

SIZE A4

P PROJECTION

照片框

ORDER INFORMATION

SDC-W25XBC-09-LF  
 SERIES | | | | LEADFREE  
 | | | | 09WAY  
 | | | | MYLAR  
 90°SMT | | | | B TYPE  
 | | | | NON PUSH  
 | | | | POST TO POST 25.3mm

煜倫股份有限公司

www.morethanall.com

DESCRIPTION: