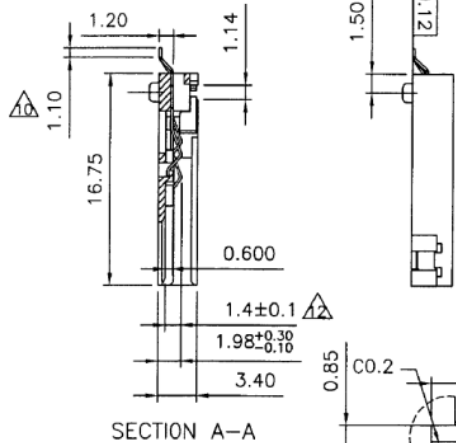
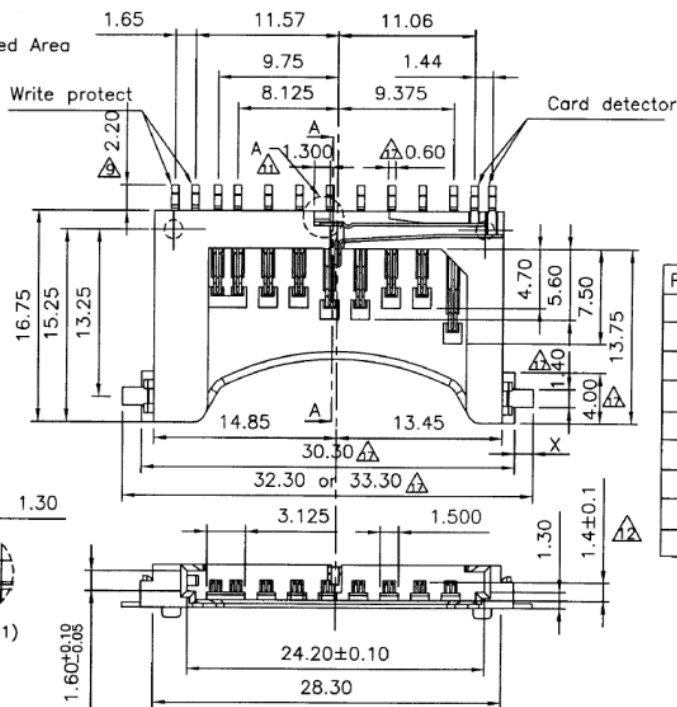


RECOMMENDED P.C.B LAYOUT
TOLERANCES: ±0.05mm

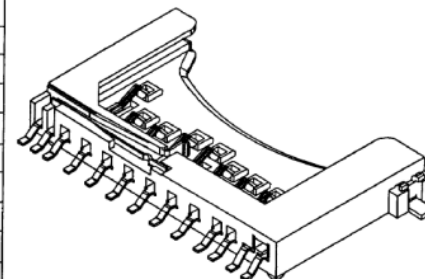


Detail A(2:1)



SPECIFICATION
MATERIAL
 Insulator: Thermal Plastic UL94V-0
 Contacts: Copper Alloy
 Boardlock: Copper Alloy
CONTACT PLATING
 Underplate: 50u"~100u" Nickel
 Contact Area: 1u"~30u" Selective Gold
 Solder Tails Area: 100u"~200u" Tin/Lead or 100u"~200u" Tin(Lead Free)
ELECTRICAL
 Current Rating: 1 Amps Max.
 Contact Resistance: 100 mohms Max.
 Insulation Resistance: 1000 Mohms Min.
MECHANICAL
 Mating Cycle: 10000 Cycles Minute
 Operating temperature: -40°C To +85°C

PIN#	NAME
1	CD/DAT3
2	CMD
3	VSS1
4	VDD
5	CLK
6	VSS2
7	DAT0
8	DAT1
9	DAT2



RoHS Compliant

TOLERANCES ARE

MORETHANALL
PCB CONNECTORS
Cable ASSEMBLIES

煜倫股份有限公司

www.morethanall.com

DRAWING BY CY

CHECKED BY GENIUS

UNIT/ mm SCALE 1:1

DATE

SIZE A4

X. ± 0.50

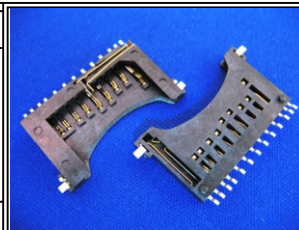
.X ± 0.30

.XX ± 0.20

.XXX ±

ANG ± 5°

PJECTION



ORDER INFORMATION

SDC-W25XB-09-LF
 SERIES | | | LEADFREE
 | | | 09WAY
 | | | B TYPE
 90°SMT | | NON PUSH
 POST TO POST 25.3mm

DESCRIPTION: