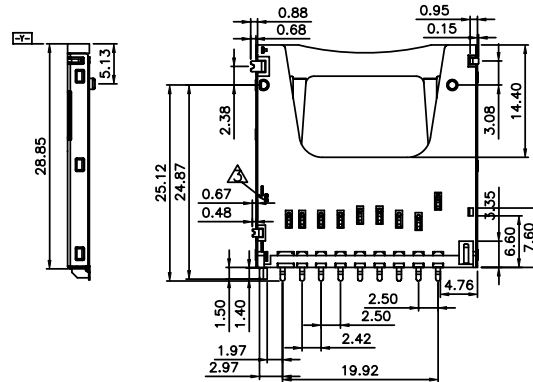
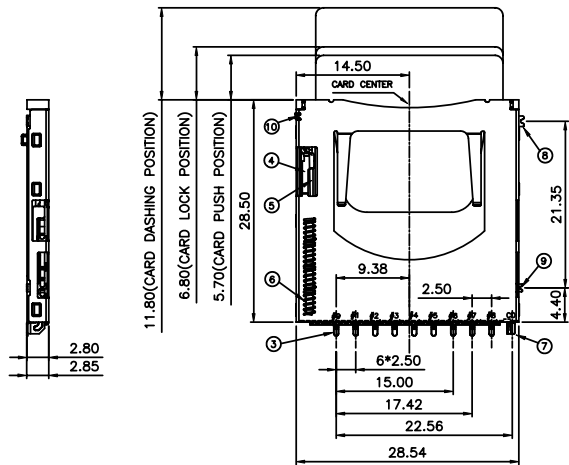
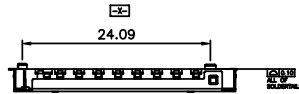
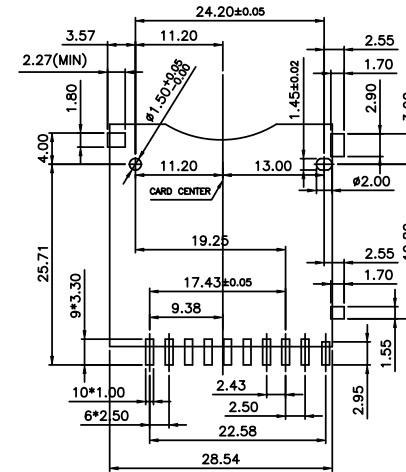


PIN DEFINE	
PAD NO.	MEMORY CARD
SD-01	SD-CD/DAT3
SD-02	SD-CMD
SD-03	SD-VSS
SD-04	SD-VDD
SD-05	SD-CLK
SD-06	SD-VSS
SD-07	SD-DAT0
SD-08	SD-DAT1
SD-09	SD-DAT2



ITEM	PARTS NAME	Q'TY	MATERIAL	FINISH/REMARK
項目	零件名稱	數量	材質	處理/備註
1	HOUSING	1	SYNTHETIC RESIN	BLACK
2	SHELL	1	STAINLESS	-
3	CONTACT-SD	1	COPPER ALLOY	5u"MIN. GOLD PLATING ON CONTACT AREA 80~100u"MIN. TIN PLATING 50u"MIN. NICKEL UPDERPLATING OVERALL
4	SLIDER CAM	1	SYNTHETIC RESIN	BLACK
5	CAM PIN	1	STAINLESS	-
6	SPRING	1	STAINLESS	-
7	DETECT CONTACT	1	COPPER ALLOY	5u"MIN. GOLD PLATING ON CONTACT AREA 80~100u"MIN. TIN PLATING 50u"MIN. NICKEL UPDERPLATING OVERALL
8	PROTECT CONTACT	1	COPPER ALLOY	5u"MIN. GOLD PLATING ON CONTACT AREA 80~100u"MIN. TIN PLATING 50u"MIN. NICKEL UPDERPLATING OVERALL
9	SW CONTACT	1	COPPER ALLOY	5u"MIN. GOLD PLATING ON CONTACT AREA 1u"MIN. GOLD PLATING ON CONTACT TAIL 50u"MIN. NICKEL UPDERPLATING OVERALL
10	GND CONTACT	1	COPPER ALLOY	80~100u"MIN. TIN PLATING 50u"MIN. NICKEL UPDERPLATING OVERALL

POSITION OF CARD	WITHOUT CARD	CARD INSERTED WRITE PROTECT : LOCK	CARD INSERTED WRITE PROTECT : UNLOCK
CIRCUIT	WP SW	WP SW	WP SW
	CD SW	CD SW	CD SW



SPECIFICATION
MATERIAL
 See drawing
STANDARD DATA
 Rating current:0.5A
 Operating temperature: -35°C ~ +85°C
 Storage temperature: -40°C ~ +90°C
ELECTRICAL
 Insulator resistance: 1000M ohms Min. @ 100V DC
 Withstanding voltage: 500V AC/minute
 Contact resistance: 100 m ohms Max.
MECHANICAL
 INSERTION FORCE: 40N(4.08kgf) MAX.
 WITHDRAWAL FORCE: 2.0(0.21kgf) MIN.
 Durability: 10000 cycles Min.
 Contact retention force: 2.45N(0.25kgf) Min

RoHS Compliant

TOLERANCES ARE

MORETHANALL
 PCB CONNECTORS
 Cable ASSEMBLIES
煜倫股份有限公司

DRAWING BY CY

CHECKED BY GENIUS

UNIT / mm

SCALE 1 : 1

DATE

SIZE A4

X. ± 0.50

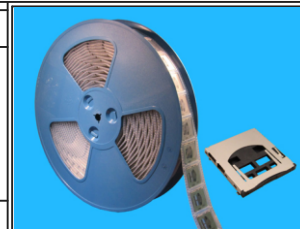
.X ± 0.30

.XX ± 0.20

.XXX ±

ANG ± 5°

PJECTION



ORDER INFORMATION

SDC-W24PB20B00R-09-LF

SERIES LEADFREE

09WAY

REEL

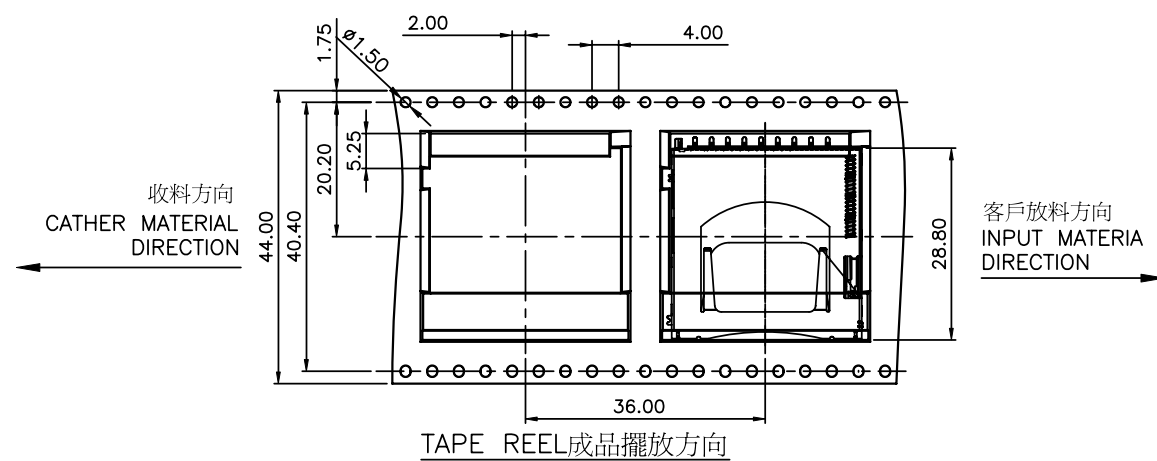
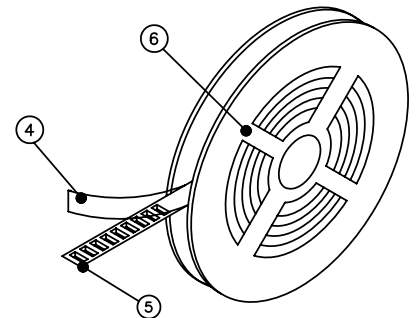
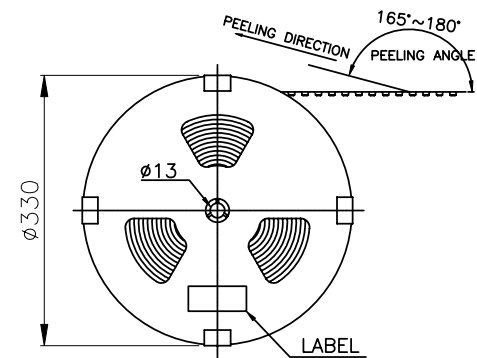
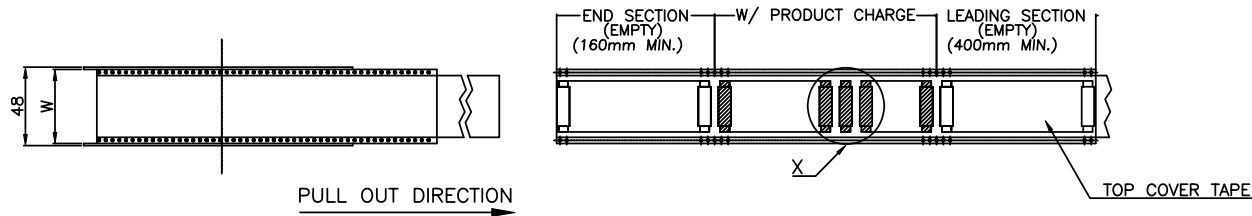
90°SMT 0.0mm STANDOFF

POST TO POST 24.0mm EAR/POST 2.45mm

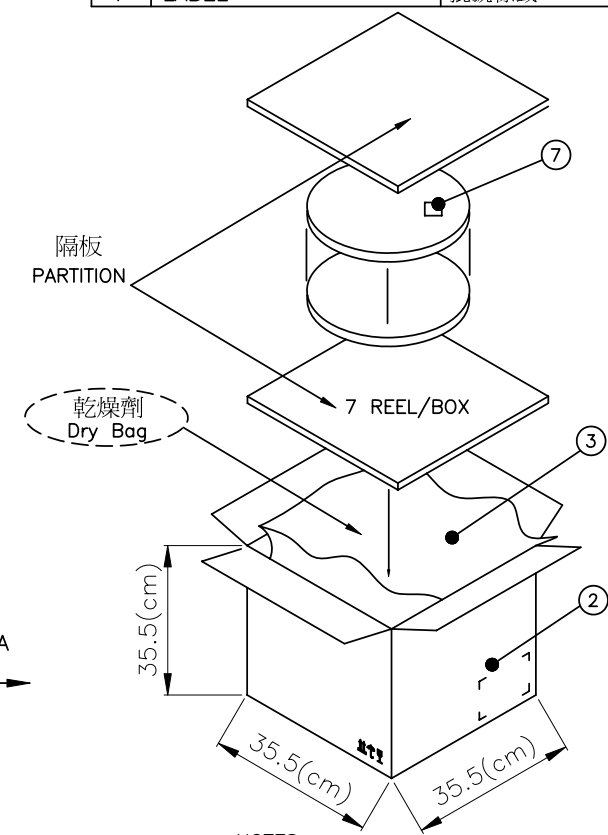
PUSH PUSH B TYPE

DESCRIPTION: SD CONNECTOR <<NORMAL TYPE>>

www.morethanall.com



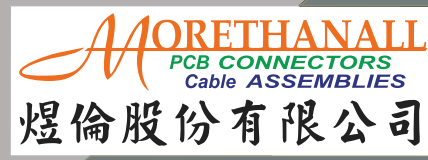
ITEM 項目	PARTS NAME 零件名稱	FINISH/REMARK 處理/備註
1	SD CONNECTOR	2450 PCS/BOX(REFERENCE)
2	BOX	7 REEL/BOX
3	WATERPROOF BAG	1 PCS
4	REEL	350 PCS/REEL(REFERENCE)
5	COVER TAPE	Wide=44mm
6	CARRIER TAPE	--
7	LABEL	批號標籤



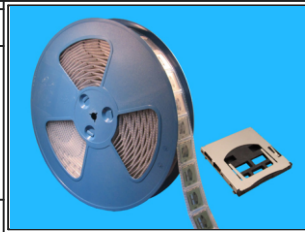
NOTES
 1.MATERIAL: PS (Color: 透明白)
 2.DEFORMATION(變形)&DAMAGE(損壞): NA.(不可)
 3.All dimensions meet EIA-481-C requirements.

RoHS Compliant

TOLERANCES ARE



DRAWING BY CY		X. ± 0.50
CHECKED BY GENIUS		.X ± 0.30
UNIT / mm	SCALE 1 : 1	.XXX ±
DATE		ANG ± 5°
SIZE A4	PJECTION	



ORDER INFORMATION

SDC-W24PB20B00R-09-LF
 SERIES | | | | | LEADFREE
 | | | | | 09WAY
 REEL
 90°SMT
 POST TO POST 24.0mm
 0.0mm STANDOFF
 PUSH PUSH B TYPE
 EAR/POST 2.45mm

DESCRIPTION:

www.morethanall.com