

Notes:

(1) MATERIAL:

1-1 PLASTICS: HIGH TEMPERATURE PLASTIC
UL94-V0

1-2 CONTACT: COPPER ALLOY

1-3 SHELL: STAINLESS STEEL

(2) PLATING OF CONTACT:

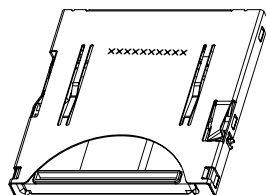
2-1 UNDER PLATING: NICKEL OVER ALL

2-2 CONTACT AREA: GOLD FLASH

2-3 SOLDERING AREA: Sn

(3) SOLDER TRAIL COPLANARITY TO BE 0.12mm MAX.

(4) PRODUCT PACKING: HARD TRAY

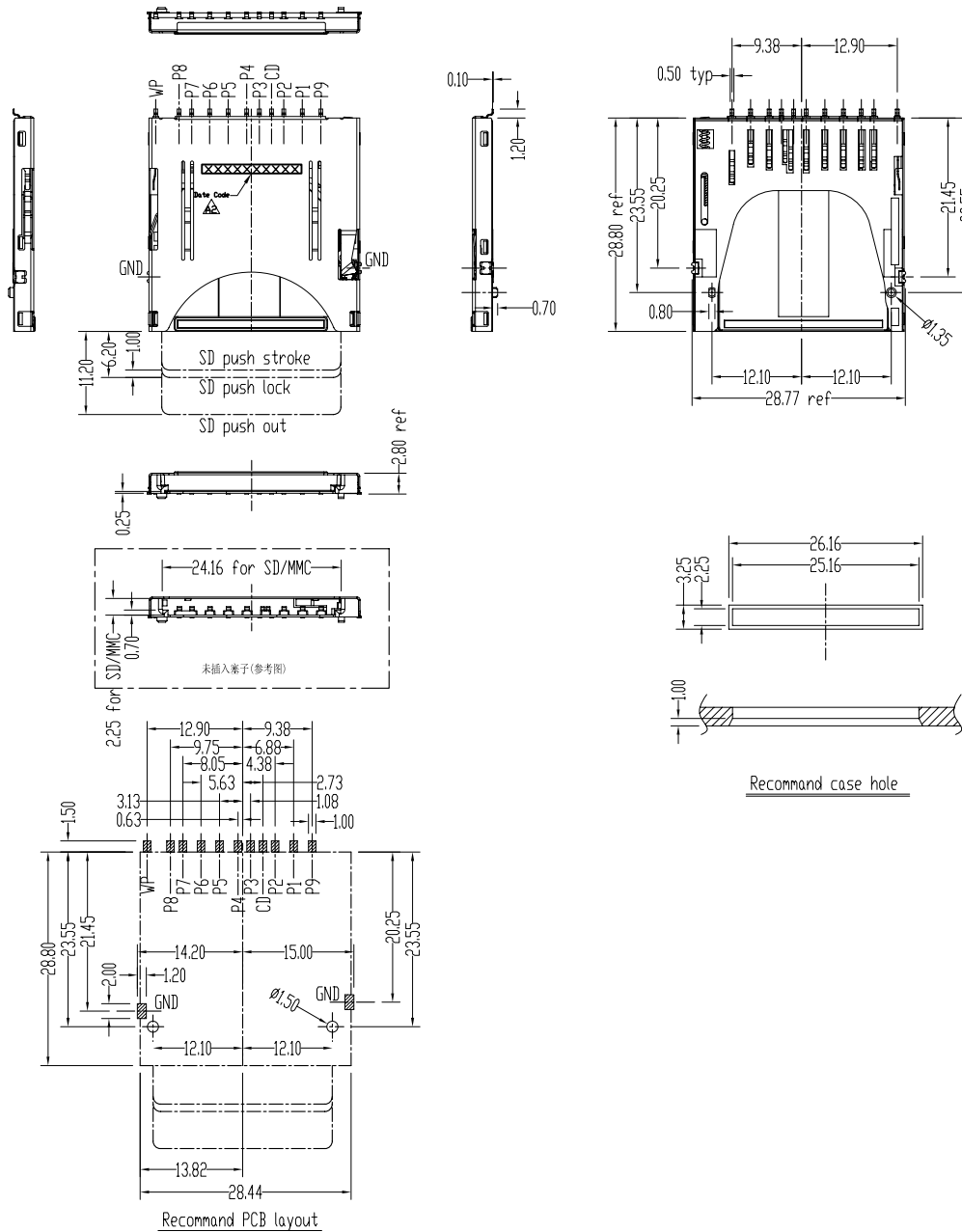


SDC-W24PB02D-09-LF

LEADFREE

RoHS Compliant

SD CARD PIN DESIGN			
Pin#	Name	Type	Description
1	CD/DAT3	I/O/PP	Card Detect/ Data Line [Bit 3]
2	CMD	PP	Command/Response
3	Vss1	S	Supply voltage ground
4	Vm	S	Supply voltage
5	CLK	I	Clock
6	Vss2	S	Supply voltage ground
7	DAT0	I/O/PP	Data Line [Bit 0]
8	DAT1	I/O/PP	Data Line [Bit 1]
9	DAT2	I/O/PP	Data Line [Bit 2]



Recommend case hole

Recommend PCB layout



PART NO. SDC-W24PB02D-09

DWG NO. SDC-W24PB02D-09

FILE NO.

UNIT / mm

SCALE 1:1

CHECKED BY CY

DRAWING BY

PROJECTION



TOLERANCES ARE

.X ± 0.2
.XX ±
.XXX ±
AWG

DESCRIPTION:

SD PUSH CONNECTOR 0.0MM STANDARD

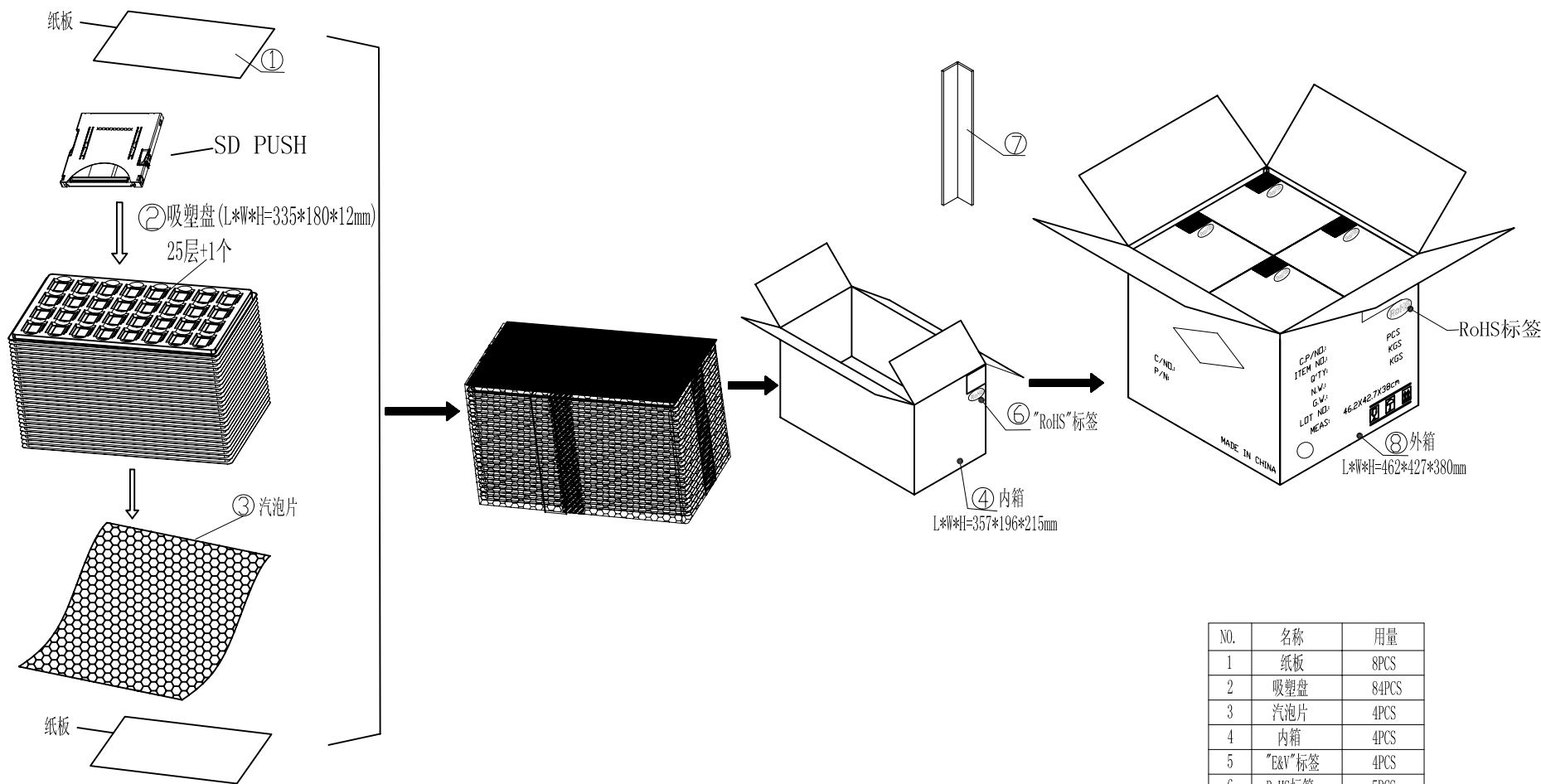
AREA

REVISIONS

HK

DATE

煜倫股份有限公司



包装方式:

- 1、每个吸塑盘放32PCS产品，每25层加1个空吸塑盘，再将吸塑盘用汽泡片包裹；
- 2、内箱先放1张纸板，再将包好的吸塑盘放入内箱，在上面放一张纸板后封箱；
- 3、每内箱装800PCS，每个内箱外需贴“RoHS”标签(位置见图面)；
- 4、每4个内箱入1个外箱，外箱四个角需放4个护角纸板，每外箱装3200PCS；
- 5、外箱需贴“RoHS”标签(位置见图面)。

NO.	名称	用量
1	纸板	8PCS
2	吸塑盘	84PCS
3	汽泡片	4PCS
4	内箱	4PCS
5	"E&V" 标签	4PCS
6	RoHS 标签	5PCS
7	护角板	4PCS
8	外箱	1PCS



PART NO. SDC-W24PB02D-09

DWG NO. SDC-W24PB02D-09

FILE NO.

UNIT / mm

SCALE 1:1

CHECKED BY CY

DRAWING BY

PROJECTION

TOLERANCES ARE
.X ± 0.2
.XX ±
.XXX ±
AWG

DESCRIPTION:
AREA

SD PUSH CONNECTOR 0.0MM STANDARD
REVISIONS
HK
DATE

煜倫股份有限公司