

11	Half Lock	1	Stainless Steel
10	Wing Ear	2	Copper Alloy, Selective Au Plating
9	Shell	1	Stainless Steel
8	Slider Lock Pin	1	Stainless Steel
7	Spring	1	SWP
6	Detect Switch Contact	1	Copper Alloy, Selective Au Plating
5	Protect Switch Contact	1	Copper Alloy, Selective Au Plating
4	Protect and Detect Switch Contact	1	Copper Alloy, Selective Au Plating
3	Contact	9	Copper Alloy, Selective Au Plating
2	Ejector	1	Thermoplastic UL 94V-0, Black
1	Housing	1	Thermoplastic UL 94V-0, Black
No.	Name	QTY	Material

RoHS Compliant

TOLERANCES ARE

MORETHANALL
PCB CONNECTORS
Cable ASSEMBLIES

DRAWING BY CY

X, ±

CHECKED BY GENIUS

.X ±

UNIT / mm

SCALE 1 : 1

.XX ±

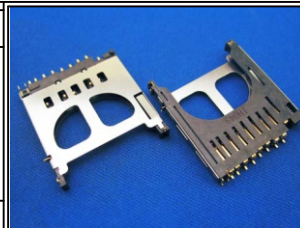
.XXX ±

ANG ±

DATE

SIZE A4

PJECTION



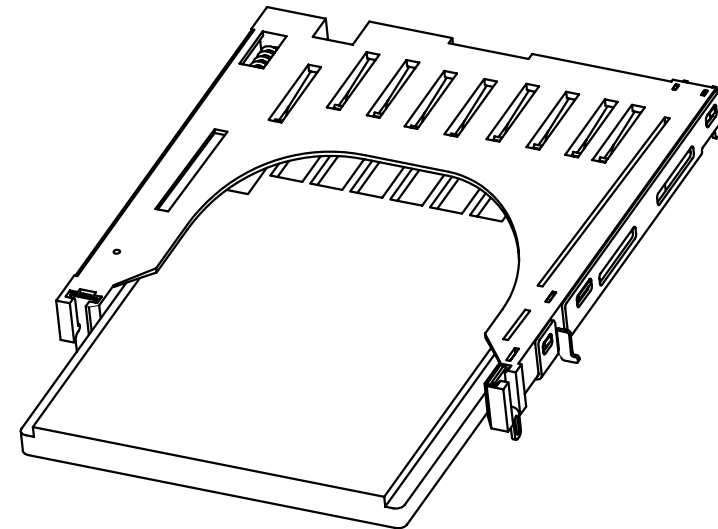
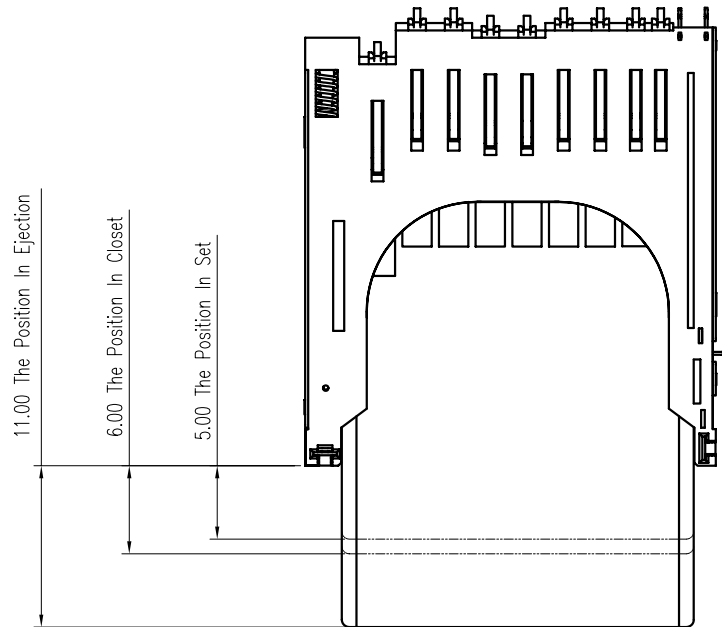
ORDER INFORMATION

SDC-W24PA-09-LF
SERIES | | | | LEADFREE
| | | | 09 WAY
| | | | UPPER CONTACT
| | | | PUSH PUSH
| | | | POST 24.90mm
| | | | 90°SMT

煜倫股份有限公司

www.morethanall.com

DESCRIPTION: SD Memory Card Conn. Push-Push Reverse (0.3H) Type



Notes:

- Contact and Switch Coplanarity to be 0.12mm Max.
- Opening/Close of Each Switch:

	Protect Contact		Detect Contact
	Write Protect Position	Write Enable Position	
Card Uninsertion	Open	Open	Open
Card Half Insertion	Close	Close	Open
Card Insertion	Open	Close	Close

- When Delivering The Push / Push Mechanism is in the State of The Unlock. (Card Dashing Out Position)

RoHS Compliant

TOLERANCES ARE

MORETHANALL
PCB CONNECTORS
Cable ASSEMBLIES

煜倫股份有限公司

www.morethanall.com

DRAWING BY CY

CHECKED BY GENIUS

UNIT / mm

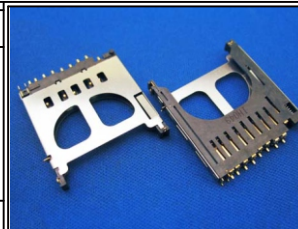
SCALE 1 : 1

DATE

SIZE A4

PJECTION

X. ±
.X ±
.XX ±
.XXX ±
ANG ±



ORDER INFORMATION

SDC-W24PA-09-LF
SERIES | | | LEADFREE
| | | 09 WAY
| | | UPPER CONTACT
| | | PUSH PUSH
| | | POST 24.90mm
| | | 90°SMT

DESCRIPTION: SD Memory Card Conn. Push-Push Reverse (0.3H) Type