

TECHNICAL CHARACTERISTICS

1. General Characteristics

Dimension: 23.60L x 10.15W x 1.30H mm
 Weight: Approx. 0.45 g
 Contact principle: Friction technology
 Operating position: Shaft up / Down / Horizontal
 Mounting System: SMT Type (post optional)
 Durability: 100,000 cycles min.

2. Mechanical Characteristics

Insulation material: Thermoplastic, UL 94V-0
 RoHS Directive 2002/95/EC Compliant

3. Electrical Characteristics

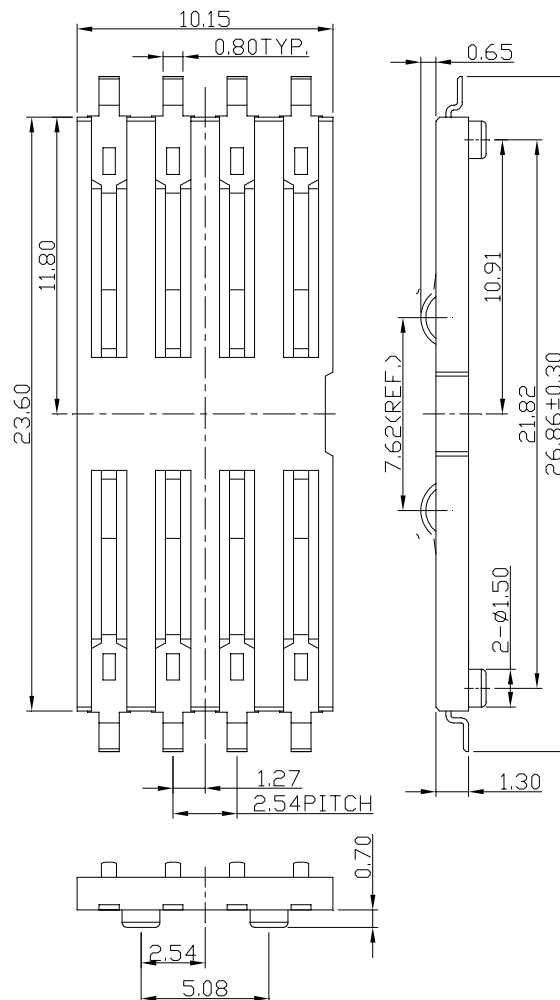
Number of contacts: 8 pins
 Contact resistance: 50 mΩ typical, 100 mΩ max.
 Insulation resistance: >1000 MΩ / 500 VDC

4. Solderability

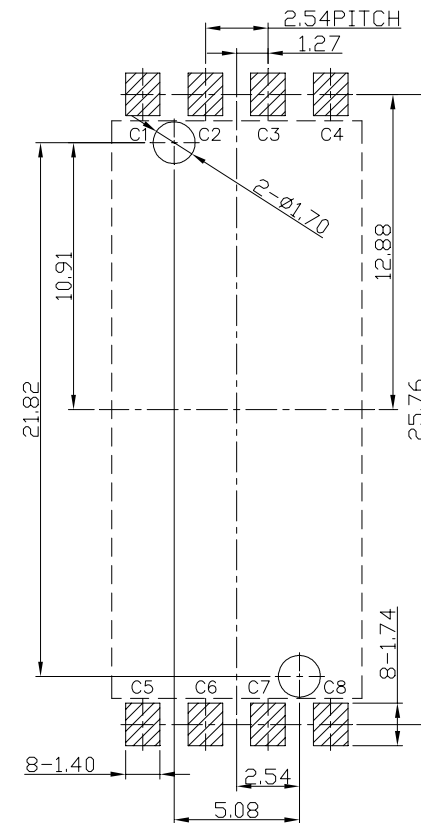
Wave: Not applicable
 IR reflow: 260°C, 10 sec. Max.
 Manual soldering: 360°C, 3 sec. Max.

5. Environmental Characteristics

Operating temperature: -40°C ~ +85°C
 Operating humidity: 10% ~ 95% RH
 Storage temperature: -40°C ~ +85°C
 Storage humidity: 10% ~ 95% RH



Unit: mm; Tolerances: ±0.15 mm
Mechanical outline dimension



Unit: mm; Tolerances: ±0.05 mm
Reference dimension for PCB layout



煜倫股份有限公司

www.morethanall.com

RoHS Compliant

DRAWING BY CY
 CHECKED BY GENIUS
 UNIT / mm SCALE 1 : 1
 DATE
 SIZE A4 PPROJECTION

TOLERANCES ARE

X. ±
 .X ±
 .XX ±
 .XXX ±
 ANG ±

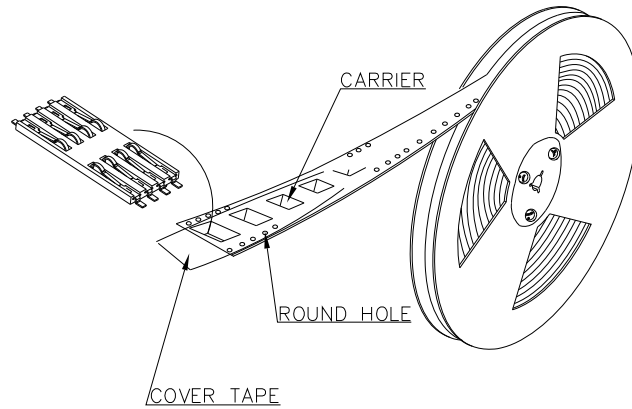
照片框

ORDER INFORMATION

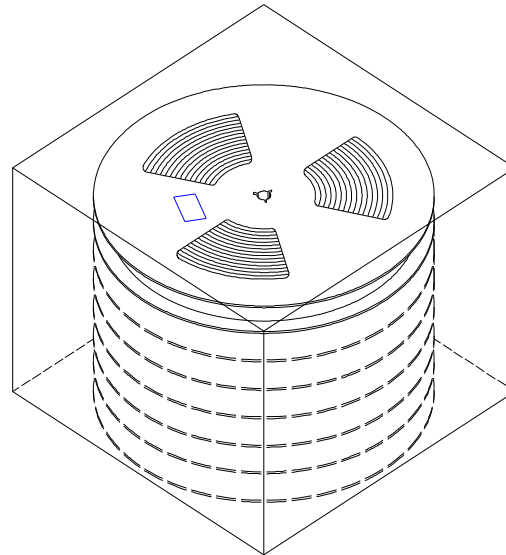
SCX-W2513PR-08-LF
 SERIES | | | | LEADFREE
 | | | | 08WAY
 | | | | REEL
 | | | | POST
 | | | | HIGH 1.3mm
 | | | | PAD TO PAD 25.76mm

DESCRIPTION:

APPENDIX A: PACKING INFORMATION



N. W. : 0.45 KGS
 G. W. : 1.00 KGS
 Q \square Y: 1,000 PCs per reel
 Meas. : dia. 33 CM, W 4.4 CM



N. W. : 2.7 KGS
 G. W. : 7.2 KGS
 Q \square Y: 6,000 PCs per carton
 (6 reels set in order)
 Meas. : 35.0L x 35.0W x 32.5H CM

RoHS Compliant

TOLERANCES ARE

MORETHANALL
 PCB CONNECTORS
 Cable ASSEMBLIES

煜倫股份有限公司

www.morethanall.com

DRAWING BY CY

CHECKED BY GENIUS

UNIT / mm

SCALE 1:1

DATE

SIZE A4

X. \pm
 .X \pm
 .XX \pm
 .XXX \pm
 ANG \pm

P PROJECTION

照片框

ORDER INFORMATION

SCX-W2513PR-08-LF
 SERIES | | | | LEADFREE
 | | | | 08WAY
 | | | | REEL
 | | | | POST
 90°SMT | | | | HIGH 1.3mm
 | | | | PAD TO PAD 25.76mm

DESCRIPTION: