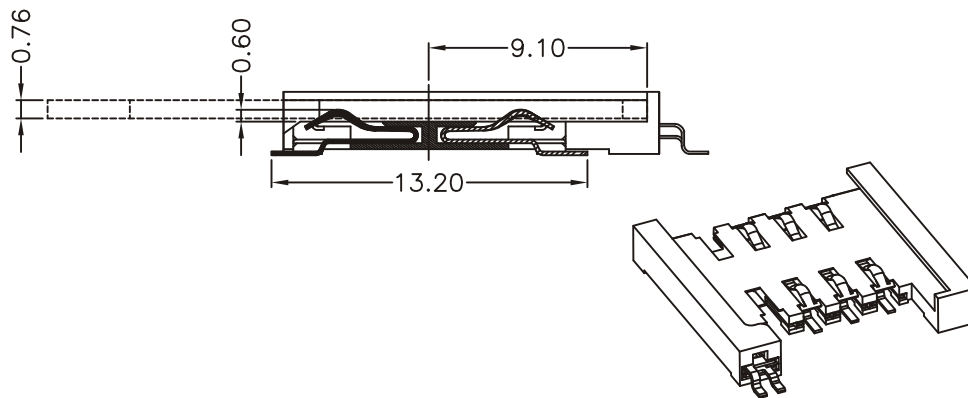


P.C.B LAYOUT  
TOP VIEW ±0.05



**MATERIALS**

HOUSING: HI-TEMP. PLASTIC (UL 94V-0), BLACK  
TERMINAL: PHOSPHOR BRONZE, GOLD PLATED

**SPECIFICATION**

CURRENT RATING: 0.5 AMP MAX  
DIELECTRIC WITHSTANDING: 500V AC FOR ONE MINUTE  
CONTACT RESISTANCE: 30m OHMS MAX  
INSULATION RESISTANCE: 1000M OHMS MIN AT DC 500V  
OPERATION TEMPERATURE: -25°C~+85°C

RoHS Compliant

TOLERANCES ARE

**MORETHANALL**  
PCB CONNECTORS  
Cable ASSEMBLIES

煜倫股份有限公司

www.morethanall.com

DRAWING BY CY

CHECKED BY GENIUS

UNIT / mm SCALE 1:1

DATE

SIZE A4

X ± 0.30

.X ± 0.30

.XX ± 0.20

.XXX ± 0.10

ANG ± 1°

P PROJECTION

照片框

ORDER INFORMATION

SCU-W12xxXB-06-LF

SERIES LEADFREE

06WAY

OPEN SWITCH

90°SMT NON POST

PAD TO PAD 12.60mm 24:HIGH 2.4mm

26:HIGH 2.6mm

DESCRIPTION: SIM CARD, 6PIN, PCB MOUNT, SMT, FEMALE, WITH SWITCH