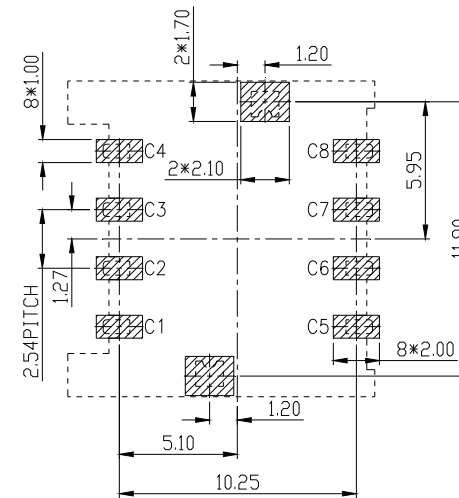


Unit: mm; Tolerances:  $\pm 0.15$  mm  
 Figure 5.1 Mechanical outline dimension (6 pins)



Unit: mm; Tolerances:  $\pm 0.05$  mm  
 Figure 5.2 Reference dimension for PCB layout (6 pins)

RoHS Compliant

TOLERANCES ARE

**MORETHANALL**  
 PCB CONNECTORS  
 Cable ASSEMBLIES

DRAWING BY CY

X,  $\pm$

CHECKED BY GENIUS

.X,  $\pm$

UNIT / mm

SCALE 1 : 1

.XX,  $\pm$

DATE

.XXX,  $\pm$

ANG,  $\pm$

照片框

ORDER INFORMATION

SCU-W1026XMR-08-LF

SERIES

LEADFREE

08WAY

REEL

METAL

NON POST

BODY HIGH 2.6mm

90°SMT

PAD TO PAD 10.0mm

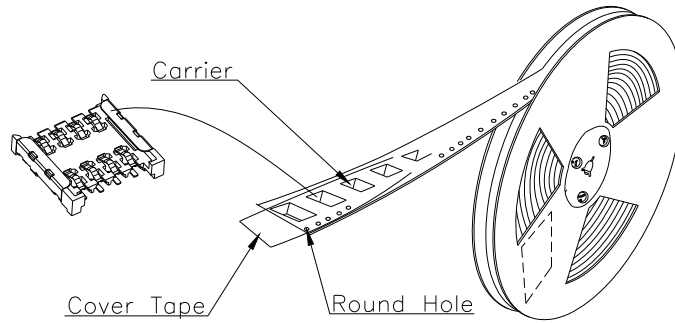
煜倫股份有限公司

www.morethanall.com

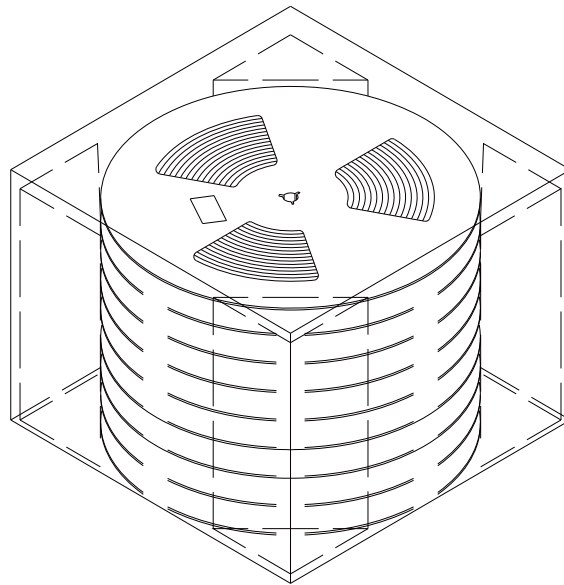
SIZE A4

PJECTION

DESCRIPTION:



N. W. : 0.27 KGS  
 G. W. : 0.82 KGS  
 Q Y: 700 PCs per reel  
 Meas. : dia. 33 CM, W2.4 CM



N. W. : 2.7 KGS  
 G. W. : 9.4 KGS  
 Q Y: 7,000 PCs per carton  
 (10 reels set in order)  
 Meas. : 35.0L x 35.0W x 32.5H CM

RoHS Compliant

TOLERANCES ARE

**MORETHANALL**  
 PCB CONNECTORS  
 Cable ASSEMBLIES

煜倫股份有限公司

www.morethanall.com

DRAWING BY CY

CHECKED BY GENIUS

UNIT / mm

SCALE 1:1

DATE

SIZE A4

X. ±  
 .X ±  
 .XX ±  
 .XXX ±  
 ANG ±

PJECTION

照片框

ORDER INFORMATION

SCU-W1026XMR-08-LF  
 SERIES | | | | | LEADFREE  
 | | | | | 08WAY

90°SMT REEL METAL  
 PAD TO PAD 10.0mm NON POST  
 BODY HIGH 2.6mm

DESCRIPTION: