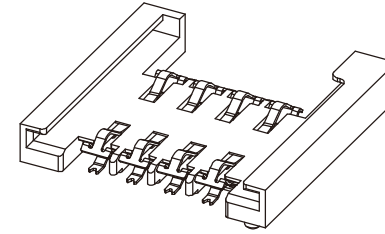
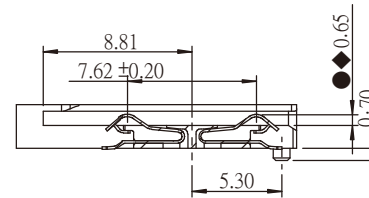
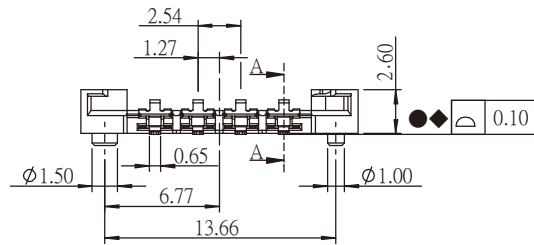


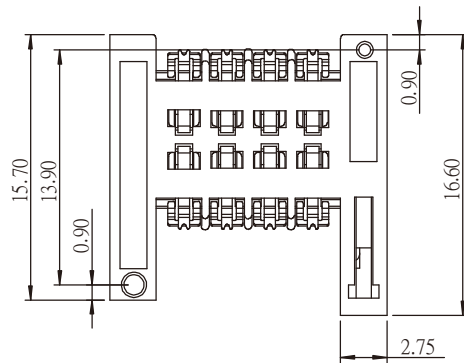
RECOMMENDED PCB LAYOUT



NOTE:
 1. INSPECTION SYMBOL:
 ● : MANUFACTURER INSPECTION
 ◆ : Q.C INSPECTION



A-A (3 : 1)



RoHS Compliant

TOLERANCES ARE

MORETHANALL
 PCB CONNECTORS
 Cable ASSEMBLIES

DRAWING BY CY

CHECKED BY GENIUS

UNIT / mm SCALE 1 : 1

DATE

SIZE A4

X. ± 0.30
 .X ± 0.20
 .XX ± 0.10
 .XXX ± 0.05
 ANG ±

PJECTION

照片框

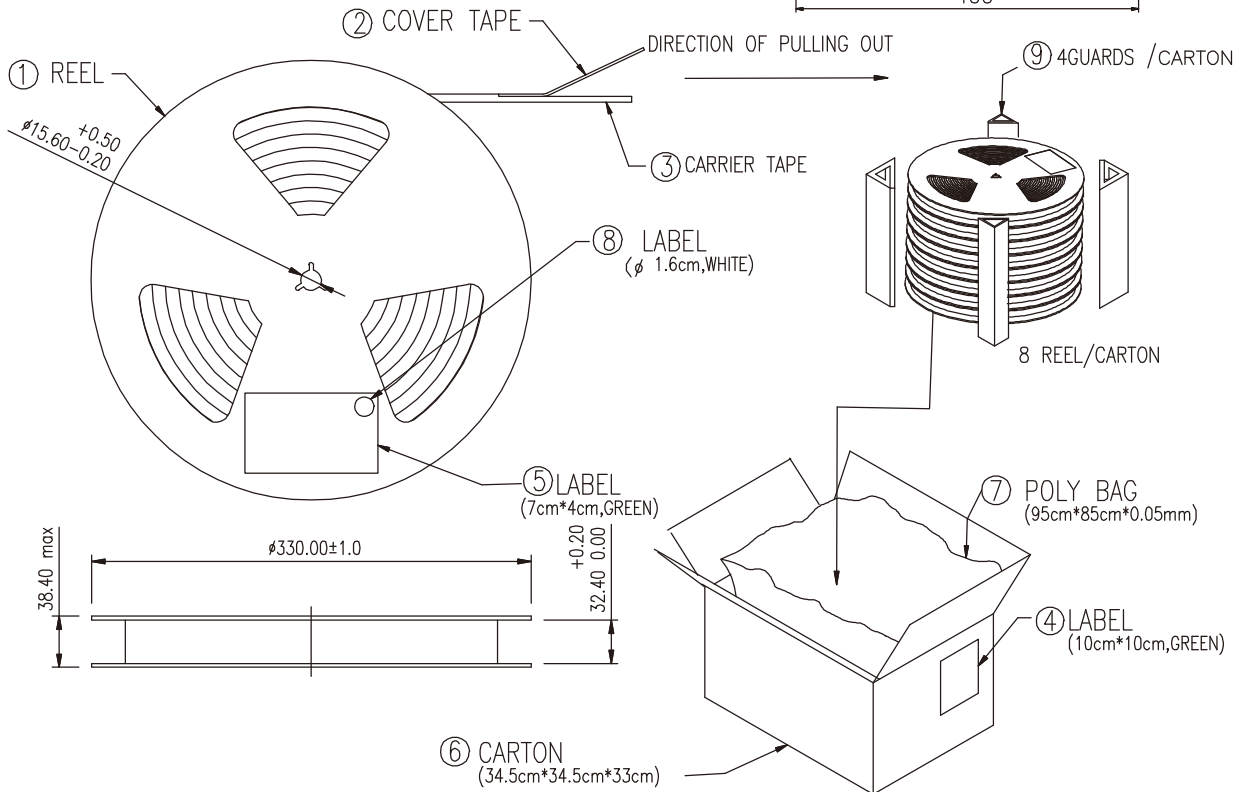
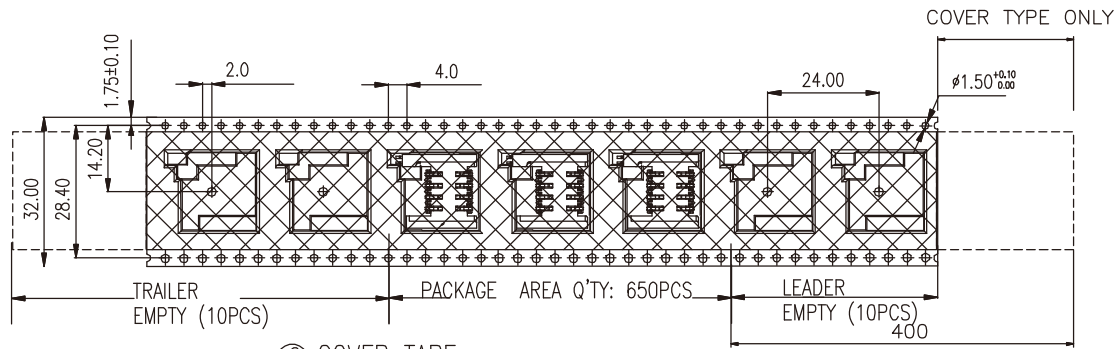
ORDER INFORMATION

SCU-W0826PR-08-LF
 SERIES | | | | LEADFREE
 | | | | 08 WAY
 | | | | REEL
 | | | | POST
 90°SMT | | | | BODY HIGH 2.6mm
 | | | | PAD TO PAD 8.12mm

DESCRIPTION: SIM CARD 8PIN CONN.

煜倫股份有限公司

www.morethanall.com



	MATERIAL	P/N	REMARKS
1	REEL	REEL-RA132	H=38.4 MAX
2	COVER	REEL-UC255	W=25.5 mm
3	CARRIER TAPE	REEL-158LAB3201	W=32mm
4	LABEL(for rosh)	CTP-00002	1 LABEL/CARTON
5	LABEL(for rosh)	CTB-00004	1 LABEL/REEL
6	CARTON	CTN-C100Y	CARTON/8REEL/5200pcs
7	POLY BAG	P-0001	1 BAG/CARTON
8	LABEL(for rohs)	CTB-00005	1 LABEL/REEL
9	GUARD	CTN-3025	4 GUARDS/CARTON

RoHS Compliant

TOLERANCES ARE

MORETHANALL
PCB CONNECTORS
Cable ASSEMBLIES

DRAWING BY CY

CHECKED BY GENIUS

UNIT / mm

SCALE 1 : 1

DATE

SIZE A4

X. ± 0.30

.X ± 0.20

.XX ± 0.10

.XXX ± 0.05

ANG ±

PPOJECTION

照片框

ORDER INFORMATION

SCU-W0826PR-08-LF
SERIES | | | | LEADFREE
| | | | 08 WAY
| | | | REEL
| | | | POST
90°SMT | | | | BODY HIGH 2.6mm
| | | | PAD TO PAD 8.12mm

DESCRIPTION: PACKING INFORMATION

煜倫股份有限公司

www.morethanall.com