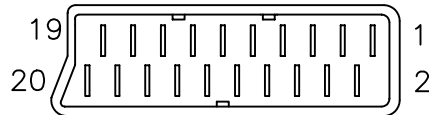


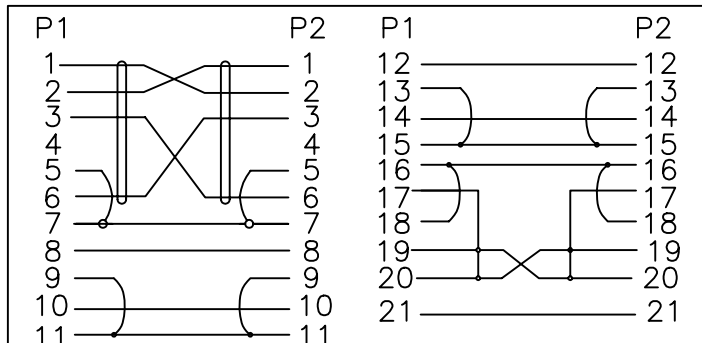
21 PINS SCART CONNECTOR

SCTX2-2121-Mxxx

1M5:1.5 METER
1M2:1.2 METER



PIN OUT:



7	Bag	1	See-through PE bag 150*220*0.06mm
6	Cable Tie	1	26#*120mm BLACK
5	Terminal	2	Saturn Terminal
4	PVC Tube	2	PVC tube OD 2.0 Black
3	Jacket	2	Scart Assembly Butterfly Black(9mm)
2	Plug	2	Scart Assembly Butterfly Plug Black
1	Cable	1	(20C+1)Cable OD7.0 Jacket PVC,Black(JA-001),CHipware OD=0.9mm Copper 0.12/7 TCu
NO.	P/NAME	Q'TY	DESCRIPTION

MORETHANALL
CONNECTORS
ASSEMBLIES

焯倫有限公司

PART NO. SCTX2-2121-Mxxx

DWG NO. SCTX2-2121-Mxxx

FILE NO.

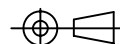
UNIT / mm

SCALE 1:1

CHECKED BY CY

DRAWING BY

PROJECTION



TOLERANCES ARE

.X ± 0.2
.XX ± 0.15
.XXX ±
AWG

DESCRIPTION:

SCART CABLE ASSEMBLY

AREA

REVISIONS

, HK

DATE