

**MATERIALS**

HOUSING: LCP (UL 94V-0), BLACK  
 SHELL: STAINLESS STEEL  
 PAD: STAINLESS STEEL, GOLD FLASH  
 TERMINAL: PHOSPHOR BRONZE, GOLD PLATED ON CONTACT AREA, TIN PLATING ON SOLDER TAIL

**SPECIFICATION**

CURRENT RATING: 0.5AMP MAX  
 DIELECTRIC WITHSTANDING: 500V AC FOR ONE MINUTE  
 CONTACT RESISTANCE: 100m OHMS MAX  
 INSULATION RESISTANCE: 1000M OHMS AT DC 500V  
 OPERATION TEMPERATURE: -25°C~+85°C  
 COPLANARITY OF SOLDER TAILS: 0.10mm MAX

**RoHS Compliant**

TOLERANCES ARE



**煜倫股份有限公司**

www.morethanall.com

DRAWING BY CY

CHECKED BY GENIUS

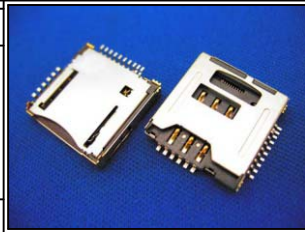
UNIT / mm SCALE 1 : 1

DATE

SIZE A4

X, ±  
 .X ± 0.30  
 .XX ± 0.20  
 .XXX ± 0.10  
 ANG ±

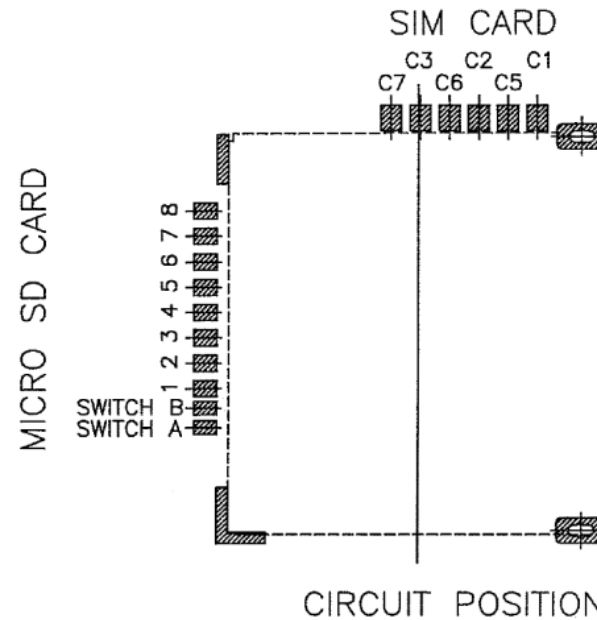
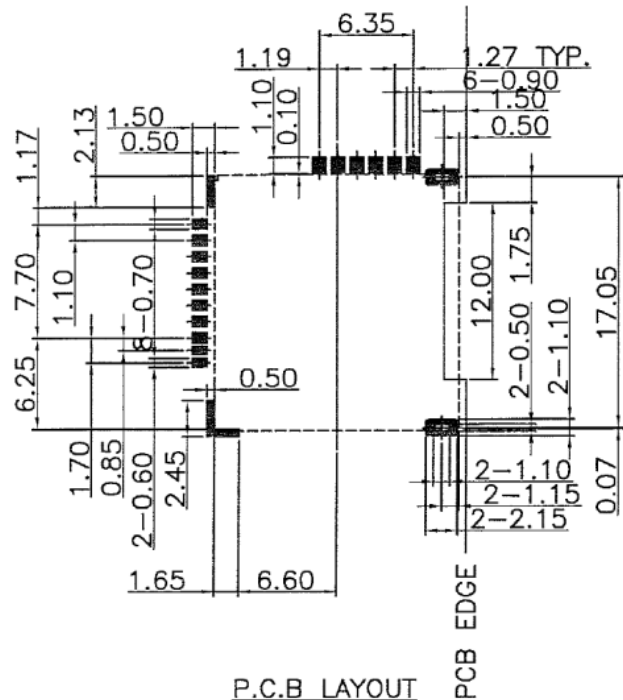
PJECTION



**ORDER INFORMATION**

SCTF-W17T-0608-LF  
 SERIES | LEADFREE  
 | 06 TO 08 WAY  
 | 17.05mm TAB  
 90°SMT

DESCRIPTION: TFLASH+SIM CARD



SIM CARD	
Pin No.	NAME
C1	VCC
C2	RST
C3	CLK
C4	Reserved
C5	GND
C6	VPP
C7	I/O
C8	Reserved

MICRO SD CARD			
Pin No.	NAME	TYPE	DESCRIPTION
1	DAT2	I/O/PP	Date Line[bit2]
2	CD/DAT3	I/O/PP	Card Detect Date Line[bit3]
3	CMD	PP	Command Response
4	VDD	S	Supply Voltage
5	CLK	I	Clock
6	VSS	S	Supply Voltage Ground
7	DAT0	I/O/PP	Date Line[bit0]
8	DAT1	I/O/PP	Date Line[bit1]

INFORMATION

1.SWITCH TYPE: CARD OUT—SWITCH OPEN  
CARD IN—SWITCH CONTACT

RoHS Compliant

TOLERANCES ARE

**MORETHANALL**  
PCB CONNECTORS  
Cable ASSEMBLIES

DRAWING BY CY

CHECKED BY GENIUS

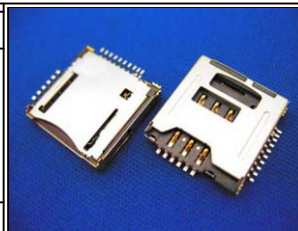
UNIT / mm SCALE 1 : 1

DATE

SIZE A4

X, ±  
.X ±  
.XX ±  
.XXX ±  
ANG ±

P PROJECTION



ORDER INFORMATION

SCTF-W17T-0608-LF

SERIES | LEADFREE  
06 TO 08 WAY  
17.05mm TAB  
90°SMT

煜倫股份有限公司

www.morethanall.com

DESCRIPTION: TFLASH+SIM CARD