

**Material:**

Housing: High Temperature Plastic UL94V-0.

Contacts: Copper Alloy.

Shell: Metal

**Electrical Characteristics:**

Current Rating: 1 AMP.

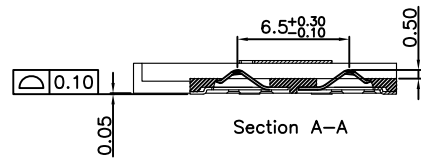
Dielectric Withstanding Voltage: AC 500V For 1 minute.

Insulator Resistance: 1000MΩ min. at DC 500V.

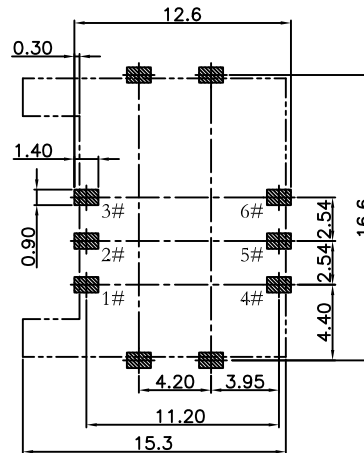
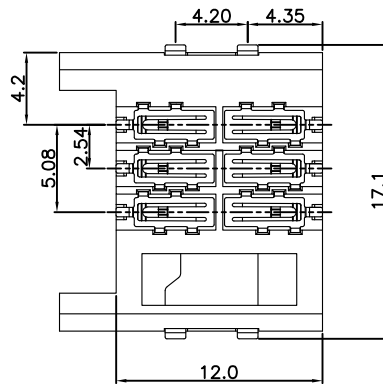
Contact Resistance: 100mΩ max. at DC 100mA.

Operating Temperature: -40°C ~+85°C .

**\*RoHS Compliant**



Section A-A



P.C. Board Layout

Pin out recommendation

1#=Vcc	4#=Gnd
2#=Reset	5#=Vpp
3#=Clock	6#=I o

Recommended only, end users to identify pin out to suit their own designs.

**RoHS Compliant**

TOLERANCES ARE

**MORETHANALL**  
PCB CONNECTORS  
Cable ASSEMBLIES

煜倫股份有限公司

www.morethanall.com

DRAWING BY CY

CHECKED BY GENIUS

UNIT / mm SCALE 1 : 1

DATE

SIZE A4

X ± 0.50

.X ± 0.25

.XX ± 0.15

.XXX ±

ANG ±

PPOJECTION

照片框

**ORDER INFORMATION**

SCT-W1120X-06-LF  
SERIES | LEADFREE  
| 06 WAY  
| NON POST  
90°SMT | HIGH 2.0mm  
PAD TO PAD 11.20

DESCRIPTION: Sim Card Connector SMD Type