

COMMENDED PCB LAYOUT  
TOL:(±0.05)

Notes:

Material: Phosphor Bronze(C5191-H)  
SIMM Card Connector,With

Physical:

Housing: Lcp UL 94V-0

Contact: Selective Gold Flash

FINISH : Gold plated on contact area & 100 μ'  
Min. Tin/lead or Sn only plated on soldering  
end over 50 μ' Min. Nickel

Specifications:

Voltage Current rating: 1A. 50V AC

Insulation Resistance: 1000Mohm Min

Contact Withstanding Voltage:

AC 500V For 1 Minute

Temperture Rating: -40° To +85°

Durability: 10000 Cycles Min

IR Re-Flow:260°C 15Sec Max

RoHS Compliant

TOLERANCES ARE

**MORETHANALL**  
PCB CONNECTORS  
Cable ASSEMBLIES

煜倫股份有限公司

www.morethanall.com

DRAWING BY CY

CHECKED BY GENIUS

UNIT / mm

SCALE 1 : 1

DATE

SIZE A4

PPOJECTION

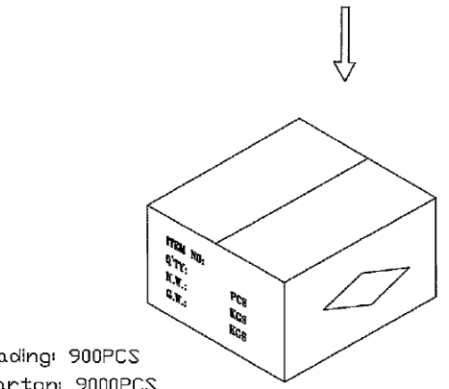
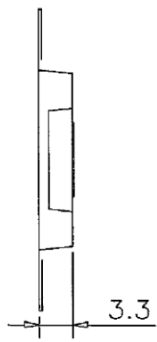
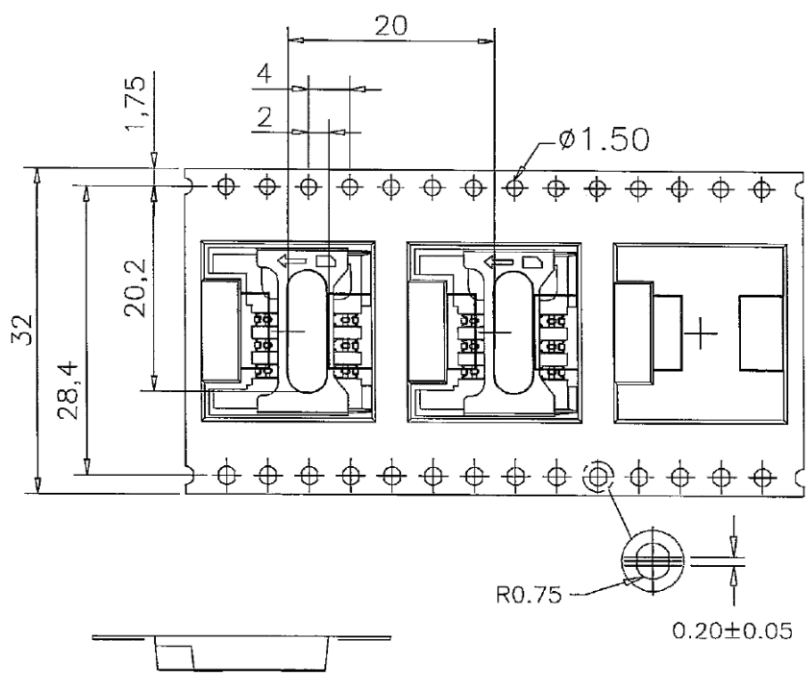
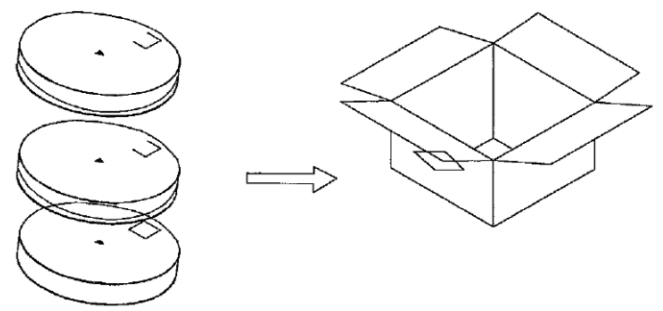
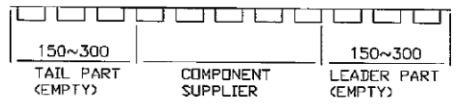
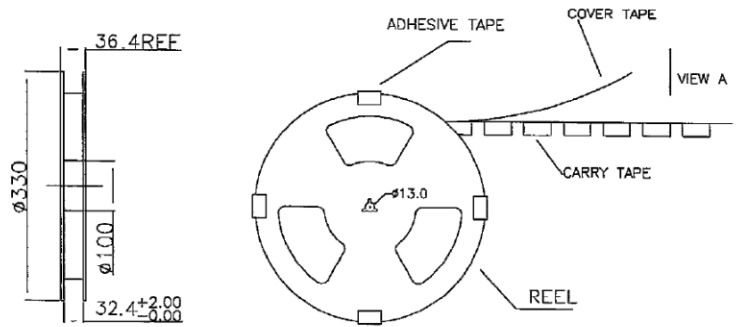
X, ±  
.X ± 0.25  
.XX ± 0.15  
.XXX ± 0.10  
ANG ±

照片框

ORDER INFORMATION

SCT-W1028XR-06-LF  
SERIES | | | | LEADFREE  
| | | | 06WAY  
| | | | REEL  
90°SMT | | | | NON POST  
| | | | HIGH 2.8mm  
| | | | PAD TO PAD 10.1mm

DESCRIPTION:



NOTE :  
 1. Each volume loading: 900PCS  
 2. 10 rolls per carton: 9000PCS

RoHS Compliant

TOLERANCES ARE

**MORETHANALL**  
 PCB CONNECTORS  
 Cable ASSEMBLIES

DRAWING BY CY

CHECKED BY GENIUS

UNIT / mm SCALE 1 : 1

DATE

SIZE A4

X, ±  
 X ± 0.25  
 .XX ± 0.15  
 .XXX ± 0.10  
 ANG ±

PPOJECTION

照片框

ORDER INFORMATION

SCT-W1028XR-06-LF  
 SERIES | | | | | LEADFREE  
 | | | | | 06WAY  
 | | | | | REEL  
 90°SMT | | | | | NON POST  
 | | | | | HIGH 2.8mm  
 | | | | | PAD TO PAD 10.1mm

煜倫股份有限公司

www.morethanall.com

DESCRIPTION: