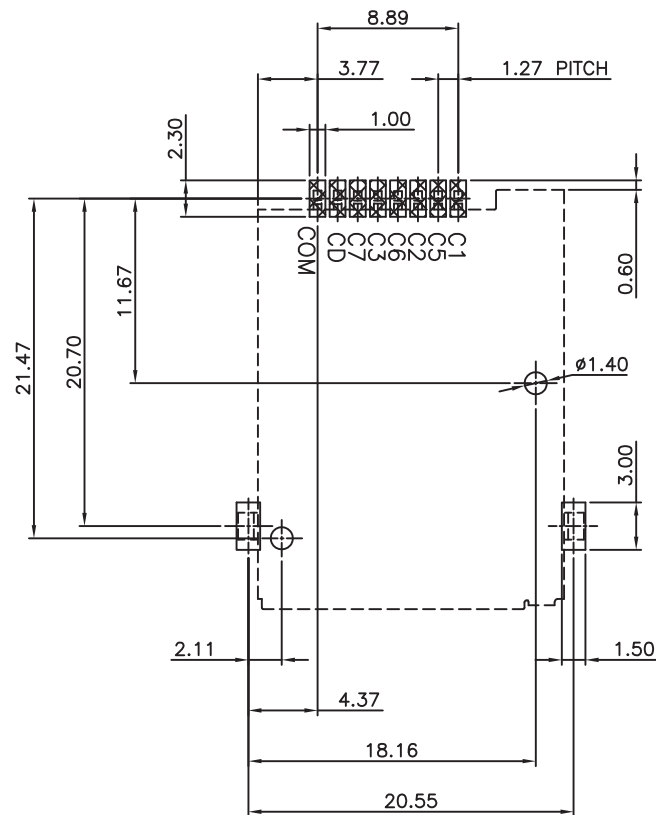


APPLICABLE CARD SIZE



RECOMMENDED PCB LAYOUT

RoHS Compliant

TOLERANCES ARE

MORETHANALL
PCB CONNECTORS
Cable ASSEMBLIES

煜倫股份有限公司

www.morethanall.com

DRAWING BY CY

CHECKED BY GENIUS

UNIT / mm

SCALE 1 : 1

DATE

SIZE A4

X. ± 0.30

.X ± 0.20

.XX ± 0.10

.XXX ± 0.05

ANG ±

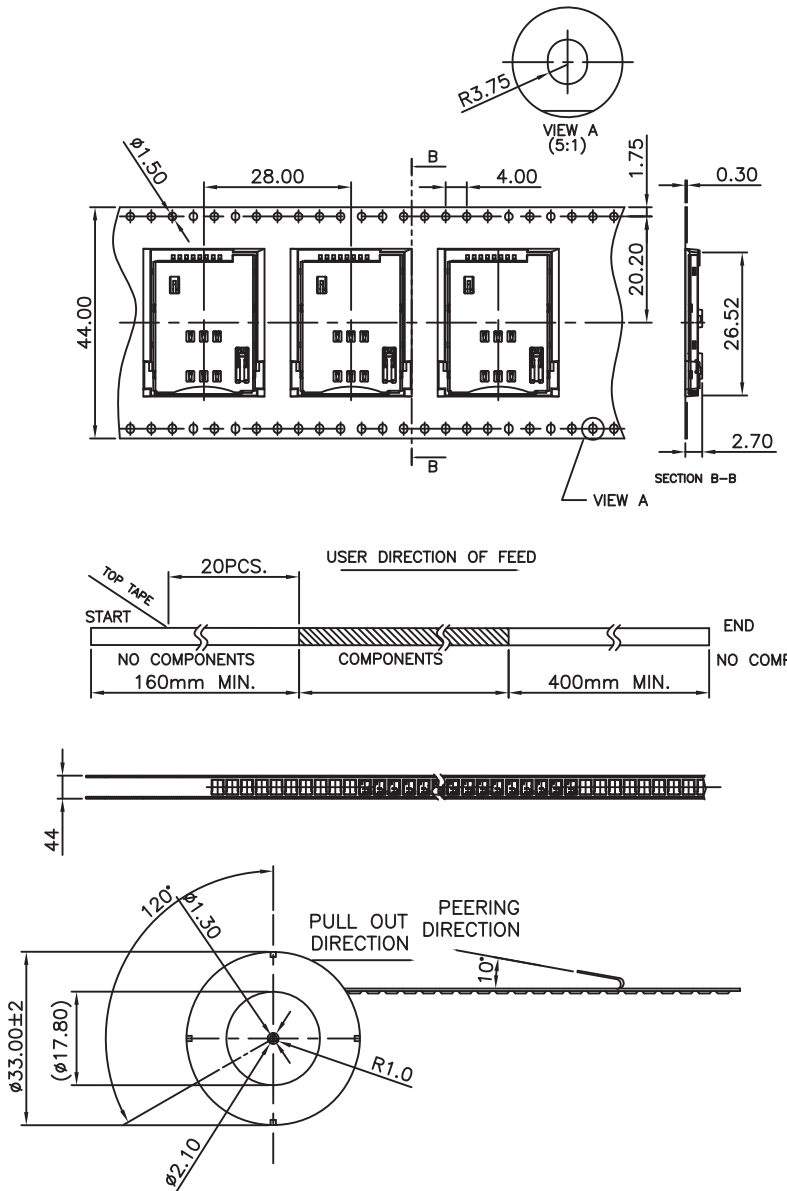
P PROJECTION

照片框

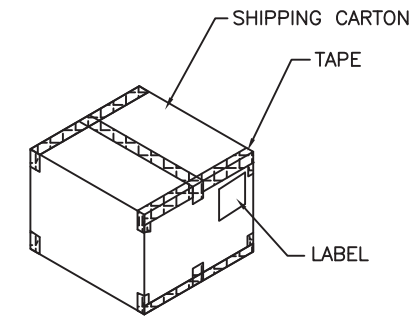
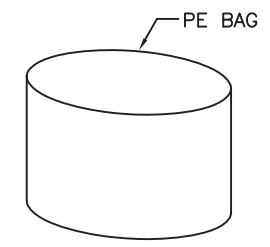
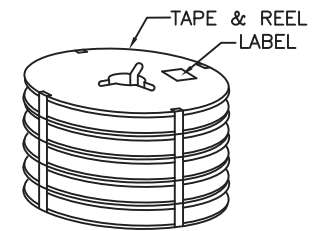
ORDER INFORMATION

SCP-W16PBR-06-LF
SERIES
LEADFREE
06WAY
REEL
SWITCH OPEN
POST
POST TO POST 16.0mm

DESCRIPTION: SIM CARD CONNECTOR, 6+2 PDS,



- STANDARD PACKAGE:
1. 500 PCS / REEL
 2. 5 REELS / SHIPPING CARTON
 3. NET WEIGHT: 4 KG
GROSS WEIGHT: 8.2 KG



350mm x 350mm x 270mm

RoHS Compliant

TOLERANCES ARE

MORETHANALL
PCB CONNECTORS
Cable ASSEMBLIES
煜倫股份有限公司
www.morethanall.com

DRAWING BY CY
CHECKED BY GENIUS
UNIT / mm SCALE 1 : 1
DATE
SIZE A4 PPROJECTION

X. ± 0.30
.X ± 0.20
.XX ± 0.10
.XXX ± 0.05
ANG ±



ORDER INFORMATION

SCP-W16PBR-06-LF
SERIES | | | | LEADFREE
| | | | 06WAY
| | | | REEL
| | | | SWITCH OPEN
90°SMT | | | | POST
| | | | POST TO POST 16.0mm

DESCRIPTION: SIM CARD CONNECTOR, 6+2 PDS,