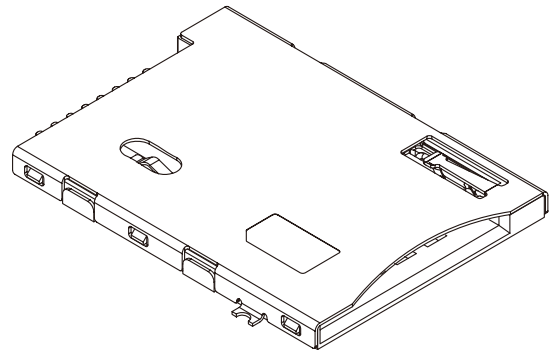
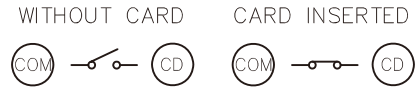


Material and Finish:

1. Insulator Material: L.C.P+30% Glass Filled, UL94V-0 Color:Black
2. CMA Housing Material: Nylon-9T+30% Glass Filled, UL94V-0 Color:Black
3. Contact Material: Phosphor Bronze, C5191-EH, T=0.15
4. Terminal Material: Phosphor Bronze, C5191-EH, T=0.15
5. Contact Area Plated: 3u" Gold Plated Over 50u" Nickel
6. Solder Area Plated: 100u" Tin Plated Over 50u" Nickel
7. Wire Spring: SUS304-WPB, Nickel Plated
8. Shell Material: Stainless Steel SUS 301, T=0.2
9. Shell Solder Area plated: 2u" Selective Gold Plated For One Side
10. CAM Pin: SUS304-WPB, Nickel Plated
11. Current Rating: 0.5A AC/DC Max.
12. Contact Resistance: 100m ohms Max.
13. Insulation Resistance: 500m ohms Min.
14. Dielectric withstanding Voltage: 250V AC/DC
15. Insertion Cycles: 5,000 Cycles Min
16. Operation Teperature: -55° to +85°
17. Packing: Tape & Reel
18. RO = RoHS



PART LIST:

ITEM	DESCRIPTION	QYP(PC'S)
1	HOUSING	1
2	SLIDER	1
3	MAIN CONTACT	1
4	COM CONTACT	1
5	CD CONTACT	1
6	METAL COVER	1
7	CRANK	1
8	SPPING	1

RoHS Compliant

TOLERANCES ARE

MORETHANALL
PCB CONNECTORS
Cable ASSEMBLIES
煜倫股份有限公司
www.morethanall.com

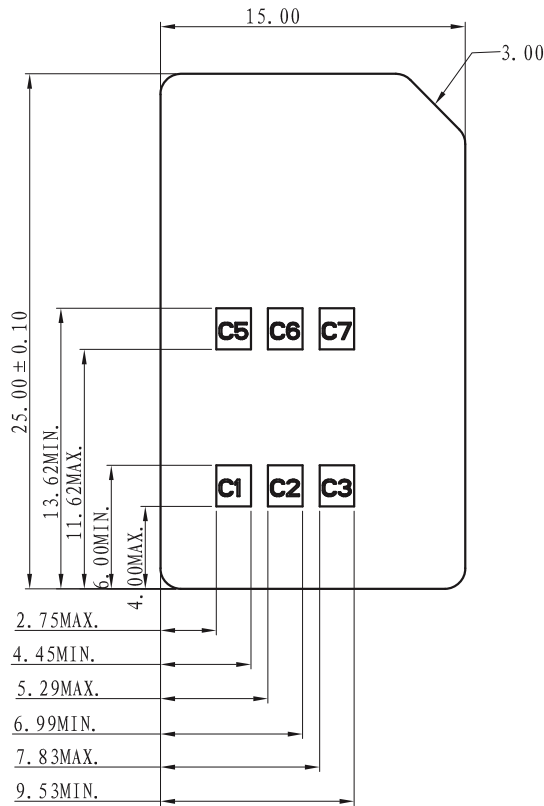
DRAWING BY CY		X, ± .X ± 0.20 .XX ± 0.08 .XXX ± 0.05 ANG ± 1°
CHECKED BY GENIUS		
UNIT / mm	SCALE 1 : 1	
DATE		
SIZE A4	PJECTION	



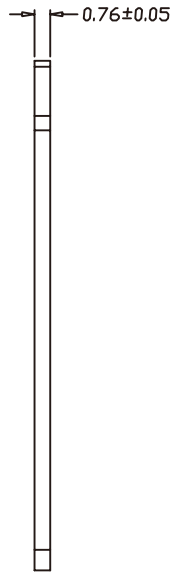
ORDER INFORMATION

SCP-W15PBA07-06-LF
SERIES | | | | LEADFREE
| | | | 06WAY
| | | | EAR/POST 0.75mm
| | | | B TYPE
90°SMT | | | | PUSH PUSH
| | | | POST TO POST 15.54mm

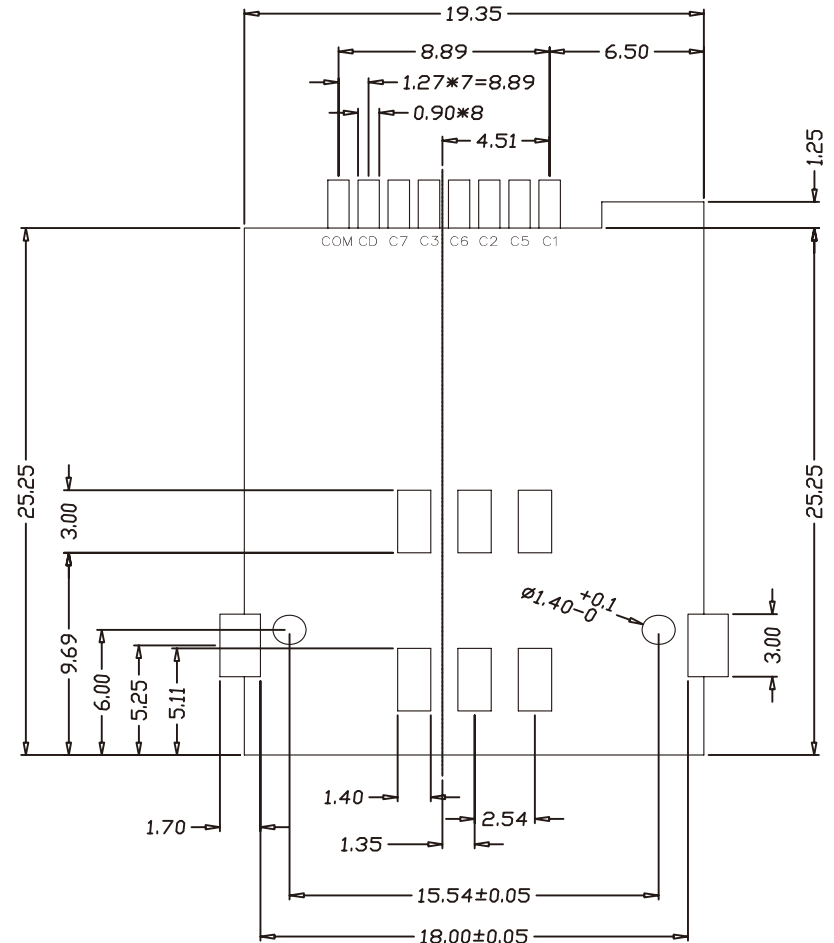
DESCRIPTION:



APPLICABLE CARD SIZE
THICKNESS: 0.76+/-0.08



- C1 Supply voltage(VCC)
- C2 Reset(RST)
- C3 Clock(CLK)
- C4 Not used
- C5 Ground(FND)
- C6 Vpp
- C7 Inpu/output(I/O)
- C8 Not used



RECOMMENDED P.C.B LAYOUT



RoHS Compliant

TOLERANCES ARE

MORETHANALL
PCB CONNECTORS
Cable ASSEMBLIES

DRAWING BY CY

CHECKED BY GENIUS

UNIT / mm

SCALE 1 : 1

DATE

SIZE A4

PJECTION

X, ±
.X ± 0.20
.XX ± 0.08
.XXX ± 0.05
ANG ± 1°

照片框

ORDER INFORMATION

SCP-W15PBA07-06-LF
SERIES | | | | | LEADFREE
90°SMT | | | | | 06WAY
| | | | | EAR/POST 0.75mm
| | | | | B TYPE
| | | | | PUSH PUSH
| | | | | POST TO POST 15.54mm

DESCRIPTION:

煜倫股份有限公司

www.morethanall.com