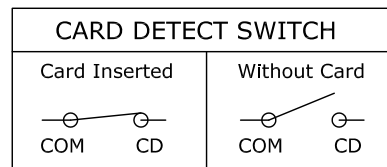


RECOMMENDED LAYOUT (TOP VIEW) TRACE PROHIBITION AREA
GENERAL TOLERANCE: $\pm 0.05\text{mm}$



SPECIFICATION:

1. ELECTRICAL
 - 1.1 Current Rating: 0.5A per pin
 - 1.2 Voltage Rating: 30V AC/DC
 - 1.3 Contact Resistance: 100m Ω
 - 1.4 Insulation Resistance: 1000M Ω
 - 1.5 Dielectric Withstanding Voltage: 500VAC

2. MECHANICAL
 - 2.1 Durability: 10,000 Cycle
 - 2.2 Insertion Force: 7N max.

3. ENVIRONMENTAL
 - 3.1 Operating temperature range: $-40^{\circ}\text{C}\sim+85^{\circ}\text{C}$
 - 3.2 Storage temperature range: $-40^{\circ}\text{C}\sim+85^{\circ}\text{C}$

4. SOLDER ABILITY
 - 4.1 Recommended IR-Reflow Temperature: 260 $^{\circ}\text{C}$

2		PIN DEFINITION						
NAME	C1	C2	C3	C4	C5	C6	C7	C8
TYPE	Vcc	RST	CLK	N/A	GND	Vpp	I/O	N/A

NO.	PART NAME	DESCRIPTION
6	SPRING	SWP
5	CRANK	SUS304
4	SLIDER	LCP, UL94V-0, Black
3	SHELL	SUS304, Gold plating on solder tails, under plating: 50u" min. Nickel
2	CONTACT	Phosphor Bronze, Gold plating on contact area, 120u" min. Tin plating on solder tails, under plating 50u" min. Nickel
1	HOUSING	LCP, UL94V-0, Black

RoHS Compliant

TOLERANCES ARE

MORETHANALL
PCB CONNECTORS
Cable ASSEMBLIES

DRAWING BY CY

X. ± 0.50

CHECKED BY GENIUS

.X ± 0.25

UNIT / mm

SCALE 1 : 1

.XX ± 0.12

DATE

.XXX \pm

ANG \pm

SIZE A4

PJECTION

照片框

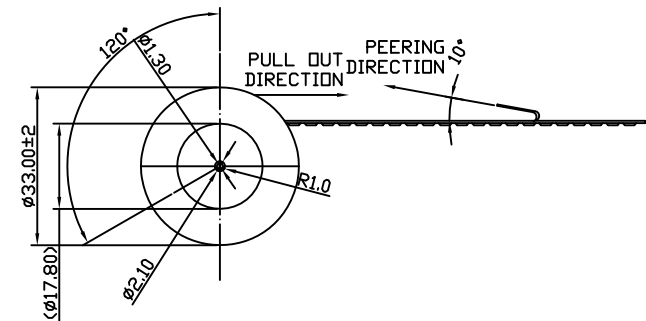
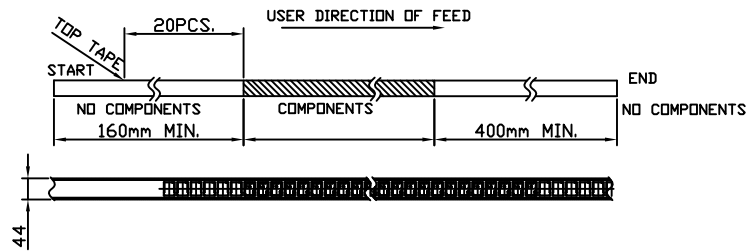
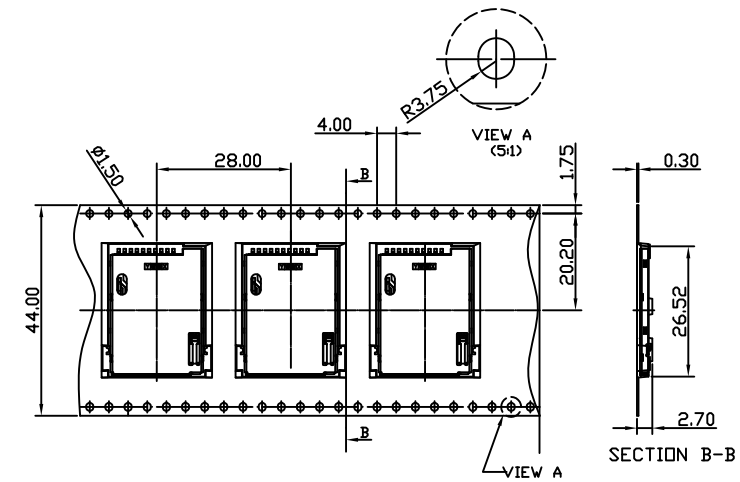
ORDER INFORMATION

SCP-W14PBA08R-08-LF
SERIES | | | | | LEADFREE
| | | | | 08WAY
| | | | | REEL
| | | | | EAR/POST 0.75mm
90°SMT | | | | SWITCH OPEN
POST TO POST 14.0mm POST

DESCRIPTION: SIM Card Socket 8+2Pin Push-Push Type

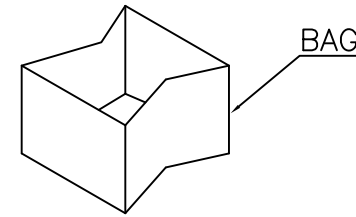
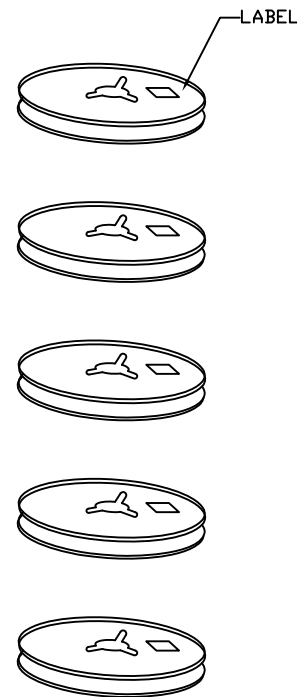
煜倫股份有限公司

www.morethanall.com

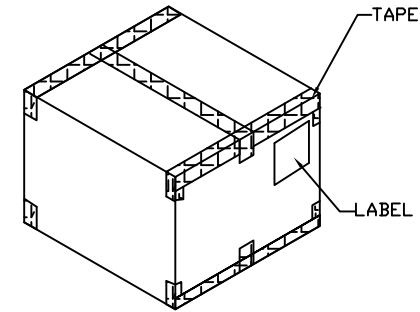


NOTE:

1. 115A SERIES STANDARD PACKING: 500 PCS/REEL
2. 5 REEL/SHIPPING CARTON



SHIPPING
CARTON



350mm x 350mm x 240mm

RoHS Compliant

TOLERANCES ARE

MORETHANALL
PCB CONNECTORS
Cable ASSEMBLIES

煜倫股份有限公司

www.morethanall.com

DRAWING BY CY

CHECKED BY GENIUS

UNIT / mm SCALE 1 : 1

DATE

SIZE A4

X. ± 0.50

.X ± 0.25

.XX ± 0.12

.XXX \pm

ANG \pm

PJECTION

照片框

ORDER INFORMATION

SCP-W14PBA08R-08-LF
SERIES | | | | | LEADFREE
| | | | | 08WAY
| | | | | REEL
| | | | | EAR/POST 0.75mm
90°SMT | | | | SWITCH OPEN
POST TO POST 14.0mm POST

DESCRIPTION: SIM Card Socket 8+2Pin Push-Push Type