

**MATERIALS:**  
 HOUSING: HI-TEMP. PLASTIC (UL 94V-0), BLACK  
 TERMINAL: COPPER ALLOY, CONTACT AREA GOLD PLATED  
 SOLDER AREA MATTE TIN PLATED  
 NICKEL UNDER PLATED OVER ALL  
 SHELL: SUS NICKEL UNDER PLATED OVER ALL  
 SOLDER AREA GOLD PLATED

**SPECIFICATION:**  
 CURRENT RATING: 0.5 AMP MAX  
 DIELECTRIC WITHSTANDING: 500V AC FOR ONE MINUTE  
 CONTACT RESISTANCE: 30m OHMS MAX  
 INSULATION RESISTANCE: 1000M OHMS MIN AT DC 500V  
 OPERATION TEMPERATURE: -40°C~+85°C

RoHS Compliant

TOLERANCES ARE

**MORETHANALL**  
 PCB CONNECTORS  
 Cable ASSEMBLIES

煜倫股份有限公司

www.morethanall.com

DRAWING BY CY

CHECKED BY GENIUS

UNIT / mm SCALE 1 : 1

DATE

SIZE A4

X. ± 0.40

.X ± 0.30

.XX ± 0.20

.XXX ± 0.10

ANG ±

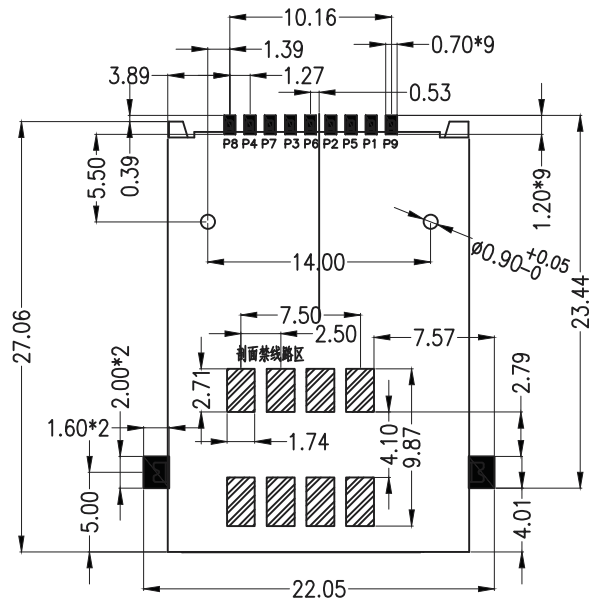
PJECTION

照片框

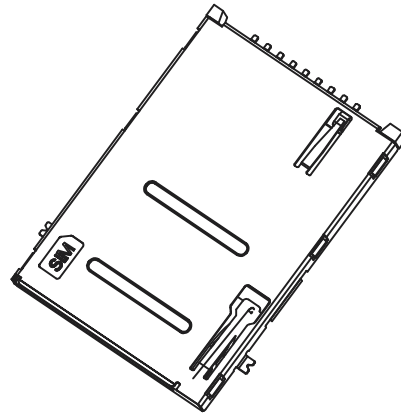
ORDER INFORMATION

SCP-W14PAAA5-08-LF  
 SERIES | | | | LEADFREE  
 | | | | 08WAY  
 | | | | EAR/POST 15mm  
 | | | | SWITCH CLOSED  
 90°SMT | | | | POST  
 | | | | POST TO POST 14.0mm

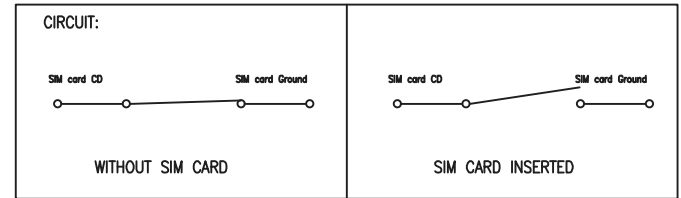
DESCRIPTION: SIM CARD, 8PIN, PCB MOUNT, SMT, METAL SHIELD, FEMALE, (PUSH-PUSH TYPE) H=1.85 WITH POST



RECOMMEENDER PCB LAYOUT  
TOLERANCE UNLESS OTHERWISE IS  $\pm 0.05$



Connector terminal NO.	Pin NO.
Pin 1	VCC:PWR signal and GND
Pin 2	RST:Reset signal
Pin 3	CLK:Clocking signal
Pin 4	Reserved
Pin 5	GND:PWR signal and GND
Pin 6	VPP:Porgramming Voltage
Pin 7	I/O:Serial date input/output
Pin 8	Reserved
Pin 9	CD:CARD Detect Switch
Pin 10	GND



RoHS Compliant

TOLERANCES ARE

**MORETHANALL**  
PCB CONNECTORS  
Cable ASSEMBLIES

DRAWING BY CY

X.  $\pm 0.40$

CHECKED BY GENIUS

.X  $\pm 0.30$

UNIT / mm

SCALE 1 : 1

.XX  $\pm 0.20$

DATE

.XXX  $\pm 0.10$

ANG  $\pm$

照片框

ORDER INFORMATION

SCP-W14PAAA5-08-LF  
SERIES | | | | | LEADFREE  
| | | | | 08WAY  
| | | | | EAR/POST 15mm  
| | | | | SWITCH CLOSED  
90°SMT | | | | | POST  
| | | | | POST TO POST 14.0mm

煜倫股份有限公司

www.morethanall.com

SIZE A4

PJECTION

DESCRIPTION: SIM CARD, 8PIN, PCB MOUNT, SMT, METAL SHIELD, FEMALE, (PUSH-PUSH TYPE) H=1.85 WITH POST