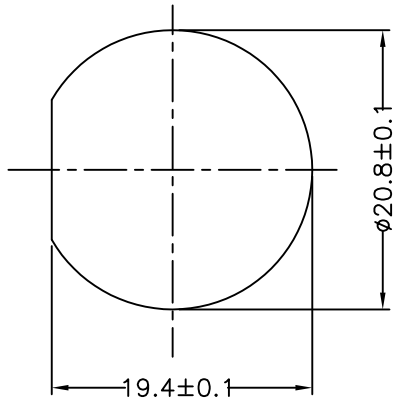


1	Red	紅	1
2	White	白	2
3	Green	綠	3
4	Black	黑	4
5	Yellow	黃	鐵殼
Conn 2	Wire Color		Conn 1
PIN OUT			

NOTE:
 * Important Dimension To Check.
 (* 為重點檢驗尺寸)

11	Shrink Tube	Black	ø2.0*8mm	5
10	Wire Harness	Black	UL1061 24AWG 黑色 L=65±2	1
9	Wire Harness	Red	UL1061 24AWG 紅色 L=65±2	1
8	Wire Harness	White	UL1061 24AWG 白色 L=65±2	1
7	Wire Harness	Green	UL1061 24AWG 綠色 L=65±2	1
6	Wire Harness	Yellow	UL1061 24AWG 黃色 L=65±2	1
5	Gasket	Black	EPDM	1
4	Nut	Black	Nylon+30%Glass-Filled	1
3	Terminal	Black	SCN-T	5
2	Housing		SCN-H-05	1
1	Connector		USB-A FEMALE SOLDER(Molding Type)	1
NO	NAME	COLOR	SPECIFICATION	QTY



RECOMMENDED PANEL CUT-OUT

SCNUB-054A-E5C-LF
 LEADFREE

RoHS Compliant

MORETHANALL
 CONNECTORS
 ASSEMBLIES

煜倫股份有限公司

PART NO. SCNUB-054A-E5C

DWG NO. SCNUB-054A-E5C

FILE NO.

UNIT / mm

SCALE 1:1

CHECKED BY CY

DRAWING BY

PROJECTION

TOLERANCES ARE

.X ± 0.2
.XX ± 0.1

.XXX ±
AWG

DESCRIPTION:

USB FEMALE CONNECTOR PANEL
 MOUNT HOUSING (CIRCLE)

AREA

REVISIONS

HK

DATE