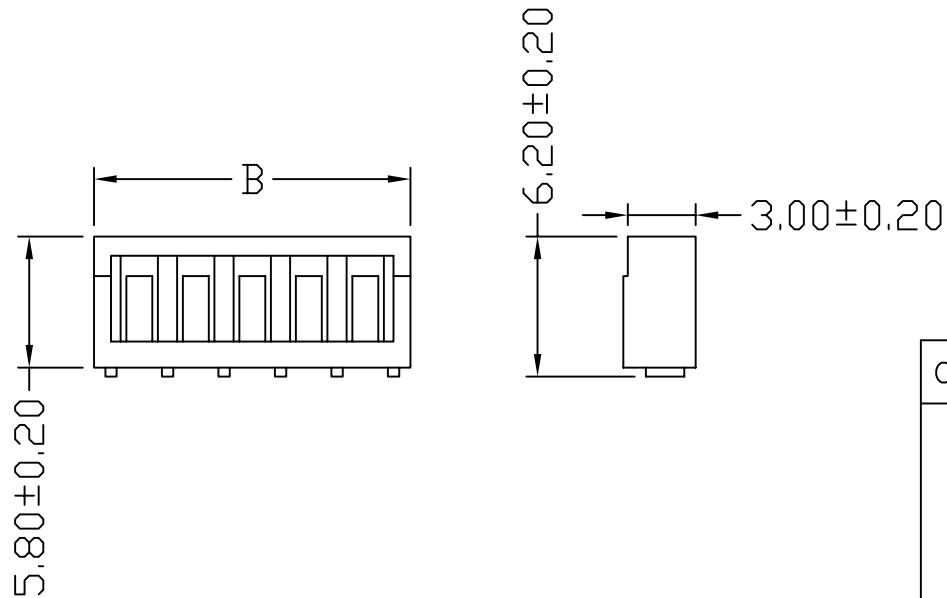


*Material : Nylon 4-6 UL 94v-0
 *Current rating : 2A, AC/DC
 *Voltage rating : 125V, AC/DC
 *Standard color : Tan
 *2-15 circuits available
 *TEMPERATURE RANGE: -40°C TO +150°C.



Circuit	Dimension		Circuit	Dimension	
	A	B		A	B
02	2.50	6.50	09	20.00	24.00
03	5.00	9.00	10	22.50	26.50
04	7.50	11.50	11	25.00	29.00
05	10.00	14.00	12	27.50	31.50
06	12.50	16.50	13	30.00	34.00
07	15.00	19.00	14	32.50	36.50
08	17.50	21.50	15	35.00	39.00

RoHS Compliant

TOLERANCES ARE

MORETHANALL
 PCB CONNECTORS
 Cable ASSEMBLIES

煜倫股份有限公司

www.morethanall.com

DRAWING BY CY

CHECKED BY GENIUS

UNIT / mm

SCALE 1:1

DATE

SIZE A4

X, ±
 .X ±
 .XX ±
 .XXX ±
 ANG ±

PJECTION

照片框

ORDER INFORMATION

SCN-HN46-xx-LF
 SERIES | LEADFREE
 | 02~15WAY
 | NYLON 46
 HOUSING

DESCRIPTION: SCN series Crimp Terminal Housings