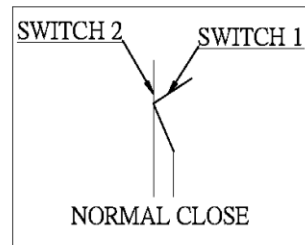
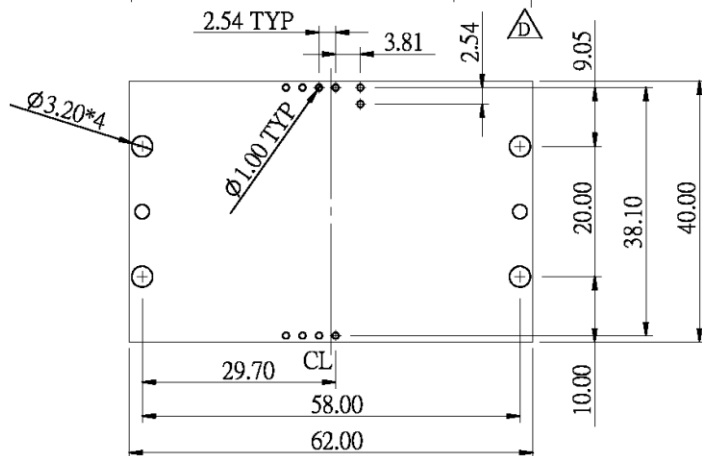
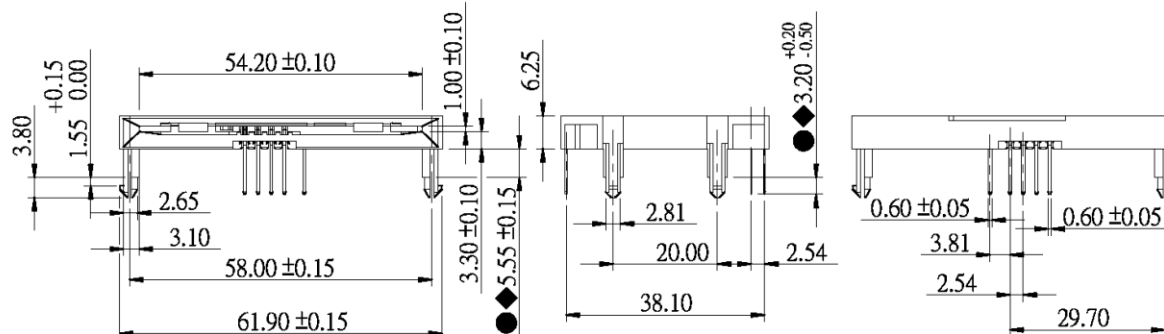


NOTE:

1. HOUSE MATERIAL: PBT+30%G.F 94L V-0 COLOR: BLACK.
2. TERMINAL MATERIAL: COPPER ALLOY, THICKNESS = 0.30±0.02.  
FINISH: GOLD PLATE ON CONTACT AREA, TIN PLATE ON SOLDER TAIL, NICKEL ON ALL SURFACE
3. GROUND SPRING PIN: COPPER ALLOY, THICKNESS = 0.25±0.02.  
FINISH: TIN OR GOLD PLATE ON ALL SURFACE, NICKEL ON ALL SURFACE
4. GROUND PIN: COPPER ALLOY, THICKNESS = 0.25±0.02mm.  
FINISH: TIN OR GOLD PLATE ON ALL SURFACE, NICKEL ON ALL SURFACE
5. OPERATING TEMPERATURE: - 40°C ~ +80°C .
6. CURRENT RATING: 1 Amp MAX.
7. ●: MANUFACTURER INSPECTION.
8. ◆: Q.C INSPECTION.



RECOMENDED PCB LAYOUT  
TOLERANCE:±0.05(TOP VIEW)  
PCB THICKNESS:1.60mm±0.05

RoHS Compliant

TOLERANCES ARE

**MORETHANALL**  
PCB CONNECTORS  
Cable ASSEMBLIES

DRAWING BY CY

X. ± 0.30

CHECKED BY GENIUS

.X ± 0.30

UNIT / mm

SCALE 1 : 1

.XX ± 0.20

DATE

.XXX ± 0.10

ANG ± 1°

SIZE A4

P PROJECTION

照片框

ORDER INFORMATION

SCFA-R88ACH-08-LF

SERIES | | | LEADFREE  
| | | 08 WAY  
| | | CENTER HIGH  
| | | CLOSED/SWITCH  
| | | HIGH 8.85mm  
| | | DIP 90°

煜倫股份有限公司

www.morethanall.com

DESCRIPTION: