

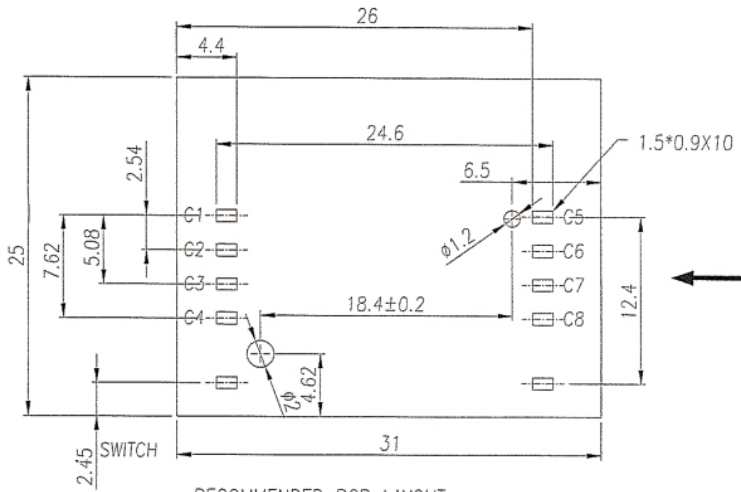
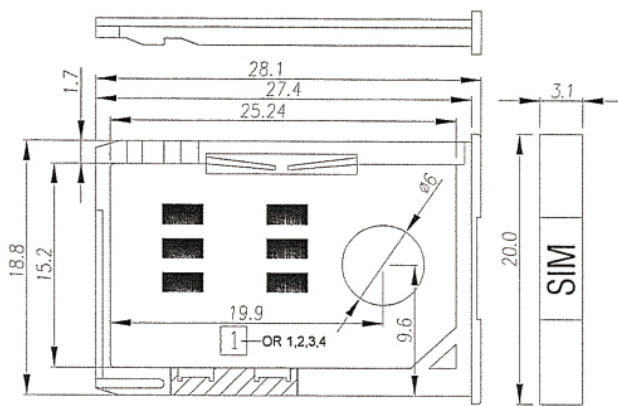
C1	VCC	C5	GND
C2	RST	C6	VPP
C3	CLK	C7	I/O
C4	NC	C8	NC

Specification:

- \* Withstanding Voltage: 500V DC /1M.
- \* Insulation Resistance: 1000M Ohm
- \* Voltage Rating: 5V AC
- \* Current Rating: 0.5A/Product Max.
- \* Contact Resistance: 60m Ohm Max.
- \* Operating Temperature: -25°C ~ +85°C
- \* Insertion Cycles: 10000 Times Min
- \* Press Force: 0.2N~0.6N

Material and Finish:

- \* Housing: LCP+30%G.F. UL 94V-0, Black
- \* Contact: Copper Alloy
- \* Contact Area: Gold Plating All Over Ni



RECOMMENDED PCB LAYOUT

RoHS Compliant

TOLERANCES ARE

- X, ±
- .X ±
- .XX ±
- .XXX ±
- ANG ±

DRAWING BY CY

CHECKED BY GENIUS

UNIT / mm SCALE 1 : 1

DATE

SIZE A4

PJECTION

照片框

ORDER INFORMATION

SCE-W2231P-xx-LF  
 SERIES | LEADFREE  
 | 06.08 WAY  
 | POST  
 | LONG 31.0mm  
 | PAD TO PAD 22.30mm  
 | 90°SMT

DESCRIPTION:

**MORETHANALL**  
 PCB CONNECTORS  
 Cable ASSEMBLIES

煜倫股份有限公司

www.morethanall.com