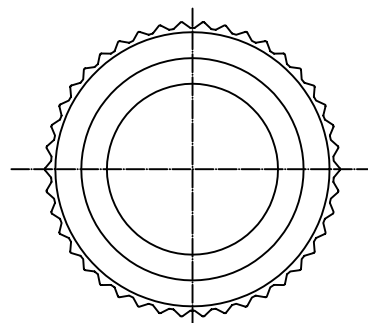
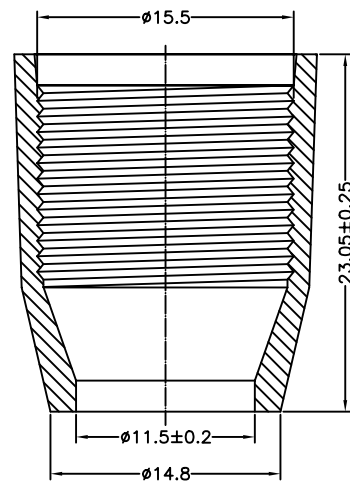
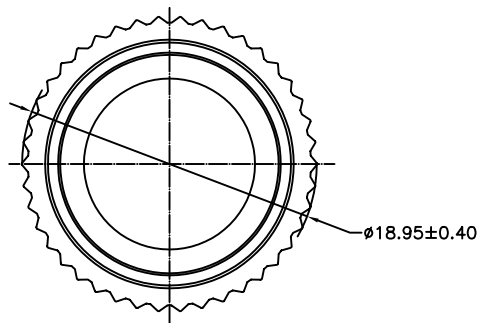


NOTES:

1. MATERIAL: P.P.



**MORETHANALL**  
CONNECTORS  
ASSEMBLIES

PART NO. SC21-N115

DWG NO. SC21-N115

CHECKED BY CY

TOLERANCES ARE

DESCRIPTION: 11.5#螺帽黑

FILE NO.

DRAWING BY

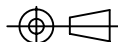
.X ± 0.5  
.XX ± 0.2  
.XXX ±  
AWG

煜倫有限公司

UNIT / mm

SCALE 1:1

PROJECTION



AREA

REVISIONS

HK

DATE