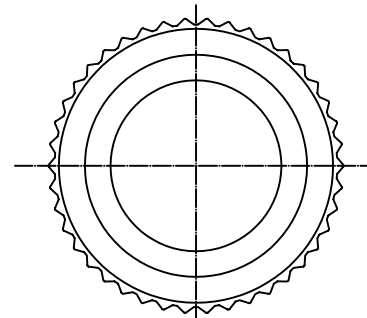
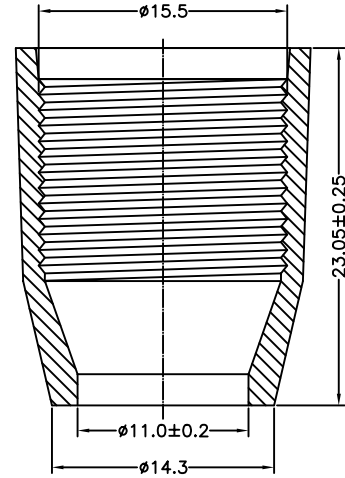
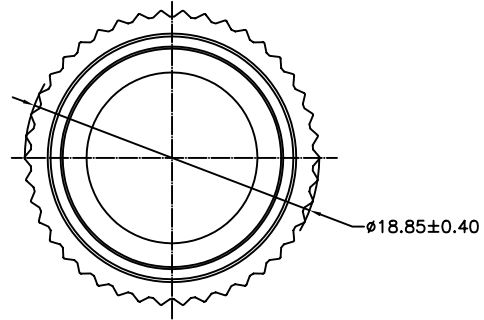


NOTES:
1. MATERIAL: P.P.



MORETHANALL
CONNECTORS
ASSEMBLIES

煜倫有限公司

PART NO. SC21-N11

DWG NO. SC21-N11

FILE NO.

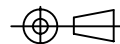
UNIT / mm

SCALE 1:1

CHECKED BY CY

DRAWING BY

PROJECTION



TOLERANCES ARE

.X ± 0.5
.XX ± 0.2
.XXX ±
AWG

DESCRIPTION: 11#螺帽黑

AREA

REVISIONS

HK

DATE