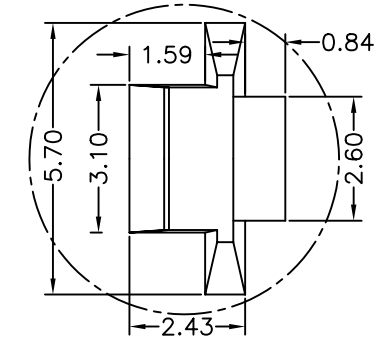
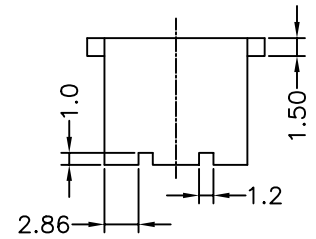
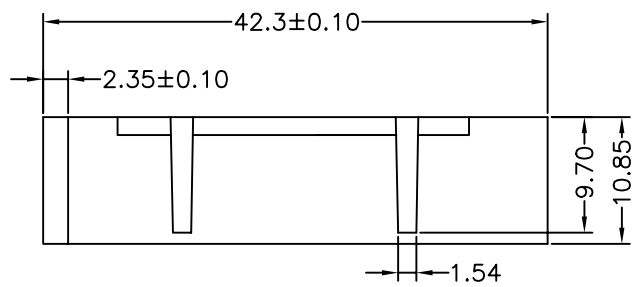
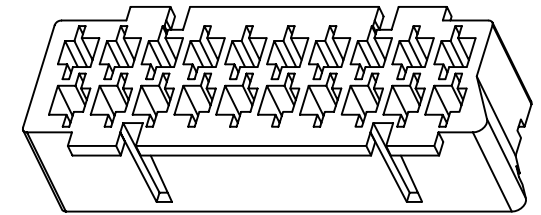
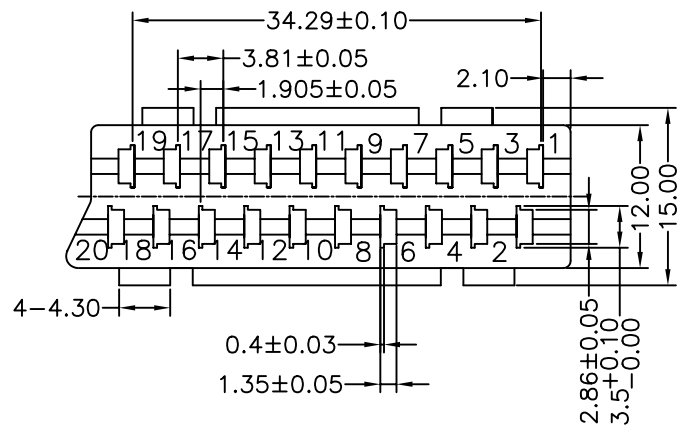


SEC A-A



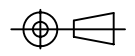
DETAIL B

SCALE 4:1



MORETHANALL
CONNECTORS
ASSEMBLIES

煜倫有限公司

PART NO. SC21-H		CHECKED BY CY		TOLERANCES ARE .X ± 0.15 .XX ± 0.10 .XXX ± AWG		DESCRIP TION: 中心柱膠芯黑			
DWG NO. SC21-H		DRAWING BY				AREA	REVISIONS	HK	DATE
FILE NO.		PROJECTION 							
UNIT / mm	SCALE 1:1								