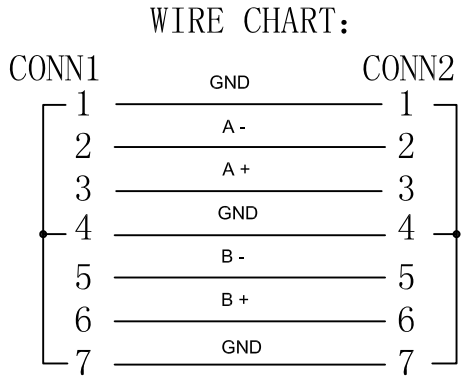


ELECTRONIC TEST CONDITION:
 100% OPEN SHORT MISWIRE TEST
 CONDUCTIVE RESISTANCE:5 OHM/MAX
 INSULATION RESISTANCE:10M OHM MIN
 AT DC 300V PER MILLISECOND



Material requirements:ROHS

③	PVC 45P BLACK ROHS	10G
②	SATA 7P FEMALE (TER G/F PBT BLACK) ROHS	2PCS
①	UL21149 26AWG*2C*2+AL+4D OD:2.2*7.8mm BLUE	1PCS
NO.	DESCRIPTION	Q'TY

RoHS Compliant

TOLERANCES ARE



DRAWING BY CY

CHECKED BY GENIUS

UNIT / mm

SCALE 1:1

DATE

SIZE A4

X. ±

.X ±

.XX ±

.XXX ±

ANG ±

PJECTION

照片框

ORDER INFORMATION

SATAX2-7R7S26-F17C-LF

SERIES

LEADFREE

170mm

FEMALE TO FEMALE

26AWG

7 PIN 90° TO 7 PIN 180°

煜倫股份有限公司

www.morethanall.com

DESCRIPTION: SATA7P/7P 180/90 L=170MM