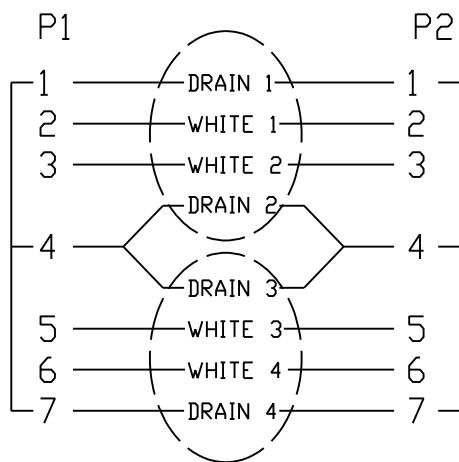


PIN ASSIGNMENT



3	HOOD: MOLDING 35P PVC BK	A/R	G
2	SERIAL ATA:7PIN/BK (MOLDING TYPE)	2	PCS
1	[(26*2C+AL/MY)+DRAIN*2]*2 Color: Red U2725 OR Equivalent	1	PCS
NO	DESCRIPTION	Q'TY	UNIT

**NOTE:**  
1.CABLE COLOR: RED

SATAx2-7R7R-E7C5-LF  
LEADFREE  
RoHS Compliant



PART NO. SATAx2-7R7R-E7C5

DWG NO. SATAx2-7R7R-E7C5

CHECKED BY CY

TOLERANCES ARE

DESCRIP TION:

**SERIAL ATA  
SIGNAL CABLE ASS'Y**

煜倫股份有限公司

FILE NO.

DRAWING BY

.X ± 0.2  
.XX ± 0.1  
.XXX ±  
AWG

AREA

REVISIONS

HK

DATE

UNIT / mm

SCALE 1:1

PROJECTION

