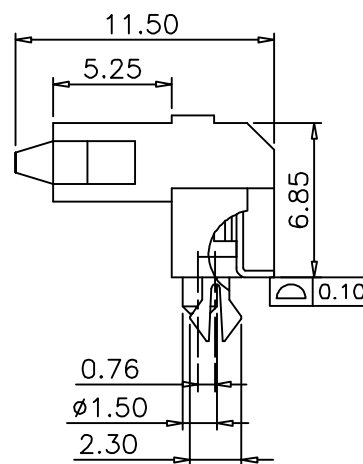
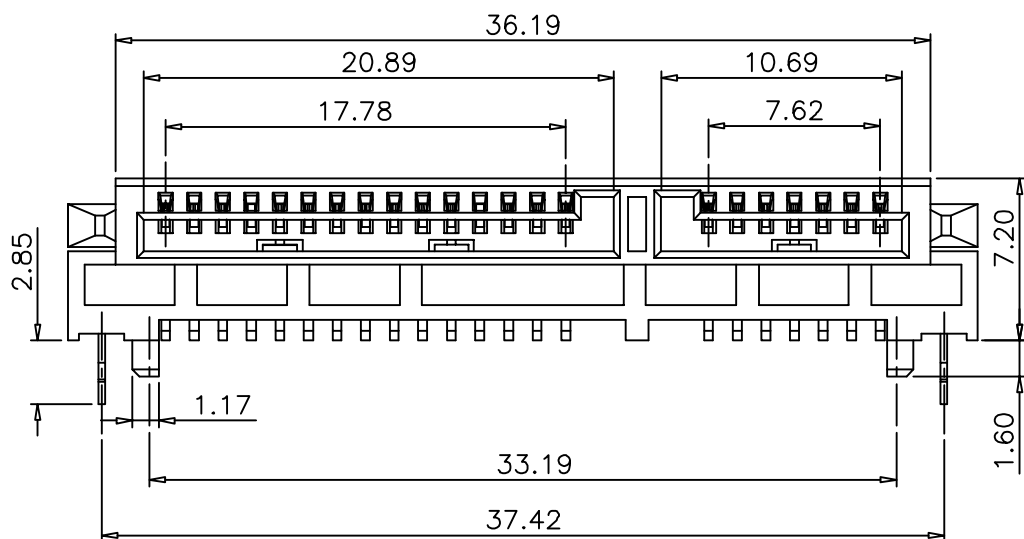


RECOMMENDED PCB LAYOUT



NOTE:

- 1.MATERIAL :  
 BASE : HIGH TEMPERATURE THERMOPLASTIC UL94V-0,  
 TERMINAL:COPPER ALLOY,THICKNESS = 0.30 mm  
 FORKLICK:COPPER ALLOY,THICKNESS = 0.30 mm
- 2.PLATING:  
 CONTACT:GOLD OVER 50u" MIN NICKEL UNDERPLATE  
 SOLDER TAIL:150u"MIN MISTY TIN 50u" MIN NICKEL UNDERPLATE  
 GOLD SPECIFICATION:SEE TABLE
- 3.ELECTRONICAL SPECIFICATION:  
 CURRENT RATING: 1.5 AMPERE PER CONTACT  
 CONTACT RESISTANCE: 30 MILLIOHMS MAX.  
 INSULATION RESISTANCE: 1000 MEGOHMS MIN.  
 DIELECTRIC WITHSTANDING VOLTAGE: 500 VAC.  
 OPERATING TEMPERATURE: -40°C~+85°C

RoHS Compliant

TOLERANCES ARE

**MORETHANALL**  
 PCB CONNECTORS  
 Cable ASSEMBLIES

煜倫股份有限公司

www.morethanall.com

DRAWING BY CY

CHECKED BY GENIUS

UNIT / mm SCALE 1 : 1

DATE

SIZE A4

X, ±  
 .X ± 0.30  
 .XX ± 0.25  
 .XXX ±  
 ANG ± 3°

P PROJECTION

照片框

ORDER INFORMATION

SATA-SWA068PZ-15+7-LF  
 SERIES | | | | | LEADFREE  
 FEMALE | | | | | CLIP  
 90°SMT | | | | | POST  
 | | | | | HIGH 6.8mm  
 | | | | | UPPER CONTACT

DESCRIPTION: SATA 22P SOCKET 上彈點 SMT