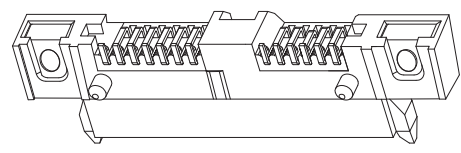
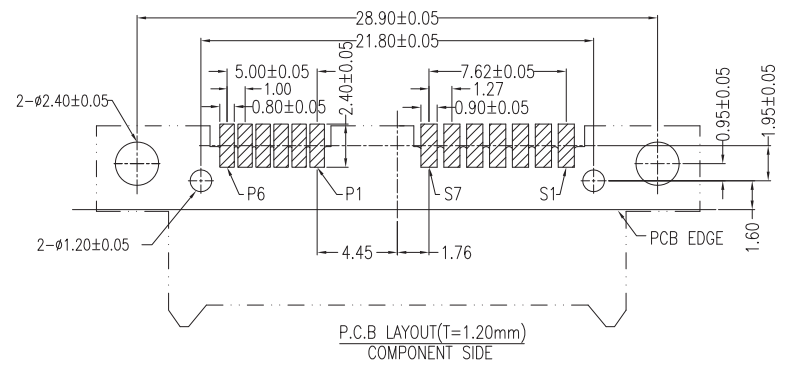
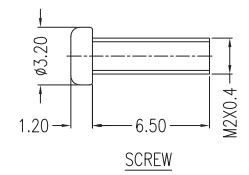
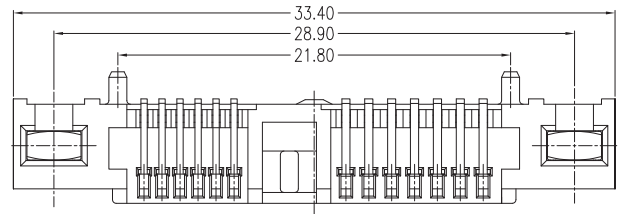
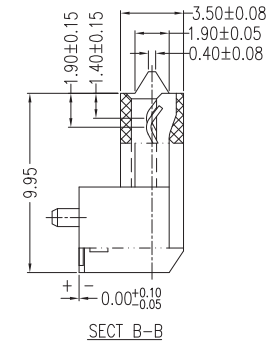
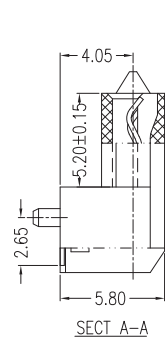
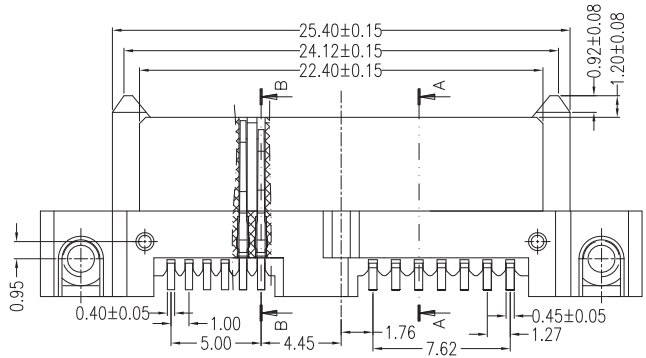


Pin No.	Signal Name	Pin No.	Power Line Designation
S1	GND	P1	DP
S2	A+	P2	+5V
S3	A-	P3	+5V
S4	GND	P4	MD
S5	B-	P5	GND
S6	B+	P6	GND
S7	GND		



Notes:
 *Material
 Housing: LCP+50%G.F, UL 94V-0 rated;Color: Black.
 Contact: Phosphor Bronze
 Plating: Au plating on contact area, Sn(100u" min.) plating on solder tail, Ni(40u" min.) underplating overall
 Screw: Fe Plating over Zn

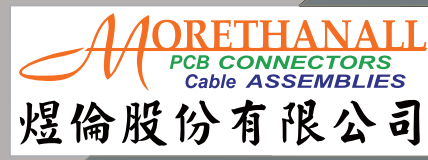
*Mechanical
 Insertion Force: 45N max.
 Withdrawal Force: 2.5N min.
 Durability: 500 cycles

*Electrical Specification
 Current Rating: 1.5 Ampere per contact
 Contact Resistance: 30mΩ max.
 Insulation Resistance: 1000MΩ min.
 Dielectric Withstanding Voltage: 500V AC

*Environmental
 Operating Temperature: -55°C to +85°C

RoHS Compliant

TOLERANCES ARE



DRAWING BY CY

CHECKED BY GENIUS

UNIT / mm SCALE 1 : 1

DATE

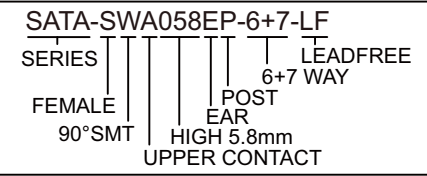
SIZE A4

X, ±
 .X ± 0.38
 .XX ± 0.25
 .XXX ± 0.20
 ANG ±

PJECTION

照片框

ORDER INFORMATION



DESCRIPTION: S ATA 7+6P 90° Female Screw SMT Type

www.morethanall.com