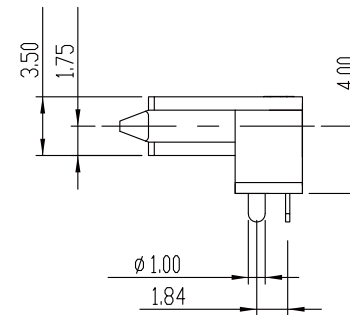
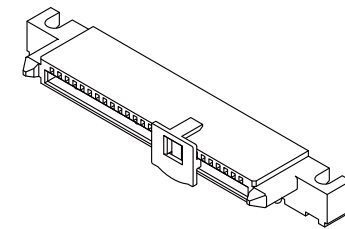


剖面圖 A-A



SPECIFICATION
 MATERIAL
 Insulator: Thermal Plastic UL94V-0
 Contacts: Copper Alloy
 CONTACT PLATING
 Underplate: 50u"~100u" Nickel
 Contact area: 3u" Selective gold
 Solder tails area: 100u"~200u" Tin(Lead Free)
 ELECTRICAL
 Operation voltage: 15 V
 Current rating: 1.5 Amps max.
 Contact resistance: 30 mohms initial
 Insulation resistance: 1000 Mohms min @ 500 VDC
 Dielectric withstanding voltage: 500 VAC / minute
 Temperature range: -35°C TO +85°C



RoHS Compliant

TOLERANCES ARE

MORETHANALL
 PCB CONNECTORS
 Cable ASSEMBLIES

煜倫股份有限公司

www.morethanall.com

DRAWING BY CY

CHECKED BY GENIUS

UNIT / mm SCALE 1 : 1

DATE

SIZE A4

X. ±
 .X ±
 .XX ±
 .XXX ±
 ANG ±

PJECTION

照片框

ORDER INFORMATION

SATA-SWA057EP-15+7-LF
 SERIES FEMALE 90°SMT
 POST EAR
 HIGH 5.75mm
 UPPER CONTACT
 LEADFREE
 15+7 WAY

DESCRIPTION: