

Signal Segment		Power Segment			
Name	Type	Name	Type	Name	Type
S1	GND	P1	V33	P9	V5
S2	A+	P2	V33	P10	GND
S3	A-	P3	V33	P11	DAS/DSS
S4	GND	P4	GND	P12	GND
S5	B-	P5	GND	P13	V12
S6	B+	P6	GND	P14	V12
S7	GND	P7	V5	P15	V12
		P8	V5		

Notes:

*Material

Housing: LCP+50%GF, UL 94V-0 rated;Color: Black.
 Contact: Phosphor Bronze
 Plating: Au Plating on contact area
 Sn(100u"Min) plating on solder Tail.
 Ni(40u"Min) contact underplating overall.

Harpoon: Brass
 Plating: Sn(100u"Min)Plating Over Ni(40u"Min)

*Mechanical

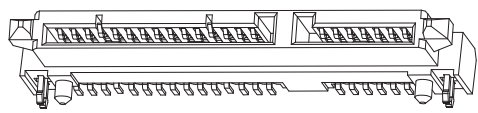
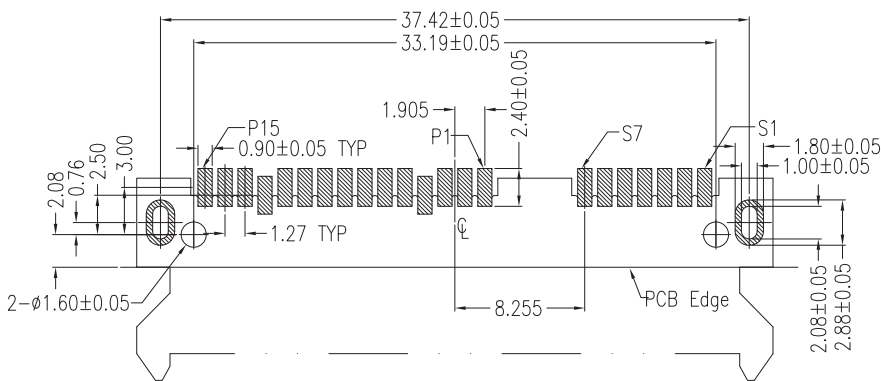
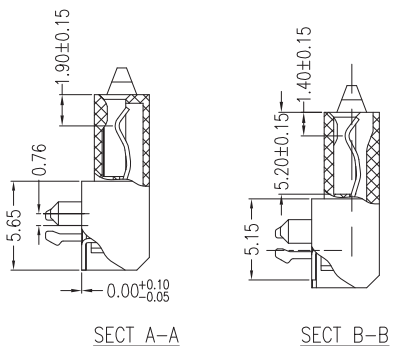
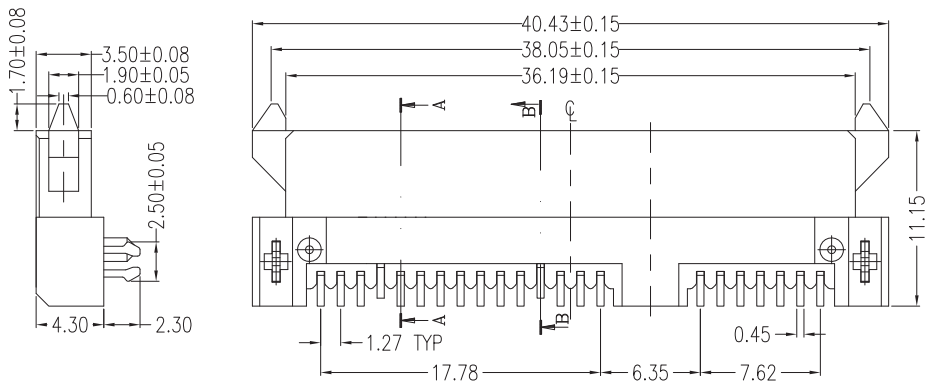
Insertion Force: 45N max.
 Withdrawal Force: 10N min.
 Durability: 500 cycles

*Electrical Specification

Current Rating: 1.5 Ampere per contact
 Contact Resistance: 30 mΩ Max.
 Insulation Resistance: 1000 MΩ Min.
 Dielectric Withstanding Voltage: 500 V AC

*Environmental

Operating Temperature: -55°C to +85°C



P.C.B LAYOUT (T=1.6mm)
COMPONENT SIDE

RoHS Compliant

TOLERANCES ARE



DRAWING BY CY

CHECKED BY GENIUS

UNIT / mm

SCALE 1 : 1

DATE

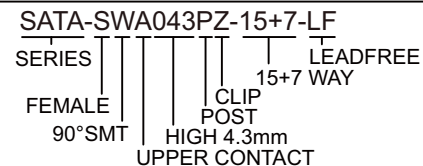
SIZE A4

PJECTION

X, ±
 .X ± 0.38
 .XX ± 0.25
 .XXX ± 0.20
 ANG ± 3°

照片框

ORDER INFORMATION



DESCRIPTION:

煜倫股份有限公司

www.morethanall.com