

NOTE:

- MATERIAL :
BASE : HIGH TEMPERATURE THERMOPLASTIC UL94V-0,
TERMINAL: COPPER ALLOY, THICKNESS = 0.30 mm
FORKLOCK: BRASS THICKNESS = 0.30 mm
- PLATING:
CONTACT: GOLD OVER 50u" MIN NICKEL UNDERPLATE
SOLDER TAIL: 150u" MIN MISTY TIN 50u" MIN NICKEL UNDERPLATE
GOLD SPECIFICATION: SEE TABLE
- ELECTRONICAL SPECIFICATION:
CURRENT RATING: 1.5 AMPERE PER CONTACT
CONTACT RESISTANCE: 30 MILLIOHMS MAX.
INSULATION RESISTANCE: 1000 MEGOHMS MIN.
DIELECTRIC WITHSTANDING VOLTAGE: 500 VAC.
OPERATING TEMPERATURE: -40°C ~ +85°C

TABLE

SATA-SWA38PZ-2+7+7	GOLD FLASH	LCP BLACK	GP	TUBE
PART NO.	PLATED	PLASTIC&COLOR	NOTE	PACKING

RoHS Compliant

TOLERANCES ARE

MORETHANALL
PCB CONNECTORS
Cable ASSEMBLIES

煜倫股份有限公司

www.morethanall.com

DRAWING BY CY

CHECKED BY GENIUS

UNIT / mm SCALE 1 : 1

DATE

SIZE A4

X, ±
.X ± 0.20
.XX ± 0.15
.XXX ±
ANG ± 3°

P PROJECTION

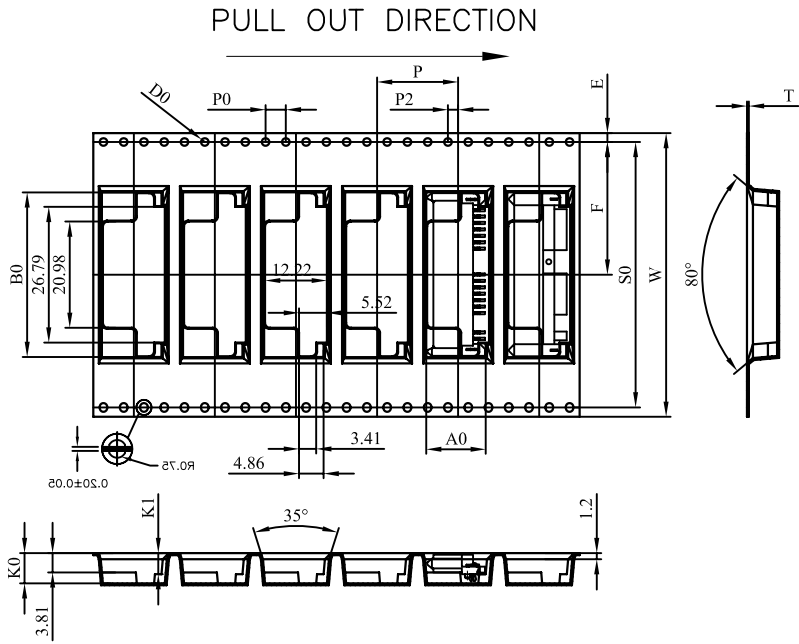
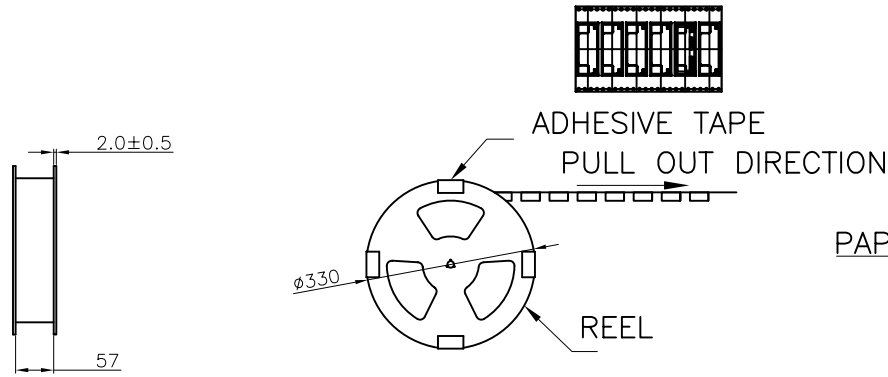
照片框

ORDER INFORMATION

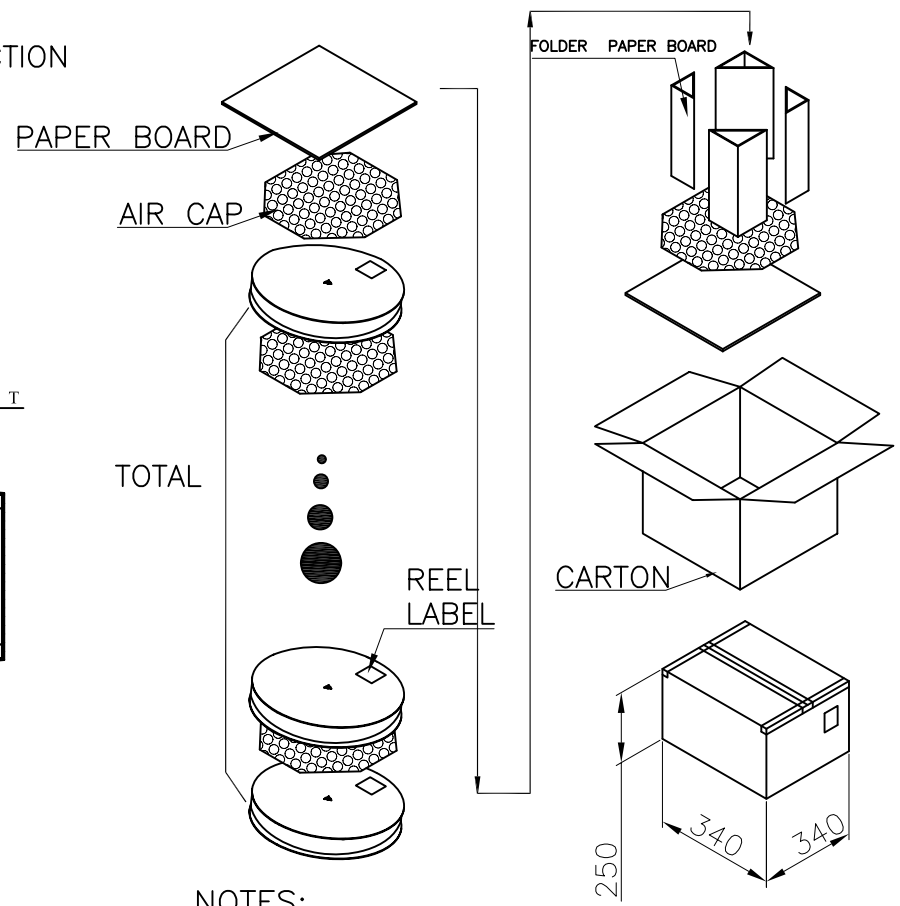
SATA-SWA038PZR-2+7+7-LF

SERIES | | | | | LEADFREE
2+7+7 WAY
REEL
POST+CLIP
FEMALE 90°SMT HIGH 3.85mm UPPER CONTACT

DESCRIPTION: USATA 16PIN母頭SMT



ITEM	W	A0	B0	K0	K1	P	F	E	S0	D0	D1	P0	P2	T
DIM	56.00±0.30	11.75±0.18	32.49±0.18	5.96±0.18	4.16±0.18	16.00±0.18	26.20±0.18	1.75±0.18	52.40±0.18	1.50±0.18	0.00±0.18	4.00±0.18	2.00±0.18	0.40±0.08



- NOTES:
 1.PRIMARY PACKING: 600PCS UNITS/REEL;
 2.SECONDARY PACKING: 4REELS/CARTON(2400PCS/CARTON);
 3.NET WEIGHT: 1.3g/PCS, 0.97kg/REEL, 9.34kg/CARTON;

RoHS Compliant

TOLERANCES ARE



DRAWING BY CY

CHECKED BY GENIUS

UNIT / mm SCALE 1 : 1

DATE

SIZE A4

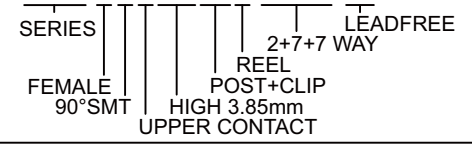
- X, ±
- .X ± 0.15
- .XX ± 0.10
- .XXX ±
- ANG ± 1°

PJECTION

照片框

ORDER INFORMATION

SATA-SWA038PZR-2+7+7-LF



DESCRIPTION: USATA 16PIN母頭SMT

煜倫股份有限公司

www.morethanall.com