

NOTES:

*Material

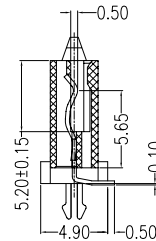
- Housing: LCP, UL 94V-0 rated;
- Color: Black.
- Contact: Phosphor Bronze
- Clip: Brass
- Plating: Gold Plating over Nickel on contact area;
- Tin plating on solder Tail.

*Electrical Specification

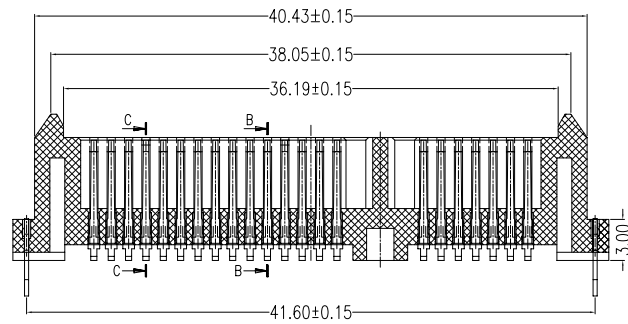
- Operation Voltage: 100 VAC max.
- Current Rating: 1.5 Ampere per contact
- Resistance: 30 Milliohms max.
- Insulation Resistance: 1000 Megohms min.
- Dielectric Withstanding Voltage: 500 VAC

*Environmental

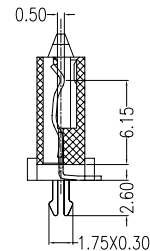
- Operating Temperature: -55°C to +125°C



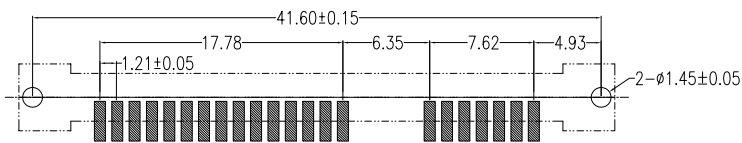
SECT B-B



SECT A-A



SECT C-C



P.C.B LAYOUT
TOP VIEW

RoHS Compliant

TOLERANCES ARE

MORETHANALL
PCB CONNECTORS
Cable ASSEMBLIES

DRAWING BY CY

X, ±

CHECKED BY GENIUS

.X ±

UNIT / mm

SCALE 1 : 1

.XXX ±

DATE

ANG ±

SIZE A4

PJECTION

照片框

ORDER INFORMATION

SATA-SV09Z-15+7-LF

SERIES | | | | LEADFREE
15+7 WAY
CLIP
HIGH 9.0mm
180°SMT
FEMALE

煜倫股份有限公司

www.morethanall.com

DESCRIPTION: WATS SATA7+15P REVERSE SMT FEMALE