

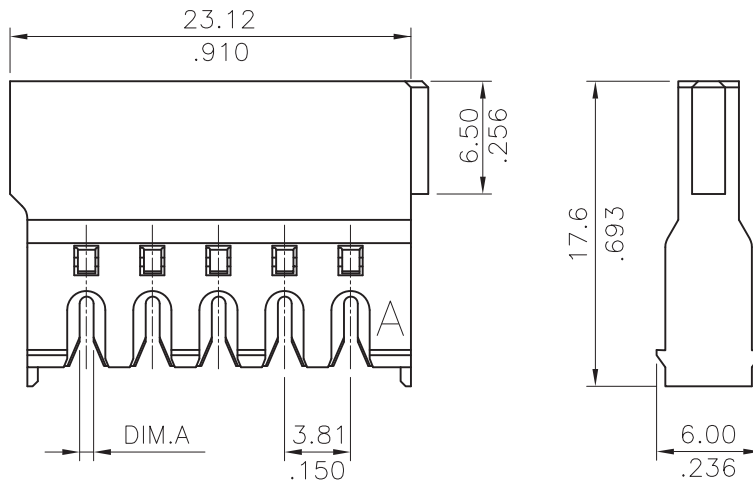
Material:

- * Insulation: PBT+15%GF. UL 94V-0 COLOR BLACK
- * Contact: Phosphor Bronze

Halogen-Free

Plated: Selective Gold flash plated over 1.27 μ m(50 μ) Nickel

P/N	DIM.A	Accept wire gage
SATA-ST18-15	0.75	AWG #18



RoHS Compliant

TOLERANCES ARE

MORETHANALL
PCB CONNECTORS
Cable ASSEMBLIES

DRAWING BY CY

CHECKED BY GENIUS

UNIT / mm

SCALE 1:1

DATE

SIZE A4

PJECTION

X. \pm
.X \pm 0.30
.XX \pm 0.20
.XXX \pm 0.10
ANG \pm

照片框

ORDER INFORMATION

SATA-ST18-15-LF
SERIES | | | LEADFREE
| | | 15 WAY
| | | 18 AWG
| | | IDT
| | | FEMALE

煜倫股份有限公司

www.morethanall.com

DESCRIPTION: