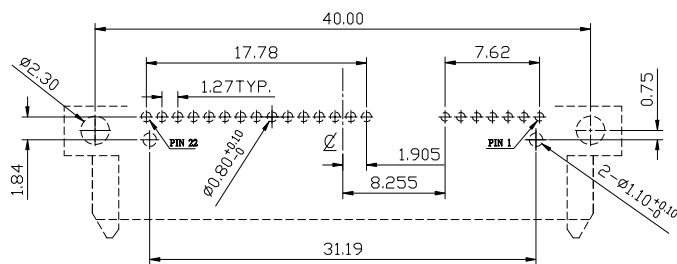
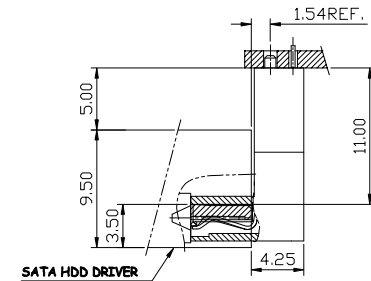
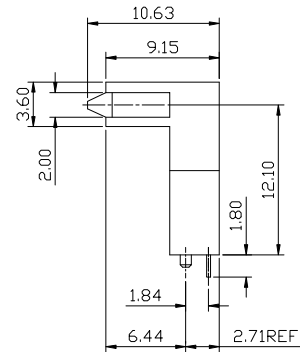
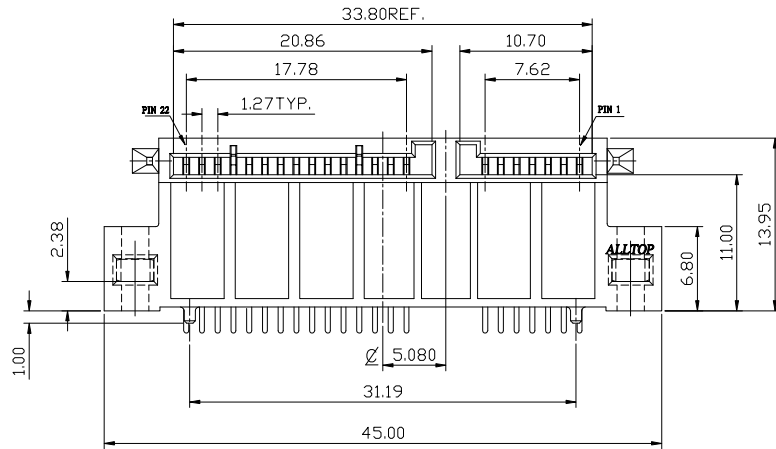
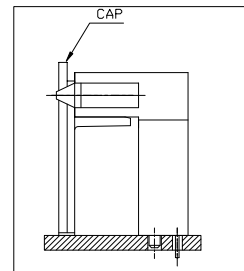


NOTES:
 1. MATERIAL :
 INSULATOR : LCP , 30% GLASS FILLED , UL 94 V-0 RATED OR OTHER EQUIVALENT HIGH TEMP RESINS .
 CONTACT : PHOSPHOR BRONZE,JIS C5210 R-EH, T=0.30±0.01mm.

2. FINISH :
 CONTACTS : GOLD PLATING IN THE CONTACT AREA AND SELECT PLATING IN THE SOLDER TAIL AREA, WITH 50u"(min.)NICKEL UNDERPLATING OVERALL.
 METAL CLIP:
 100u" (min) TIN PLATING WITH 50U"(min) NICKEL PLATING OVERALL.



RECOMMEND P.C.B. LAYOUT (component side)
 DEFAULT TOLERANCES:±0.05; PCB THICKNESS : 1.2MM



禁用環境管理物質如下.....等:
 a.鎳及鎳化合物, b.鉛及鉛化合物, c.汞及汞化合物, d.六價鉻化合物, e.多溴聯苯, 多溴聯苯醚, f.有機氟化合物, g.有機錫化合物,
 h.石棉, i.偶氮化合物, j.甲醛, k.聚乙烯混合物, l.臭氧危害物質, m.放射性物質。

RoHS Compliant

TOLERANCES ARE

MORETHANALL
 PCB CONNECTORS
 Cable ASSEMBLIES

煜倫股份有限公司

www.morethanall.com

DRAWING BY CY

CHECKED BY GENIUS

UNIT / mm

SCALE 1 : 1

DATE

SIZE A4

X, ±

.X ±

.XX ±

.XXX ±

ANG ±

PJECTION

照片框

ORDER INFORMATION

SATA-SRA139M2P-15+7-LF

SERIES LEADFREE

22 WAY

POST M2X0.4

FEMALE HIGH 13.95mm

DIP 90° UPPER CONTACT

DESCRIPTION: SATA HDD RECEPTACLE H=12.1 REV.